

## Pick-off terminal block - AK 16 - 0404033

Please be informed that the data shown in this PDF Document is generated from our Online Catalog. Please find the complete data in the user's documentation. Our General Terms of Use for Downloads are valid (<http://download.phoenixcontact.com>)



Pick-off terminal block, Connection method Screw connection, Load current : 76 A, Cross section: 1.5 mm<sup>2</sup> - 16 mm<sup>2</sup>, Width: 9.8 mm, Color: silver

### Key commercial data

<b>package_quantity</b>	50
<b>GTIN</b>	4017918001858

### Technical data

#### General

<b>Color</b>	silver
<b>Insulating material</b>	PA
<b>Inflammability class according to UL 94</b>	V2

#### General

<b>Maximum load current</b>	76 A (with 16 mm <sup>2</sup> conductor cross section)
<b>Nominal current I<sub>N</sub></b>	76 A

#### Dimensions

<b>Length</b>	23.5 mm
<b>Width</b>	9.8 mm

#### Connection data

<b>Conductor cross section solid min.</b>	1.5 mm <sup>2</sup>
<b>Conductor cross section solid max.</b>	16 mm <sup>2</sup>
<b>Conductor cross section stranded min.</b>	1.5 mm <sup>2</sup>
<b>Conductor cross section stranded max.</b>	16 mm <sup>2</sup>
<b>Conductor cross section AWG/kcmil min.</b>	16
<b>Conductor cross section AWG/kcmil max</b>	6
<b>Conductor cross section stranded, with ferrule without plastic sleeve min.</b>	1.5 mm <sup>2</sup>
<b>Conductor cross section stranded, with ferrule without plastic sleeve max.</b>	16 mm <sup>2</sup>
<b>Conductor cross section stranded, with ferrule with plastic sleeve min.</b>	1.5 mm <sup>2</sup>
<b>Conductor cross section stranded, with ferrule with plastic sleeve max.</b>	16 mm <sup>2</sup>
<b>2 conductors with same cross section, solid min.</b>	1.5 mm <sup>2</sup>

## Pick-off terminal block - AK 16 - 0404033

### Technical data

#### Connection data

2 conductors with same cross section, solid max.	6 mm <sup>2</sup>
2 conductors with same cross section, stranded min.	1.5 mm <sup>2</sup>
2 conductors with same cross section, stranded max.	6 mm <sup>2</sup>
2 conductors with same cross section, stranded, ferrules without plastic sleeve, min.	1.5 mm <sup>2</sup>
2 conductors with same cross section, stranded, ferrules without plastic sleeve, max.	6 mm <sup>2</sup>
2 conductors with same cross section, stranded, TWIN ferrules with plastic sleeve, min.	1.5 mm <sup>2</sup>
2 conductors with same cross section, stranded, TWIN ferrules with plastic sleeve, max.	10 mm <sup>2</sup>
Connection method	Screw connection
Stripping length	16 mm
Screw thread	M5
Tightening torque, min	2.5 Nm
Tightening torque max	3 Nm

### classifications

#### eCl@ss

eCl@ss 4.0	27141131
eCl@ss 4.1	27141131
eCl@ss 5.0	27141131
eCl@ss 5.1	27141131
eCl@ss 6.0	27141120
eCl@ss 7.0	27141120
eCl@ss 8.0	27141120

#### ETIM

ETIM 2.0	EC000897
ETIM 3.0	EC000897
ETIM 4.0	EC000897
ETIM 5.0	EC000897

#### UNSPSC

UNSPSC 6.01	30211811
UNSPSC 7.0901	39121410
UNSPSC 11	39121410
UNSPSC 12.01	39121410
UNSPSC 13.2	39121410

### approvals

# Pick-off terminal block - AK 16 - 0404033

approvals

---

Approval details



accessories

## Support

UAB 1 - 3032431



---

ABN 2/SS - 0404460



---

AB2/SS - 0404431



---

AB/SS - 0404428



## Pick-off terminal block - AK 16 - 0404033

accessories

### Screwdriver tools

SZS 1,0X4,0 VDE - 1205066



SZS 1,0X6,5 VDE - 1205079



### Neutral conductor rail

NLS-CU 3/10 SN 1000MM - 0402174



### Terminal marking

ZB 6:UNBEDRUCKT - 1051003



UC-TM 6 - 0818085



## Pick-off terminal block - AK 16 - 0404033

accessories

UCT-TM 6 - 0828736



---

### Labeled terminal marker

ZB 6 CUS - 0824992



---

ZB 6,LGS:FORTL.ZAHLEN - 1051016



---

ZB 6,QR:FORTL.ZAHLEN - 1051029



---

ZB 6,LGS:GLEICHE ZAHLEN - 1051032



## Pick-off terminal block - AK 16 - 0404033

### accessories

ZB 6,LGS:L1-N,PE - 1051414



ZB 6,LGS:U-N - 1051430



UC-TM 6 CUS - 0824589



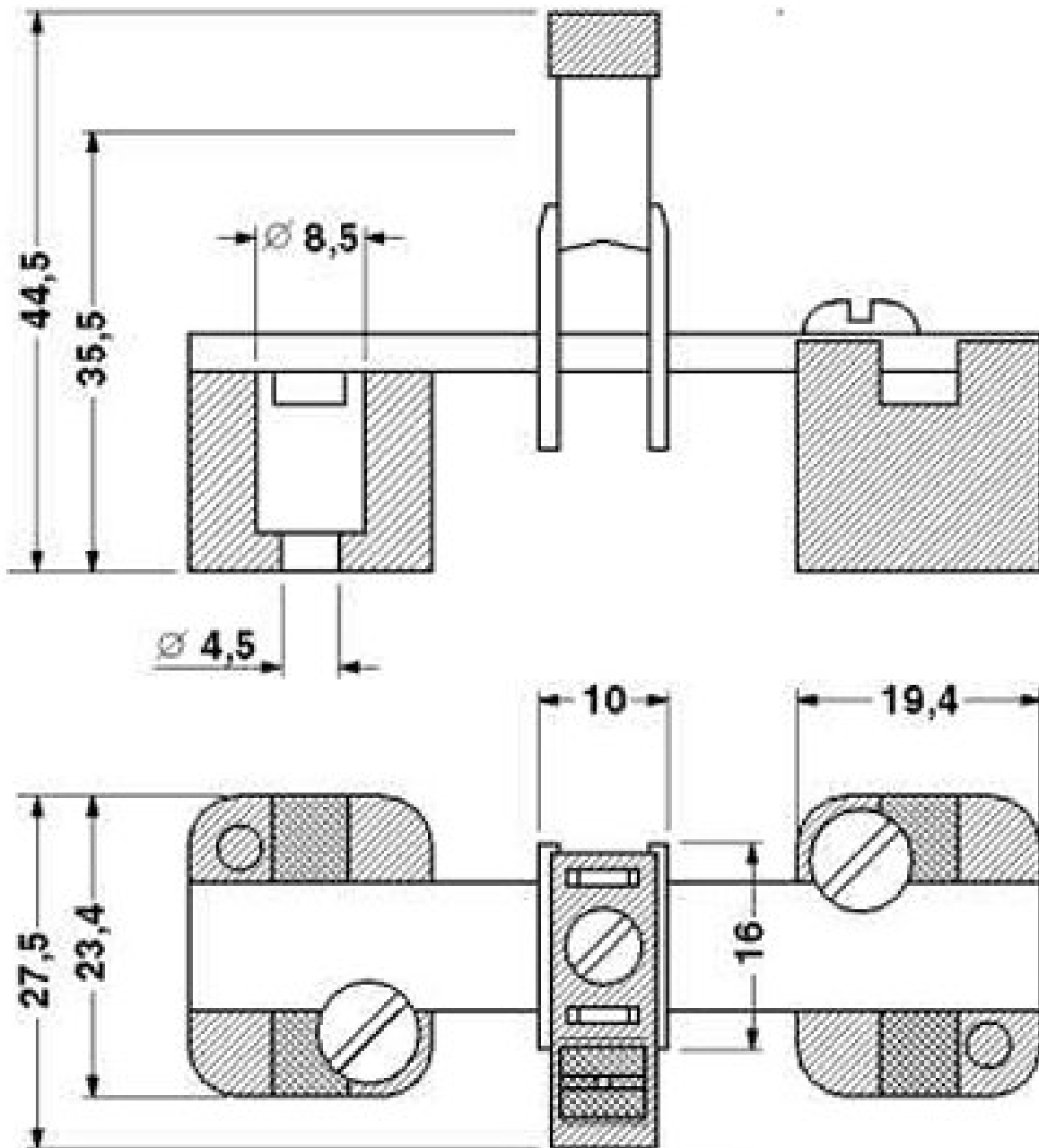
UCT-TM 6 CUS - 0829602



### Drawings

# Pick-off terminal block - AK 16 - 0404033

Dimensioned drawing



# Pick-off terminal block - AK 16 - 0404033

Dimensioned drawing

