

Female insert - HCC 4-F - 1600001

Please be informed that the data shown in this PDF Document is generated from our Online Catalog. Please find the complete data in the user's documentation. Our General Terms of Use for Downloads are valid (<http://download.phoenixcontact.com>)



Female insert, Connection method: Screw connection, Cross section: 0.2 mm² - 4 mm², AWG: 24 - 12, Width: 92 mm, Height: 18 mm, Color: gray, Mounting type: Screw mounting

Product Features

- Sturdy strain relief for plug and socket
- Touch proof, even when unplugged

Key commercial data

package_quantity	50
GTIN	4017918021733

Technical data

General

Number of levels	1
Number of connections	10
Color	gray
Insulating material	PA
Inflammability class according to UL 94	V2

General

Maximum load current	25 A (with 4 mm ² conductor cross section)
Rated surge voltage	6 kV
Pollution degree	3
Surge voltage category	III
Insulating material group	I
Connection in acc. with standard	IEC 61984
Nominal current I_N	25 A
Nominal voltage U_N	500 V
Open side panel	nein

Dimensions

Width	92 mm
Length	31.5 mm
Height	18 mm
Drill hole spacing	83.00 mm

Female insert - HCC 4-F - 1600001

Technical data

Connection data

Connection in acc. with standard	IEC 61984
Connection method	Screw connection
Conductor cross section solid min.	0.2 mm ²
Conductor cross section solid max.	4 mm ²
Conductor cross section AWG/kcmil min.	24
Conductor cross section AWG/kcmil max	12
Conductor cross section stranded min.	0.2 mm ²
Conductor cross section stranded max.	4 mm ²
Min. AWG conductor cross section, stranded	24
Max. AWG conductor cross section, stranded	12
Conductor cross section stranded, with ferrule without plastic sleeve min.	0.25 mm ²
Conductor cross section stranded, with ferrule without plastic sleeve max.	4 mm ²
Conductor cross section stranded, with ferrule with plastic sleeve min.	0.25 mm ²
Conductor cross section stranded, with ferrule with plastic sleeve max.	4 mm ²
2 conductors with same cross section, solid min.	0.2 mm ²
2 conductors with same cross section, solid max.	2.5 mm ²
2 conductors with same cross section, stranded min.	0.2 mm ²
2 conductors with same cross section, stranded max.	2.5 mm ²
2 conductors with same cross section, stranded, TWIN ferrules with plastic sleeve, min.	0.5 mm ²
2 conductors with same cross section, stranded, TWIN ferrules with plastic sleeve, max.	2.5 mm ²
2 conductors with same cross section, stranded, ferrules without plastic sleeve, min.	0.25 mm ²
2 conductors with same cross section, stranded, ferrules without plastic sleeve, max.	1.5 mm ²
Stripping length	7 mm
Internal cylindrical gage	A4
Screw thread	M3
Tightening torque, min	0.5 Nm
Tightening torque max	0.6 Nm

classifications

eCl@ss

eCl@ss 4.0	27141131
eCl@ss 4.1	27141131
eCl@ss 5.0	27141131
eCl@ss 5.1	27141131
eCl@ss 6.0	27141120

Female insert - HCC 4-F - 1600001

classifications

eCl@ss

eCl@ss 7.0	27141120
eCl@ss 8.0	27149149

ETIM

ETIM 2.0	EC000897
ETIM 3.0	EC000897
ETIM 4.0	EC000796
ETIM 5.0	EC000796

UNSPSC

UNSPSC 6.01	30211811
UNSPSC 7.0901	39121410
UNSPSC 11	39121410
UNSPSC 12.01	39121410
UNSPSC 13.2	39121410

approvals

CSA / UL Recognized / LR / GL / DNV / GOST / GOST /

Approval details

Nominal voltage UN	300 V
Nominal current IN	20 A
mm ² /AWG/kcmil	28-10

Usegroups	B	C	
Nominal voltage UN	250 V	300 V	300 V
Nominal current IN	20 A	20 A	20 A
mm ² /AWG/kcmil	30-10	30-10	30-10

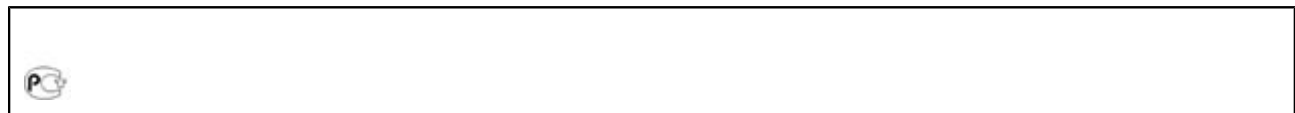
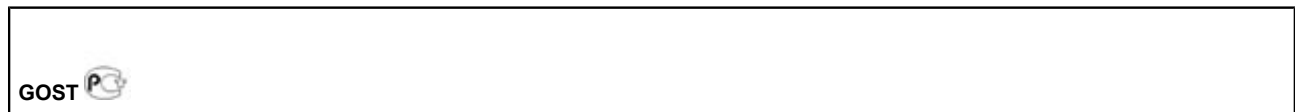
LR	
Nominal voltage UN	500 V
Nominal current IN	25 A
mm ² /AWG/kcmil	4

Female insert - HCC 4-F - 1600001

approvals

GL	
Nominal voltage UN	500 V
Nominal current IN	25 A
mm ² /AWG/kcmil	4

DNV



accessories

Screwdriver tools

SZS 0,6X3,5 - 1205053



Support

HCC 4-FE - 1600069



Coding element

Female insert - HCC 4-F - 1600001

accessories

CP-HCC 4 - 1600027



Strain relief

HCC 4-SR - 3100224



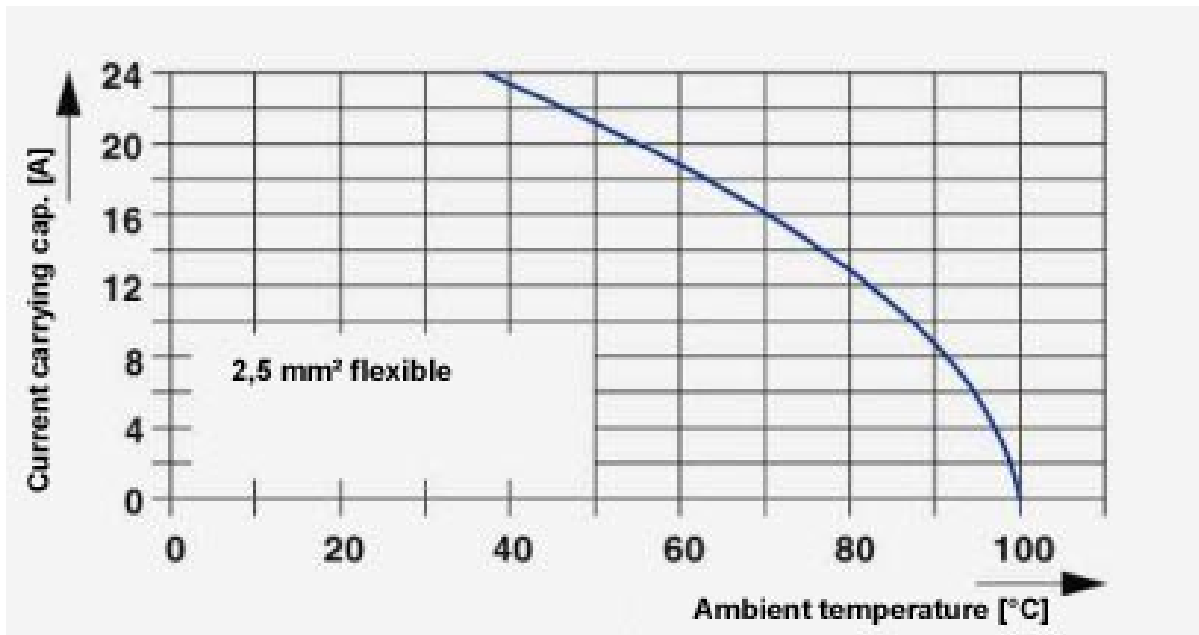
accessories

BNB-HCC 4 - 1600056

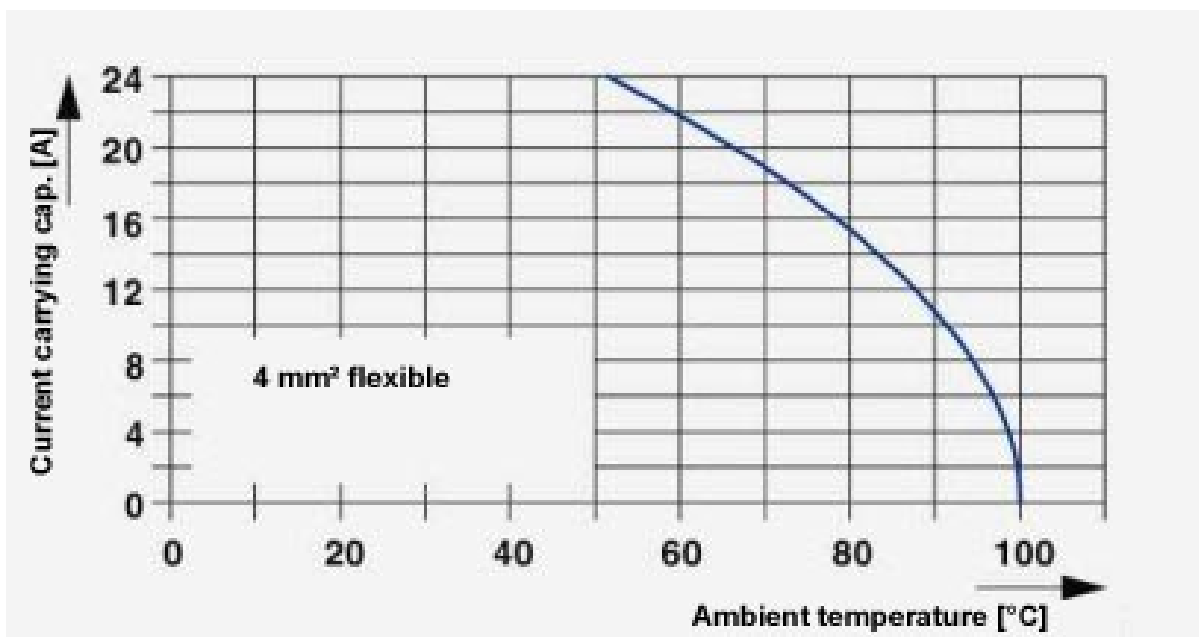
Drawings

Female insert - HCC 4-F - 1600001

Diagram

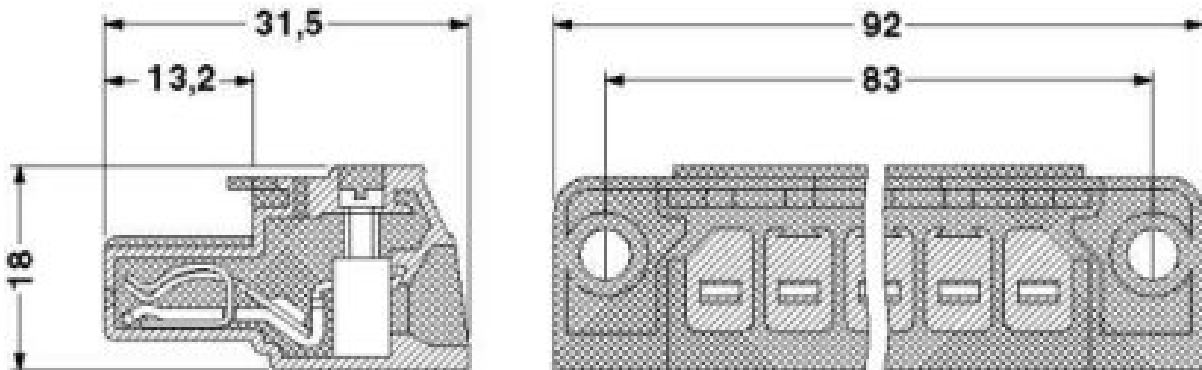


Diagram



Female insert - HCC 4-F - 1600001

Dimensioned drawing



© Phoenix Contact 2014 - all rights reserved
<http://www.phoenixcontact.com>