

Feed-through terminal block - UT 2,5/1P - 3045017

Please be informed that the data shown in this PDF Document is generated from our Online Catalog. Please find the complete data in the user's documentation. Our General Terms of Use for Downloads are valid (<http://download.phoenixcontact.com>)



Feed-through terminal block, Connection method: Screw/plug-in connection, Cross section: 0.14 mm² - 4 mm², AWG: 26 - 12, Width: 5.2 mm, Color: gray, Mounting type: NS 35/7,5, NS 35/15

Product Features

- Terminal blocks that can be connected on both sides available
- Compatible with standard UT terminal blocks
- Uniform, touch-proof plug-in zone

Key commercial data

package_quantity	50
GTIN	4017918975357

Technical data

General

Number of levels	1
Number of connections	2
Color	gray
Insulating material	PA
Inflammability class according to UL 94	V0

General

Maximum load current	24 A
Rated surge voltage	6 kV
Pollution degree	3
Surge voltage category	III
Insulating material group	I
Connection in acc. with standard	IEC 61984
Nominal current I_N	24 A
Nominal voltage U_N	500 V
Open side panel	ja

Dimensions

Width	5.2 mm
Length	47.6 mm
Height NS 35/7,5	47.5 mm

Feed-through terminal block - UT 2,5/1P - 3045017

Technical data

Dimensions

Height NS 35/15	55 mm
-----------------	-------

Connection data

Connection in acc. with standard	IEC 61984
Connection method	Screw/plug-in connection
Conductor cross section solid min.	0.14 mm ²
Conductor cross section solid max.	4 mm ²
Conductor cross section AWG/kcmil min.	26
Conductor cross section AWG/kcmil max	12
Conductor cross section stranded min.	0.14 mm ²
Conductor cross section stranded max.	4 mm ²
Min. AWG conductor cross section, stranded	26
Max. AWG conductor cross section, stranded	12
Conductor cross section stranded, with ferrule without plastic sleeve min.	0.14 mm ²
Conductor cross section stranded, with ferrule without plastic sleeve max.	2.5 mm ²
Conductor cross section stranded, with ferrule with plastic sleeve min.	0.14 mm ²
Conductor cross section stranded, with ferrule with plastic sleeve max.	2.5 mm ²
2 conductors with same cross section, solid min.	0.14 mm ²
2 conductors with same cross section, solid max.	1.5 mm ²
2 conductors with same cross section, stranded min.	0.14 mm ²
2 conductors with same cross section, stranded max.	1.5 mm ²
2 conductors with same cross section, stranded, TWIN ferrules with plastic sleeve, min.	0.5 mm ²
2 conductors with same cross section, stranded, TWIN ferrules with plastic sleeve, max.	1.5 mm ²
2 conductors with same cross section, stranded, ferrules without plastic sleeve, min.	0.14 mm ²
2 conductors with same cross section, stranded, ferrules without plastic sleeve, max.	1.5 mm ²
Stripping length	9 mm
Internal cylindrical gage	A3
Screw thread	M3
Tightening torque, min	0.5 Nm
Tightening torque max	0.6 Nm

classifications

eCl@ss

eCl@ss 4.0	27141117
eCl@ss 4.1	27141117
eCl@ss 5.0	27141120

Feed-through terminal block - UT 2,5/1P - 3045017

classifications

eCl@ss

eCl@ss 5.1	27141120
eCl@ss 6.0	27141120
eCl@ss 7.0	27141120
eCl@ss 8.0	27141120

ETIM

ETIM 2.0	EC000897
ETIM 3.0	EC000897
ETIM 4.0	EC000897
ETIM 5.0	EC000897


UNSPSC

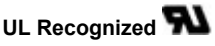
UNSPSC 6.01	30211811
UNSPSC 7.0901	39121410
UNSPSC 11	39121410
UNSPSC 12.01	39121410
UNSPSC 13.2	39121410

approvals

CSA / UL Recognized / cUL Recognized / cULus Recognized /

Approval details

		
Usegroups	B	C
Nominal voltage UN	300 V	300 V
Nominal current IN	20 A	20 A
mm ² /AWG/kcmil	26-12	26-12

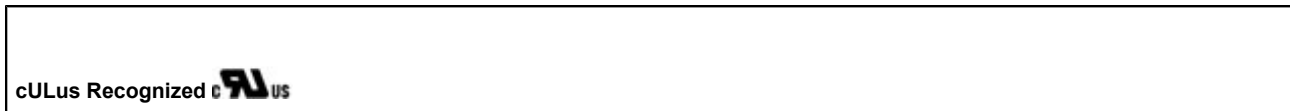
	
Nominal voltage UN	300 V
Nominal current IN	20 A
mm ² /AWG/kcmil	26-12

	
---	--

Feed-through terminal block - UT 2,5/1P - 3045017

approvals

Nominal voltage UN	300 V
Nominal current IN	20 A
mm ² /AWG/kcmil	26-12



accessories

End cover

D-UT 2,5/1P - 3047154



DP PS-5 - 3036725



Partition plate

ATP-UT - 3047167



Screwdriver tools

SZS 0,6X3,5 - 1205053



Feed-through terminal block - UT 2,5/1P - 3045017

accessories

Marker pen

X-PEN 0,35 - 0811228



Coding element

PC - 3040588



Flange

UT 2,5/1P-F - 3060445



Bridge

FBS 2-5 - 3030161



Feed-through terminal block - UT 2,5/1P - 3045017

accessories

FBS 3-5 - 3030174



FBS 4-5 - 3030187



FBS 5-5 - 3030190



FBS 10-5 - 3030213



FBS 20-5 - 3030226



FBS 50-5 - 3038930



Feed-through terminal block - UT 2,5/1P - 3045017

accessories

FBSR 2-5 - 3033702



FBSR 3-5 - 3001591



FBSR 4-5 - 3001592



FBSR 5-5 - 3001593



FBSR 10-5 - 3033710



Feed-through terminal block - UT 2,5/1P - 3045017

accessories

RB UT 10-(2,5/4) - 3047060



Mounting rail

NS 35/ 7,5 PERF 2000MM - 0801733



NS 35/ 7,5 UNPERF 2000MM - 0801681



NS 35/ 7,5 WH PERF 2000MM - 1204119



NS 35/ 7,5 WH UNPERF 2000MM - 1204122



Feed-through terminal block - UT 2,5/1P - 3045017

accessories

NS 35/ 7,5 AL UNPERF 2000MM - 0801704



NS 35/ 7,5 ZN PERF 2000MM - 1206421



NS 35/ 7,5 ZN UNPERF 2000MM - 1206434



NS 35/ 7,5 CU UNPERF 2000MM - 0801762



NS 35/ 7,5 CAP - 1206560



NS 35/15 PERF 2000MM - 1201730



Feed-through terminal block - UT 2,5/1P - 3045017

accessories

NS 35/15 UNPERF 2000MM - 1201714



NS 35/15 WH PERF 2000MM - 0806602



NS 35/15 WH UNPERF 2000MM - 1204135



NS 35/15 AL UNPERF 2000MM - 1201756



NS 35/15 ZN PERF 2000MM - 1206599



Feed-through terminal block - UT 2,5/1P - 3045017

accessories

NS 35/15 ZN UNPERF 2000MM - 1206586



NS 35/15 CU UNPERF 2000MM - 1201895



NS 35/15 CAP - 1206573



NS 35/15-2,3 UNPERF 2000MM - 1201798



Terminal marking

ZB 5 :UNBEDRUCKT - 1050004



Feed-through terminal block - UT 2,5/1P - 3045017

accessories

UC-TM 5 - 0818108



UCT-TM 5 - 0828734



Labeled terminal marker

ZB 5 CUS - 0824962



ZB 5,LGS:FORTL.ZAHLEN - 1050017



ZB 5,QR:FORTL.ZAHLEN - 1050020



Feed-through terminal block - UT 2,5/1P - 3045017

accessories

ZB 5,LGS:GLEICHE ZAHLEN - 1050033



ZB 5,LGS:L1-N,PE - 1050415



UC-TM 5 CUS - 0824581



UCT-TM 5 CUS - 0829595



Test plug terminal block

MPS-MT - 0201744



Feed-through terminal block - UT 2,5/1P - 3045017

accessories

PAI-4-FIX-5/6 BU - 3035975



PAI-4-FIX-5/6 OG - 3035974



PAI-4-FIX-5/6 YE - 3035977



PAI-4-FIX-5/6 RD - 3035976



PAI-4-FIX-5/6 GN - 3035978



PAI-4-FIX-5/6 BK - 3035980



Feed-through terminal block - UT 2,5/1P - 3045017

accessories

PAI-4-FIX-5/6 GY - 3035982



PAI-4-FIX-5/6 VT - 3035979



PAI-4-FIX-5/6 BN - 3035981



PS-5 - 3030983



PS-5/2,3MM RD - 3038723



Insulating sleeve

Feed-through terminal block - UT 2,5/1P - 3045017

accessories

MPS-IH WH - 0201663



MPS-IH RD - 0201676



MPS-IH BU - 0201689



MPS-IH YE - 0201692



MPS-IH GN - 0201702



MPS-IH GY - 0201728



Feed-through terminal block - UT 2,5/1P - 3045017

accessories

MPS-IH BK - 0201731



End block

CLIPFIX 35 - 3022218



CLIPFIX 35-5 - 3022276



E/NS 35 N - 0800886



Front adapter

VIP-PA-PWR/2X10COMBI/ 0,5M/S7 - 2904713



Feed-through terminal block - UT 2,5/1P - 3045017

accessories

VIP-PA-PWR/2X10COMBI/ 1,0M/S7 - 2904714



VIP-PA-PWR/2X10COMBI/ 1,5M/S7 - 2904715



VIP-PA-PWR/2X10COMBI/ 2,0M/S7 - 2904716



VIP-PA-PWR/2X10COMBI/ 2,5M/S7 - 2904717



VIP-PA-PWR/2X10COMBI/ 3,0M/S7 - 2904718



VIP-PA-PWR/2X10COMBI/10,0M/S7 - 2904723



Feed-through terminal block - UT 2,5/1P - 3045017

accessories

VIP-PA-PWR/4X10COMBI/ 0,5M/S7 - 2904702



VIP-PA-PWR/4X10COMBI/ 1,0M/S7 - 2904703



VIP-PA-PWR/4X10COMBI/ 1,5M/S7 - 2904704



VIP-PA-PWR/4X10COMBI/ 2,0M/S7 - 2904705



VIP-PA-PWR/4X10COMBI/ 2,5M/S7 - 2904706



Feed-through terminal block - UT 2,5/1P - 3045017

accessories

VIP-PA-PWR/4X10COMBI/ 3,0M/S7 - 2904707



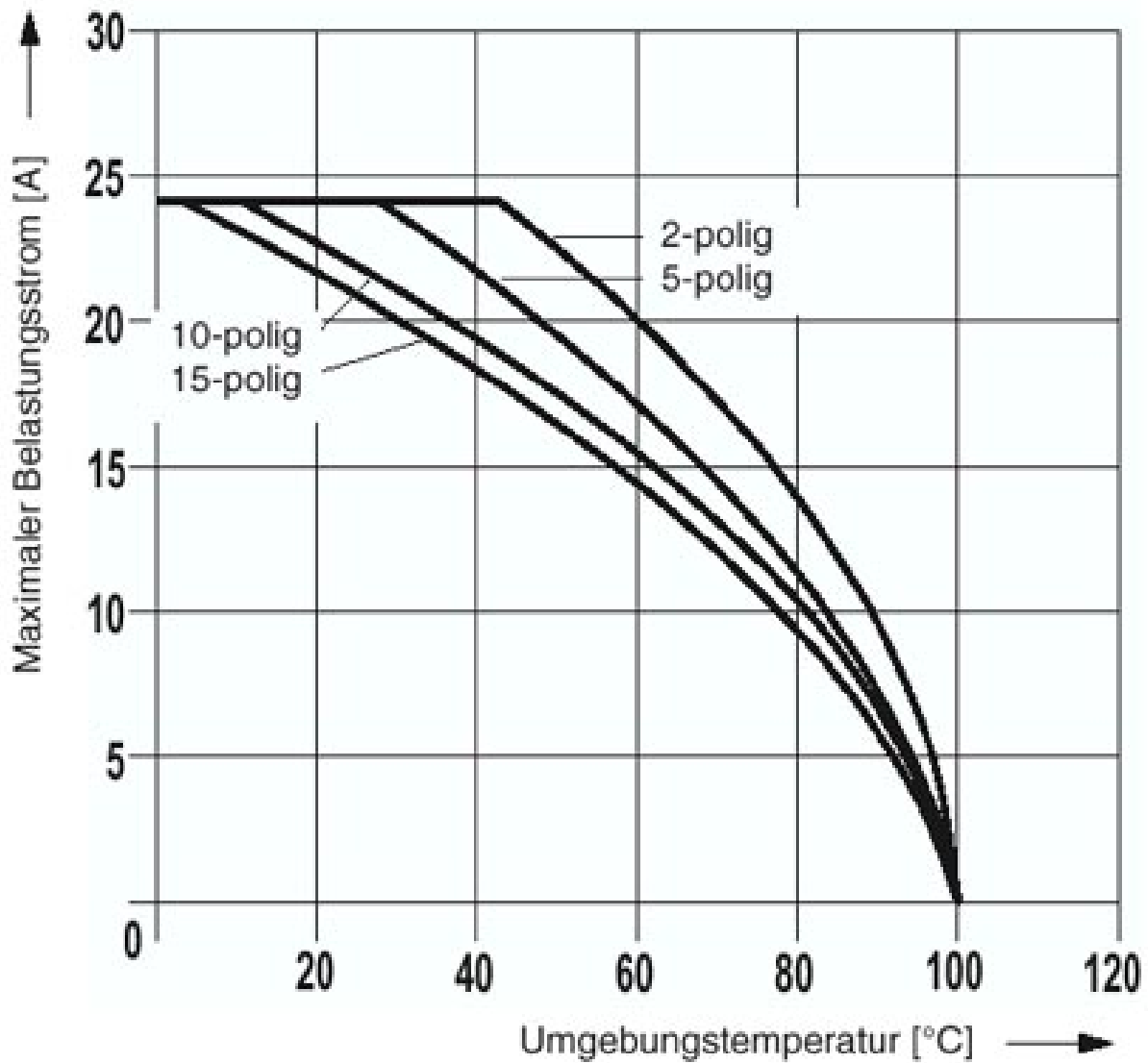
VIP-PA-PWR/4X10COMBI/10,0M/S7 - 2904712



Drawings

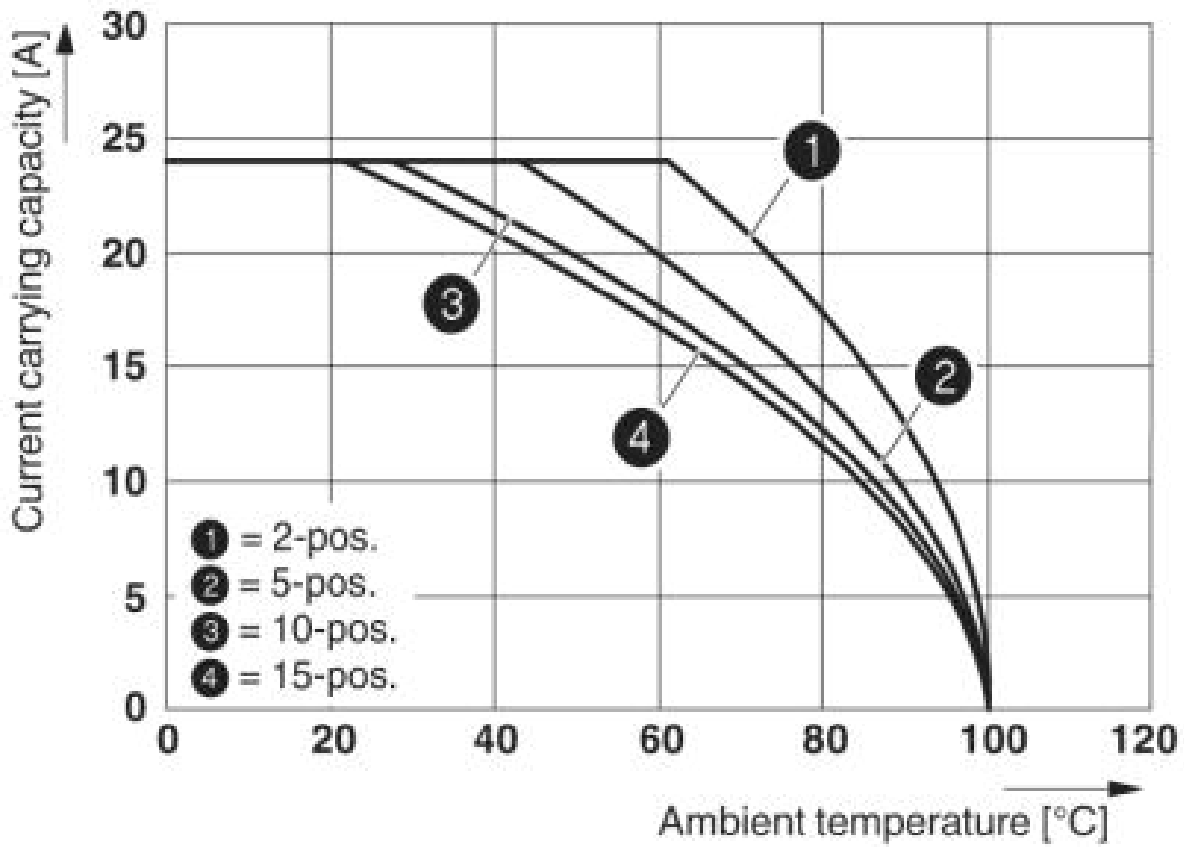
Feed-through terminal block - UT 2,5/1P - 3045017

Diagram



Feed-through terminal block - UT 2,5/1P - 3045017

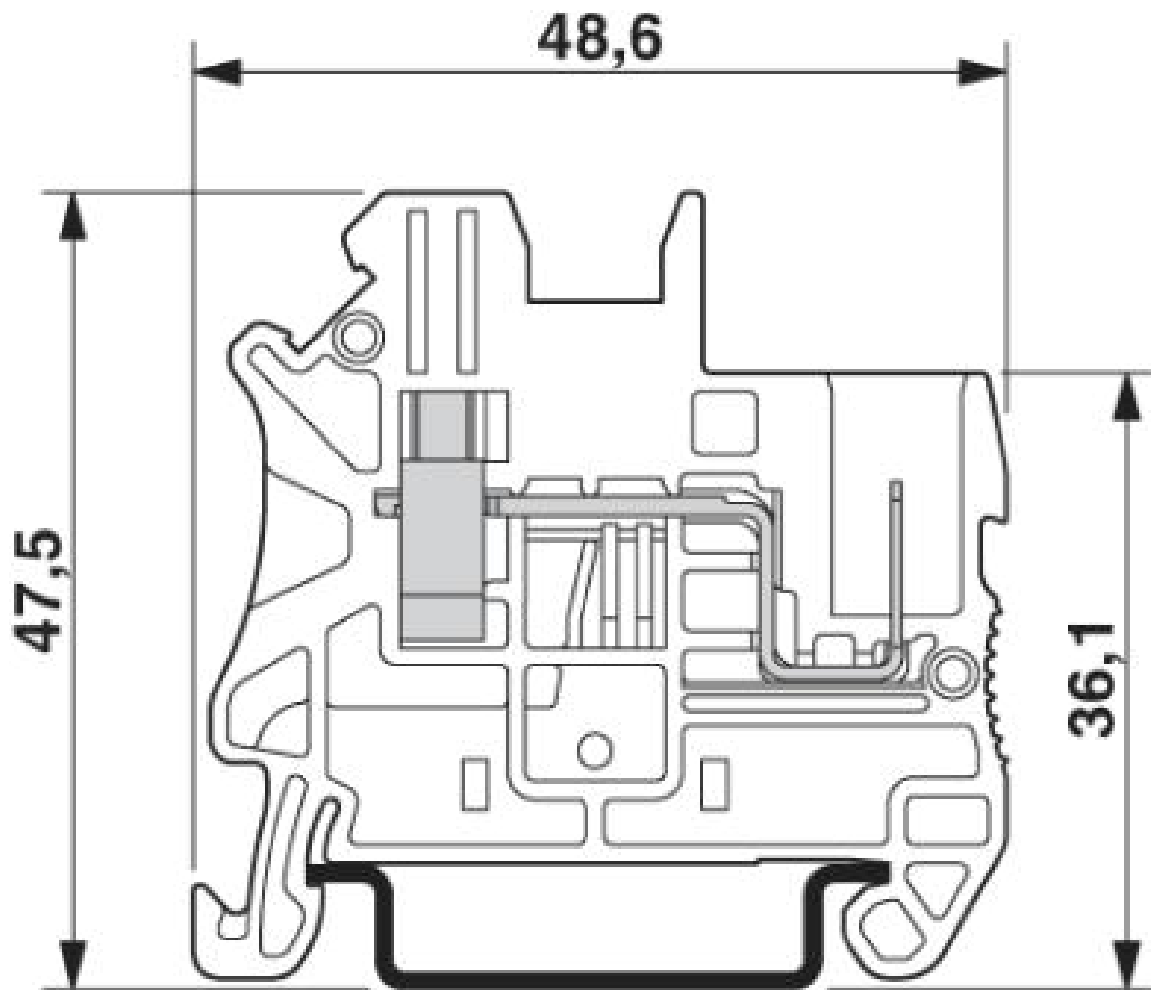
Diagram



The figure shows the derating curve of the UT 2,5/1P... terminal block in connection with the UPBV 2,5 plug

Feed-through terminal block - UT 2,5/1P - 3045017

Dimensioned drawing



Circuit diagram

