

High Current Connectors - UKH 240 - 3010217

Please be informed that the data shown in this PDF Document is generated from our Online Catalog. Please find the complete data in the user's documentation. Our General Terms of Use for Downloads are valid (<http://download.phoenixcontact.com>)



High Current Connectors, Connection method: Screw connection, Cross section: 70 mm² - 240 mm², AWG: 2/0 - 500 kcmil, Width: 36 mm, Height: 123.6 mm, Color: gray, Mounting type: NS 35/15, NS 32

Product Features

- Reliable cable connection is ensured by three-point centering of the conductor in the prismatic sleeve base
- Low contact resistance of the contact surface due to ribbing
- Screw locking by means of spring-loaded elements in the clamping part



Key commercial data

package_quantity	10
GTIN	4017918091873

Technical data

General

Number of levels	1
Number of connections	2
Color	gray
Insulating material	PA
Inflammability class according to UL 94	V0

General

Maximum load current	415 A (At 240 mm ² conductor cross section)
Rated surge voltage	8 kV
Pollution degree	3
Surge voltage category	III
Insulating material group	I
Connection in acc. with standard	IEC 60947-7-1
Nominal current I _N	415 A
Nominal voltage U _N	1000 V
Open side panel	nein
Shock protection test specification	DIN EN 50274 (VDE 0660-514):2002-11
Back of the hand protection	guaranteed

High Current Connectors - UKH 240 - 3010217

Technical data

General

Finger protection	guaranteed
Surge voltage test setpoint	9.8 kV
Result of surge voltage test	Test passed
Power frequency withstand voltage setpoint	2.2 kV
Result of power-frequency withstand voltage test	Test passed
Checking the mechanical stability of terminal points (5 x conductor connection)	Test passed
Bending test rotation speed	10 rpm
Bending test turns	135
Bending test conductor cross section/weight	70 mm ² /10.4 kg
Bending test conductor cross section/weight	240 mm ² /20.0 kg
Result of bending test	Test passed
Conductor cross section tensile test	70 mm ²
Tractive force setpoint	285 N
Conductor cross section tensile test	240 mm ²
Tractive force setpoint	578 N
Tensile test result	Test passed
Tight fit on carrier	NS 32/NS 35
Setpoint	20 N
Result of tight fit test	Test passed
Requirements, voltage drop	≤ 3.2 mV
Result of voltage drop test	Test passed
Temperature-rise test	Test passed
Conductor cross section short circuit testing	240 mm ²
Short-time current	28.8 kA
Short circuit stability result	Test passed
Proof of thermal characteristics (needle flame) effective duration	30 s
Result of thermal test	Test passed
Temperature index, insulating material (DIN EN 60216-1 (VDE 0304-21))	130 °C
Static insulating material application in cold	-60 °C

Dimensions

Width	36 mm
Length	100 mm
Height	123.6 mm
Height NS 35/15	131.5 mm
Height NS 32	129 mm

Connection data

Note	Screws with hexagonal socket
Connection in acc. with standard	IEC 60947-7-1

High Current Connectors - UKH 240 - 3010217

Technical data

Connection data

Connection method	Screw connection
Note	Note: Product releases, connection cross sections and notes on connecting aluminum cables can be found in the download area.
Conductor cross section solid min.	70 mm ²
Conductor cross section solid max.	240 mm ²
Conductor cross section AWG/kcmil min.	2/0
Conductor cross section AWG/kcmil max	500 kcmil
Conductor cross section stranded min.	70 mm ²
Conductor cross section stranded max.	240 mm ²
Min. AWG conductor cross section, stranded	2/0
Max. AWG conductor cross section, stranded	500 kcmil
Conductor cross section stranded, with ferrule without plastic sleeve min.	70 mm ²
Conductor cross section stranded, with ferrule without plastic sleeve max.	185 mm ²
Conductor cross section stranded, with ferrule with plastic sleeve min.	70 mm ²
Conductor cross section stranded, with ferrule with plastic sleeve max.	185 mm ²
Cross section with insertion bridge, solid max.	240 mm ²
Cross section with insertion bridge, stranded max.	185 mm ²
2 conductors with same cross section, solid min.	35 mm ²
2 conductors with same cross section, solid max.	95 mm ²
2 conductors with same cross section, stranded min.	50 mm ²
2 conductors with same cross section, stranded max.	95 mm ²
2 conductors with same cross section, stranded, ferrules without plastic sleeve, min.	35 mm ²
2 conductors with same cross section, stranded, ferrules without plastic sleeve, max.	50 mm ²
Cross section with insertion bridge, solid max.	240 mm ²
Cross section with insertion bridge, stranded max.	185 mm ²
Stripping length	40 mm
Internal cylindrical gage	B15
Screw thread	M10
Tightening torque, min	25 Nm
Tightening torque max	30 Nm

classifications

eCl@ss

eCl@ss 4.0	27141120
eCl@ss 4.1	27141120
eCl@ss 5.0	27141120
eCl@ss 5.1	27141120

High Current Connectors - UKH 240 - 3010217

classifications

eCl@ss

eCl@ss 6.0	27141120
eCl@ss 7.0	27141120
eCl@ss 8.0	27141120

ETIM

ETIM 2.0	EC000897
ETIM 3.0	EC000897
ETIM 4.0	EC000897
ETIM 5.0	EC000897

UNSPSC


UNSPSC 6.01	30211811
UNSPSC 7.0901	39121410
UNSPSC 11	39121410
UNSPSC 12.01	39121410
UNSPSC 13.2	39121410


approvals

IECEX / ATEX / FM approved / UL Recognized / cUL Recognized / cULus Recognized / CSA / UL Recognized / LR / GL / DNV / RS / PRS /

Approval details

IECEX	
Nominal voltage UN	1100 V
Nominal current IN	350 A
mm ² /AWG/kcmil	70-240

ATEX 	
Nominal voltage UN	1100 V
Nominal current IN	353.5 A
mm ² /AWG/kcmil	70-240

FM approved 	
Nominal voltage UN	600 V

High Current Connectors - UKH 240 - 3010217

approvals

Nominal current I _N	350 A
mm ² /AWG/kcmil	

UL Recognized

Nominal voltage U _N	600 V
Nominal current I _N	380 A
mm ² /AWG/kcmil	500

cUL Recognized

Nominal voltage U _N	600 V
Nominal current I _N	380 A
mm ² /AWG/kcmil	500

cULus Recognized

CSA

Usegroups	B	C
Nominal voltage U _N	600 V	600 V
Nominal current I _N	400 A	400 A
mm ² /AWG/kcmil	500	500

Usegroups	B	C
Nominal voltage U _N	600 V	600 V
Nominal current I _N	380 A	380 A
mm ² /AWG/kcmil	500	500

LR

GL

High Current Connectors - UKH 240 - 3010217

approvals

DNV

RS

PRS

accessories

Labeled terminal marker

WS-2K - 1004513



ZB 22 CUS - 0824949



ZB 22,LGS:L1-N,PE - 0811875



Mounting material

UKH 150/240 EP - 3009244



Pick-off terminal block

High Current Connectors - UKH 240 - 3010217

accessories

AGK 10-UKH 150/240 - 3003554



Bridge

EB 3-36/UKH - 0201414



EB 2-36/UKH - 0201401



Mounting rail

NS 32 PERF 2000MM - 1201002



NS 32 UNPERF 2000MM - 1201015



High Current Connectors - UKH 240 - 3010217

accessories

NS 35/15 PERF 2000MM - 1201730



NS 35/15 UNPERF 2000MM - 1201714



NS 35/15 WH PERF 2000MM - 0806602



NS 35/15 WH UNPERF 2000MM - 1204135



NS 35/15 AL UNPERF 2000MM - 1201756



NS 35/15 ZN PERF 2000MM - 1206599



High Current Connectors - UKH 240 - 3010217

accessories

NS 35/15 ZN UNPERF 2000MM - 1206586



NS 35/15 CU UNPERF 2000MM - 1201895



NS 35/15 CAP - 1206573



Terminal marking

ZB 22:UNBEDRUCKT - 0811862



End block

E/AL-NS 32 - 1201659



High Current Connectors - UKH 240 - 3010217

accessories

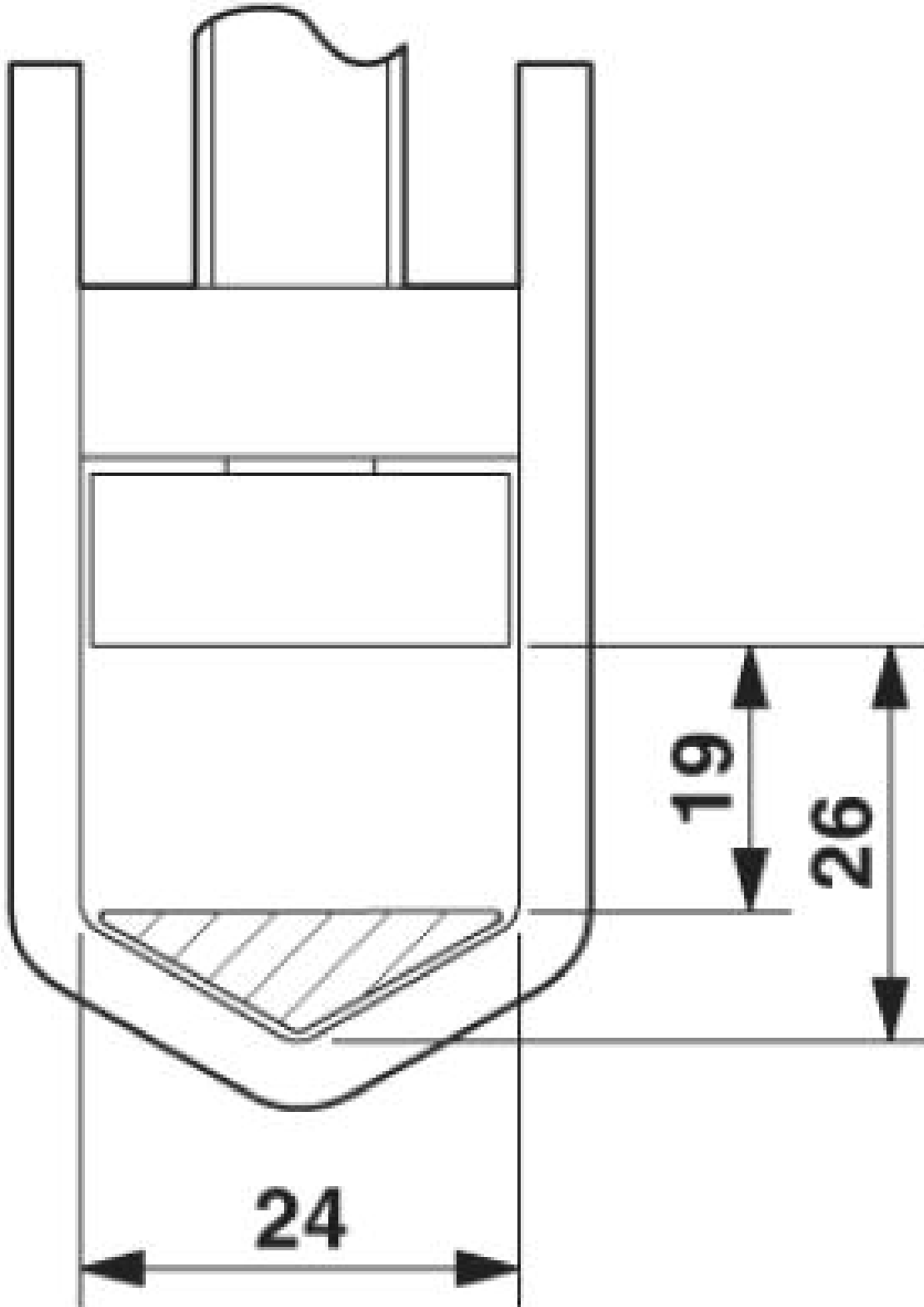
E/AL-NS 35 - 1201662



Drawings

High Current Connectors - UKH 240 - 3010217

Dimensioned drawing

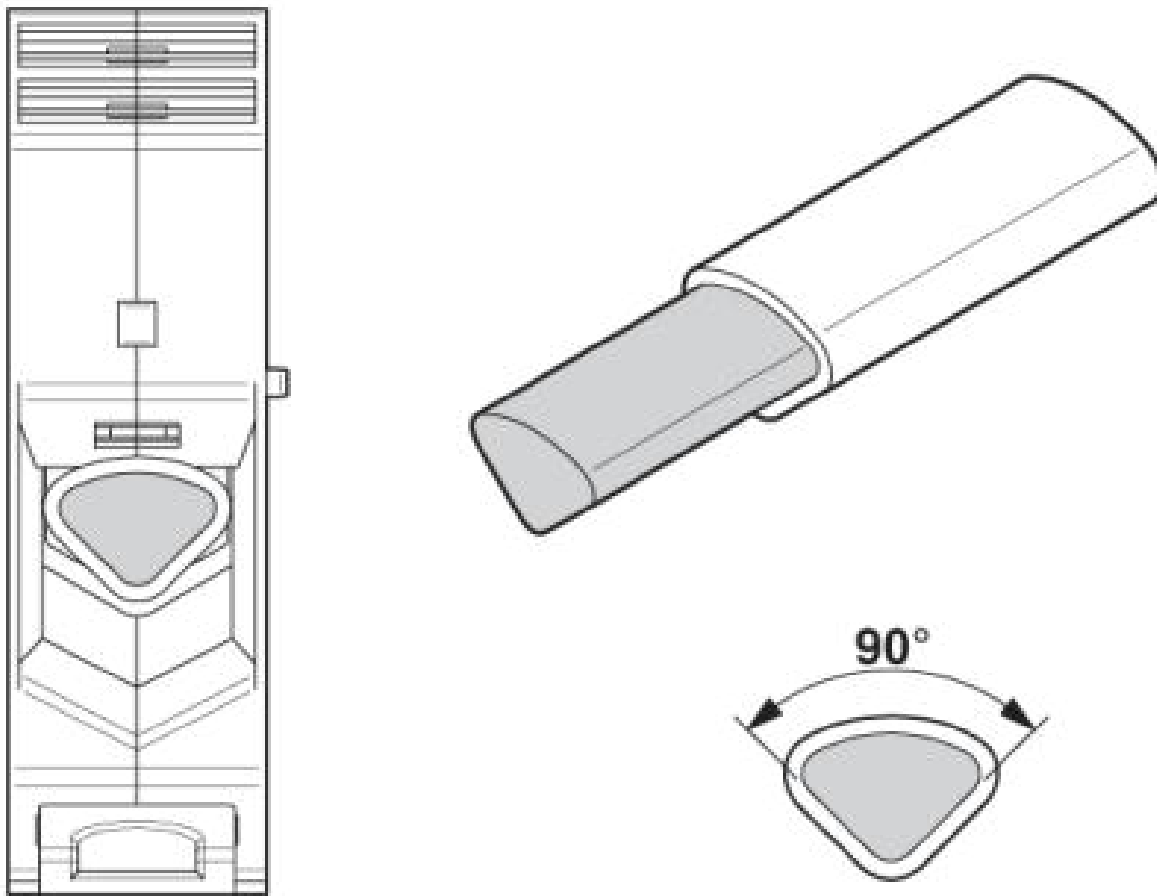


High Current Connectors - UKH 240 - 3010217

Circuit diagram



Schematic diagram



Connecting aluminum cables. Further notes can be found in the download area

© Phoenix Contact 2014 - all rights reserved
<http://www.phoenixcontact.com>