

High Current Connectors - UKH 95 - 3010013

Please be informed that the data shown in this PDF Document is generated from our Online Catalog. Please find the complete data in the user's documentation. Our General Terms of Use for Downloads are valid (<http://download.phoenixcontact.com>)



High Current Connectors, Connection method: Screw connection, Cross section: 25 mm² - 95 mm², AWG: 4 - 3/0, Width: 25 mm, Height: 90 mm, Color: gray, Mounting type: NS 35/15, NS 32

Product Features

- Reliable cable connection is ensured by three-point centering of the conductor in the prismatic sleeve base
- Low contact resistance of the contact surface due to ribbing
- Screw locking by means of spring-loaded elements in the clamping part



Key commercial data

package_quantity	10
GTIN	4017918091835

Technical data

General

Number of levels	1
Number of connections	2
Color	gray
Insulating material	PA
Inflammability class according to UL 94	V0

General

Maximum load current	232 A (with 95 mm ² conductor cross section)
Rated surge voltage	8 kV
Pollution degree	3
Surge voltage category	III
Insulating material group	I
Connection in acc. with standard	IEC 60947-7-1
Nominal current I _N	232 A
Nominal voltage U _N	1000 V
Open side panel	nein

Dimensions

Width	25 mm
-------	-------

High Current Connectors - UKH 95 - 3010013

Technical data

Dimensions

Length	83 mm
Height	90 mm
Height NS 35/15	97.5 mm
Height NS 32	95 mm

Connection data

Note	Screws with hexagonal socket
Connection in acc. with standard	IEC 60947-7-1
Connection method	Screw connection
Note	Note: Product releases, connection cross sections and notes on connecting aluminum cables can be found in the download area.
Conductor cross section solid min.	25 mm ²
Conductor cross section solid max.	95 mm ²
Conductor cross section AWG/kcmil min.	4
Conductor cross section AWG/kcmil max	3/0
Conductor cross section stranded min.	35 mm ²
Conductor cross section stranded max.	95 mm ²
Min. AWG conductor cross section, stranded	2
Max. AWG conductor cross section, stranded	3/0
Conductor cross section stranded, with ferrule without plastic sleeve min.	35 mm ²
Conductor cross section stranded, with ferrule without plastic sleeve max.	95 mm ²
Conductor cross section stranded, with ferrule with plastic sleeve min.	35 mm ²
Conductor cross section stranded, with ferrule with plastic sleeve max.	95 mm ²
Cross section with insertion bridge, solid max.	95 mm ²
Cross section with insertion bridge, stranded max.	70 mm ²
2 conductors with same cross section, solid min.	25 mm ²
2 conductors with same cross section, solid max.	35 mm ²
2 conductors with same cross section, stranded min.	25 mm ²
2 conductors with same cross section, stranded max.	35 mm ²
2 conductors with same cross section, stranded, ferrules without plastic sleeve, min.	16 mm ²
2 conductors with same cross section, stranded, ferrules without plastic sleeve, max.	35 mm ²
Cross section with insertion bridge, solid max.	95 mm ²
Cross section with insertion bridge, stranded max.	70 mm ²
Stripping length	33 mm
Screw thread	M8
Tightening torque, min	15 Nm
Tightening torque max	20 Nm

High Current Connectors - UKH 95 - 3010013

classifications

eCl@ss

eCl@ss 4.0	27141120
eCl@ss 4.1	27141120
eCl@ss 5.0	27141120
eCl@ss 5.1	27141120
eCl@ss 6.0	27141120
eCl@ss 7.0	27141120
eCl@ss 8.0	27141120

ETIM

ETIM 2.0	EC000897
ETIM 3.0	EC000897
ETIM 4.0	EC000897
ETIM 5.0	EC000897

UNSPSC


UNSPSC 6.01	30211811
UNSPSC 7.0901	39121410
UNSPSC 11	39121410
UNSPSC 12.01	39121410
UNSPSC 13.2	39121410

approvals

IECEX / ATEX / FM approved / UL Recognized / cUL Recognized / cULus Recognized / CSA / UL Recognized / KEMA-KEUR / cUL Recognized / LR / GL / DNV / RS / PRS / CCA / cULus Recognized /

Approval details

IECEX	
Nominal voltage UN	880 V
Nominal current IN	216 A
mm ² /AWG/kcmil	35-95

ATEX 	
Nominal voltage UN	880 V
Nominal current IN	216 A
mm ² /AWG/kcmil	35-95

High Current Connectors - UKH 95 - 3010013

approvals

FM approved

Nominal voltage UN	600 V
Nominal current IN	210 A
mm ² /AWG/kcmil	2

UL Recognized

Nominal voltage UN	600 V
Nominal current IN	230 A
mm ² /AWG/kcmil	2

cUL Recognized

Nominal voltage UN	600 V
Nominal current IN	230 A
mm ² /AWG/kcmil	2

cULus Recognized

CSA

Usegroups	B	C
Nominal voltage UN	600 V	600 V
Nominal current IN	200 A	200 A
mm ² /AWG/kcmil	2	2

Usegroups	B	C
Nominal voltage UN	600 V	600 V
Nominal current IN	230 A	230 A
mm ² /AWG/kcmil	2	2

High Current Connectors - UKH 95 - 3010013

approvals

KEMA-KEUR	
Nominal voltage UN	1000 V
Nominal current IN	
mm ² /AWG/kcmil	95

Usegroups	B	C
Nominal voltage UN	600 V	600 V
Nominal current IN	230 A	230 A
mm ² /AWG/kcmil	2	2

LR

GL

DNV

RS

PRS

CCA	
Nominal voltage UN	1000 V
Nominal current IN	
mm ² /AWG/kcmil	95

accessories

Labeled terminal marker

High Current Connectors - UKH 95 - 3010013

accessories

WS-4K - 1004584



ZB 22 CUS - 0824949



ZB 22,LGS:L1-N,PE - 0811875



Mounting material

UKH 95 EP - 3009231



Pick-off terminal block

AGK 10-UKH 95 - 3003541



Socket spanner

High Current Connectors - UKH 95 - 3010013

accessories

VDE-ISS 6 - 1201934



Marker pen

X-PEN 0,35 - 0811228



Bridge

EB 3-25/UKH - 0201375



EB 2-25/UKH - 0201362



Mounting rail

NS 32 PERF 2000MM - 1201002



High Current Connectors - UKH 95 - 3010013

accessories

NS 32 UNPERF 2000MM - 1201015



NS 35/15 PERF 2000MM - 1201730



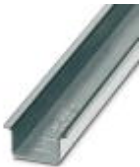
NS 35/15 UNPERF 2000MM - 1201714



NS 35/15 WH PERF 2000MM - 0806602



NS 35/15 WH UNPERF 2000MM - 1204135



NS 35/15 AL UNPERF 2000MM - 1201756



High Current Connectors - UKH 95 - 3010013

accessories

NS 35/15 ZN PERF 2000MM - 1206599



NS 35/15 ZN UNPERF 2000MM - 1206586



NS 35/15 CU UNPERF 2000MM - 1201895



NS 35/15 CAP - 1206573



Terminal marking

ZB 22:UNBEDRUCKT - 0811862



End block

High Current Connectors - UKH 95 - 3010013

accessories

E/AL-NS 32 - 1201659



E/AL-NS 35 - 1201662



Planning and marking software

CLIP-PROJECT ADVANCED - 5146040



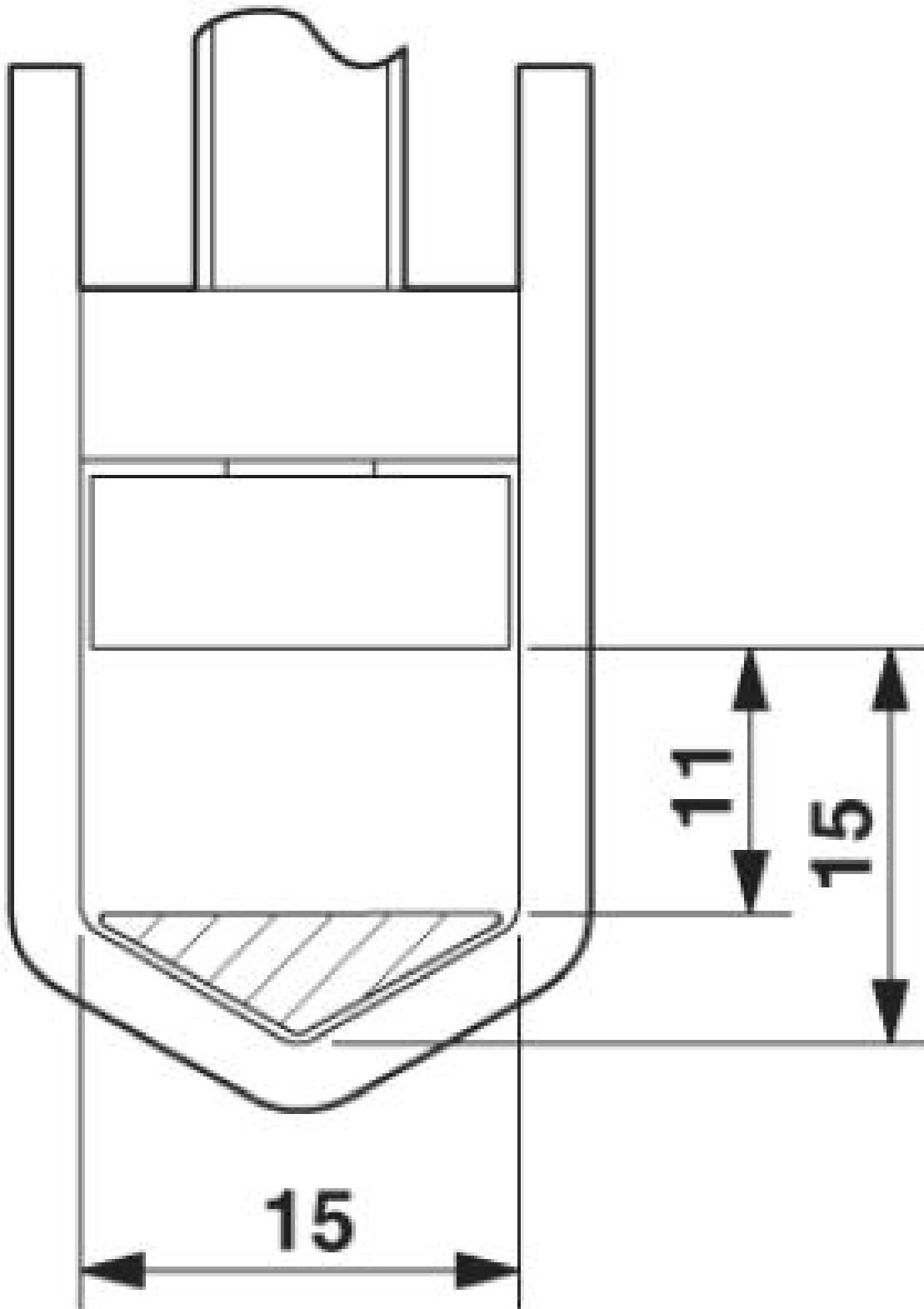
CLIP-PROJECT PROFESSIONAL - 5146053



Drawings

High Current Connectors - UKH 95 - 3010013

Dimensioned drawing

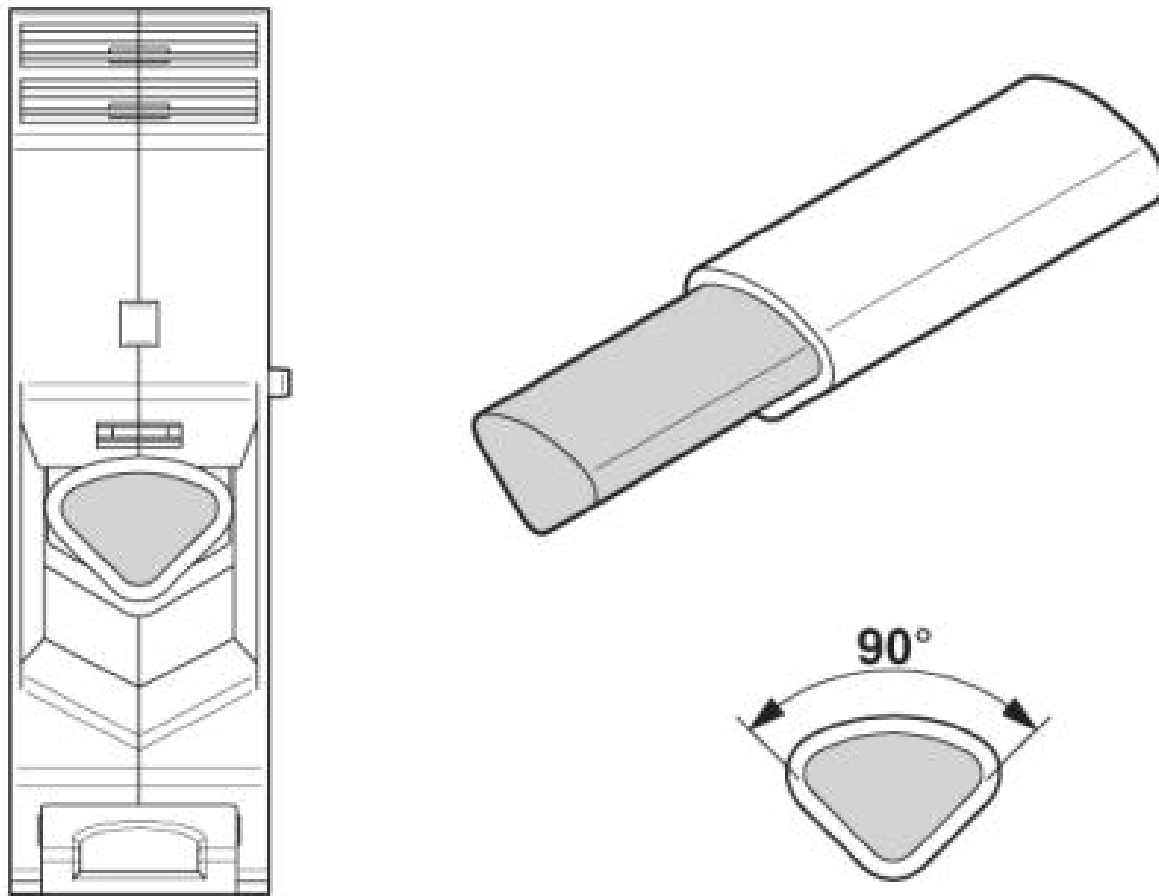


High Current Connectors - UKH 95 - 3010013

Circuit diagram



Schematic diagram



Connecting aluminum cables. Further notes can be found in the download area

© Phoenix Contact 2014 - all rights reserved
<http://www.phoenixcontact.com>