

High Current Connectors - UHV 50-AS/AS - 2130017

Please be informed that the data shown in this PDF Document is generated from our Online Catalog. Please find the complete data in the user's documentation. Our General Terms of Use for Downloads are valid (<http://download.phoenixcontact.com>)



Universal terminal block with bolt connection, cross section: 25 - 50 mm², AWG: 6 - 1/0, width: 32 mm, color: gray

The illustration shows a combination of versions UHV 50-AS/AS, UHV 50-KH/AS and UHV 50-KH/KH

Product Features

- Versions are available with a cable lug or direct connection and there is a mixed version of both connection methods
- The UHV ... high-current connectors are available in several versions
- The comprehensive range of accessories, such as the connection rail for cross connection, ensures safe and user-friendly wiring of conductors up to 240 mm²

Key commercial data

package_quantity	10
GTIN	4017918052799

Technical data

General

Number of levels	1
Number of connections	2
Color	gray
Insulating material	PA-F
Inflammability class according to UL 94	HB

General

Rated surge voltage	8 kV
Pollution degree	3
Surge voltage category	III
Insulating material group	II
Connection in acc. with standard	IEC 60947-7-1
Nominal current I_N	150 A
Nominal voltage U_N	1000 V
Open side panel	nein
Surge voltage test setpoint	9.8 kV
Result of surge voltage test	Test passed
Power frequency withstand voltage setpoint	2.2 kV

High Current Connectors - UHV 50-AS/AS - 2130017

Technical data

General

Result of power-frequency withstand voltage test	Test passed
Checking the mechanical stability of terminal points (5 x conductor connection)	Test passed
Tight fit on carrier	NS 35
Setpoint	15 N
Result of tight fit test	Test passed
Requirements, voltage drop	≤ 3.2 mV
Result of voltage drop test	Test passed
Temperature-rise test	Test passed
Conductor cross section short circuit testing	50 mm ²
Short-time current	6 kA
Short circuit stability result	Test passed
Temperature index, insulating material (DIN EN 60216-1 (VDE 0304-21))	145 °C

Dimensions

Length	95 mm
Width	32 mm
Height NS 35/15	54.5 mm

Connection data

Conductor cross section solid min.	26 mm ²
Conductor cross section solid max.	50 mm ²
Conductor cross section stranded min.	26 mm ²
Conductor cross section stranded max.	50 mm ²
Conductor cross section AWG/kcmil min.	3
Conductor cross section AWG/kcmil max	1/0
Conductor cross section stranded, with ferrule without plastic sleeve min.	25 mm ²
Conductor cross section stranded, with ferrule without plastic sleeve max.	50 mm ²
Conductor cross section stranded, with ferrule with plastic sleeve min.	25 mm ²
Conductor cross section stranded, with ferrule with plastic sleeve max.	50 mm ²
2 conductors with same cross section, solid min.	10 mm ²
2 conductors with same cross section, solid max.	16 mm ²
2 conductors with same cross section, stranded min.	10 mm ²
2 conductors with same cross section, stranded max.	16 mm ²
2 conductors with same cross section, stranded, ferrules without plastic sleeve, min.	10 mm ²
2 conductors with same cross section, stranded, ferrules without plastic sleeve, max.	16 mm ²
Stripping length	26 mm
Tightening torque, min	6 Nm

High Current Connectors - UHV 50-AS/AS - 2130017

Technical data

Connection data

Tightening torque max	8 Nm
Connection method	Bolt connection
Connection in acc. with standard	DIN 46,235
Min. cross section	16 mm ²
Max. cross section	50 mm ²
Hole diameter	10.5 mm
Bolt diameter	10 mm
Bolt thread	M10
Tightening torque, min	25 Nm
Tightening torque max	30 Nm
Connection in acc. with standard	DIN 46 234
Min. cross section	6 mm ²
Max. cross section	50 mm ²
Hole diameter	10.5 mm
Bolt diameter	10 mm
Bolt thread	M10
Tightening torque, min	25 Nm
Tightening torque max	30 Nm
Power rail	20 mm x 3 mm

classifications

eCl@ss

eCl@ss 4.0	27141120
eCl@ss 4.1	27141120
eCl@ss 5.0	27141120
eCl@ss 5.1	27141120
eCl@ss 6.0	27141120
eCl@ss 7.0	27141120
eCl@ss 8.0	27141120

ETIM

ETIM 2.0	EC000897
ETIM 3.0	EC000897
ETIM 4.0	EC000897
ETIM 5.0	EC000897

UNSPSC

UNSPSC 6.01	30211811
UNSPSC 7.0901	39121410
UNSPSC 11	39121410
UNSPSC 12.01	39121410
UNSPSC 13.2	39121410

High Current Connectors - UHV 50-AS/AS - 2130017

approvals

CSA / UL Recognized / GOST / GL / RS / PRS / GOST /

Approval details

CSA		
Usegroups	B	C
Nominal voltage UN	600 V	600 V
Nominal current IN	125 A	125 A
mm ² /AWG/kcmil	6	6

UL Recognized		
Usegroups	B	C
Nominal voltage UN	600 V	600 V
Nominal current IN	150 A	150 A
mm ² /AWG/kcmil	6	6

GOST		
------	--	--

GL		
----	--	--

RS		
----	--	--

PRS		
-----	--	--

--	--	--

accessories

Partition plate

High Current Connectors - UHV 50-AS/AS - 2130017

accessories

UHV -TP1 - 2130402



Flange

UHV -E - 2130428



Bridge

UHV 50-VS 2 - 5030897



UHV 50-VS 3 - 2130622



Cover

UHV 50-AH - 2130444



High Current Connectors - UHV 50-AS/AS - 2130017

accessories

Mounting material

UKH 50 EP - 3009228



Screwdriver tools

SZS 1,2X8,0 VDE - 1205082



Terminal marking

SBS10:UNBEDRUCKT - 1007248



ZB 10:UNBEDRUCKT - 1053001



UC-TM 10 - 0818069



High Current Connectors - UHV 50-AS/AS - 2130017

accessories

UCT-TM 10 - 0829142



Mounting rail

NS 32 PERF 2000MM - 1201002



NS 32 UNPERF 2000MM - 1201015



Labeled terminal marker

ZB 10 CUS - 0824941



ZB10,LGS:FORTL.ZAHLEN - 1053014



High Current Connectors - UHV 50-AS/AS - 2130017

accessories

ZB10,QR:FORTL.ZAHLEN - 1053027



ZB10,LGS:GLEICHE ZAHLEN - 1053030



ZB10,LGS:L1-N,PE - 1053412



ZB10,LGS:U-N - 1053438



UC-TM 10 CUS - 0824605



UCT-TM 10 CUS - 0829623



High Current Connectors - UHV 50-AS/AS - 2130017

accessories

End block

E/AL-NS 32 - 1201659

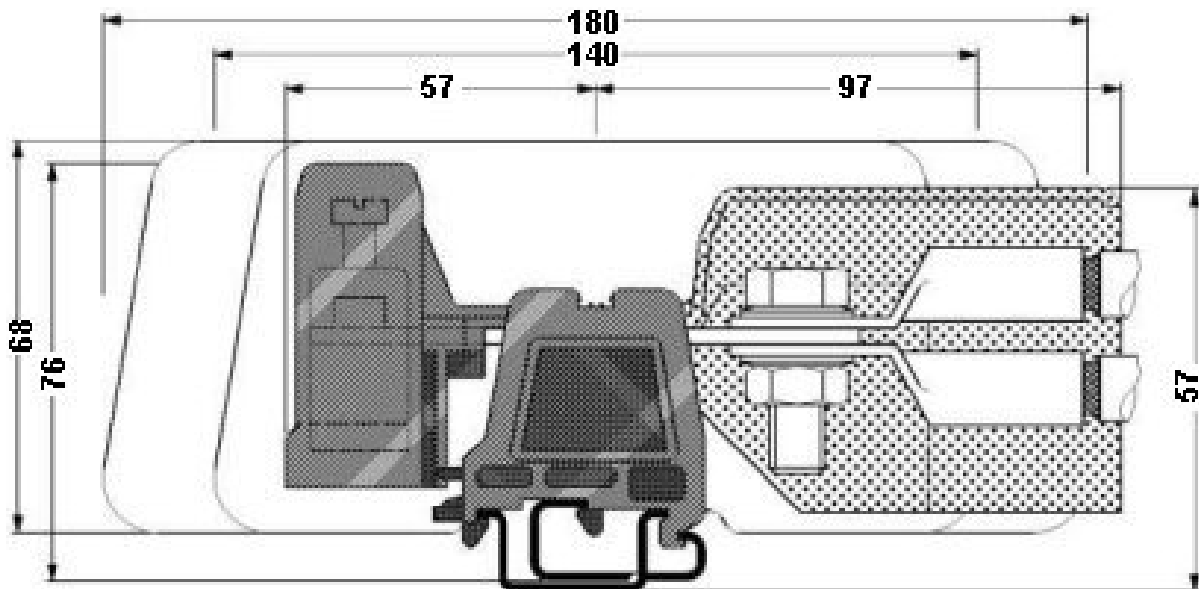


E/AL-NS 35 - 1201662



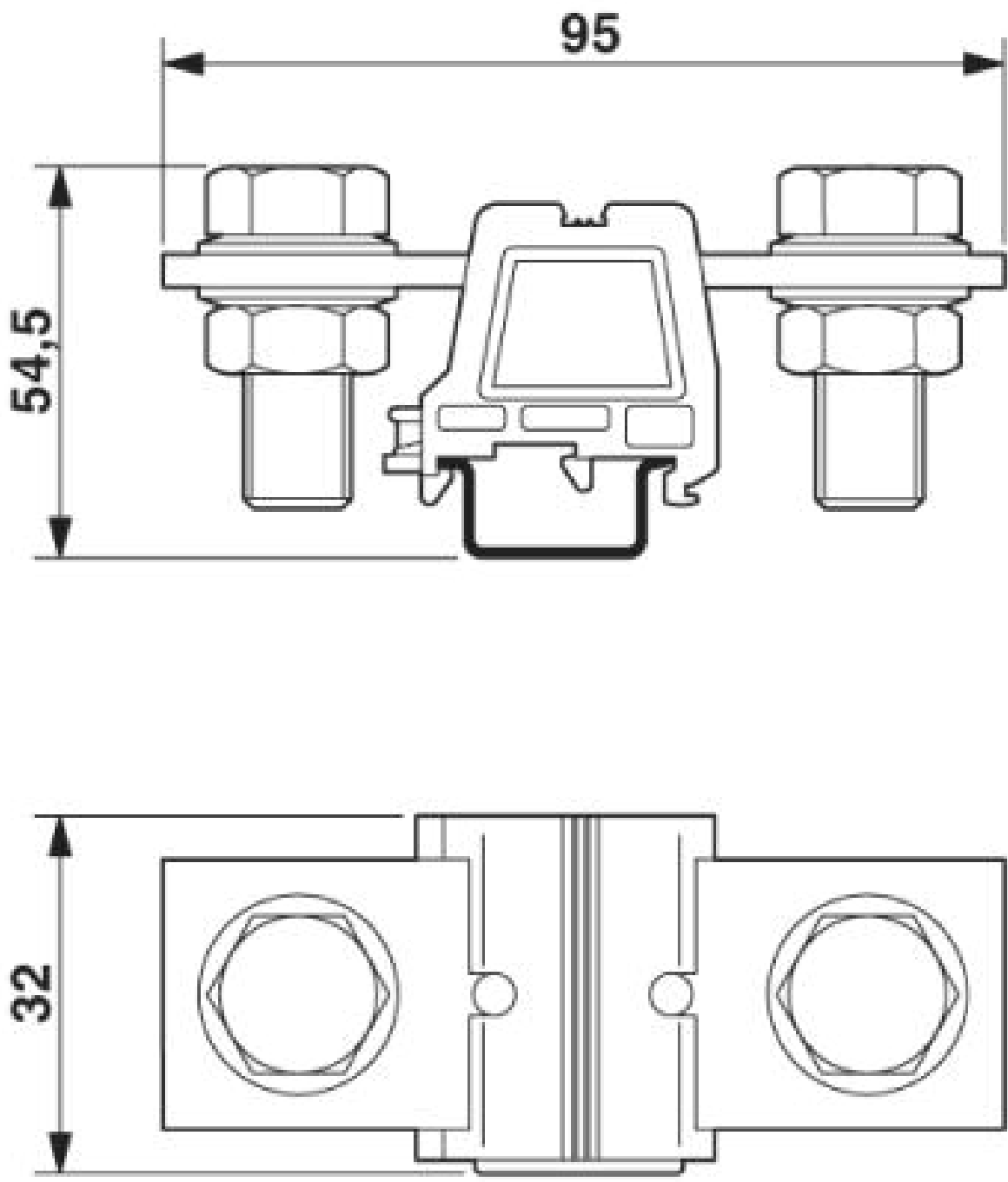
Drawings

Dimensioned drawing



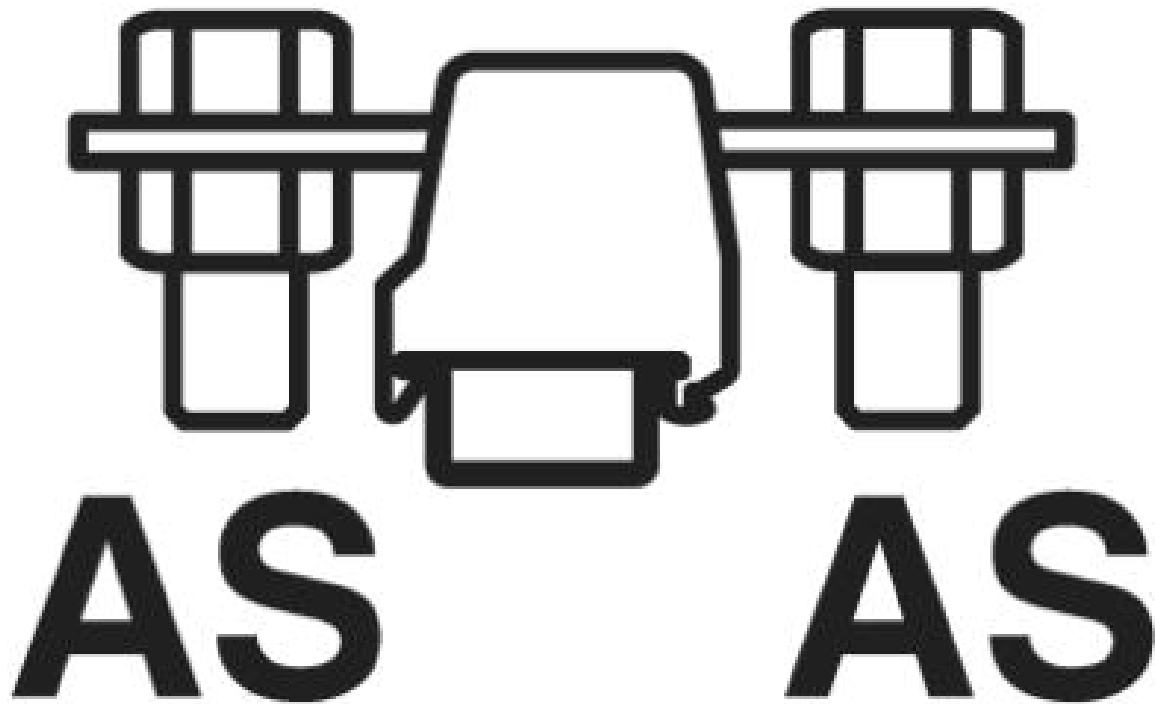
High Current Connectors - UHV 50-AS/AS - 2130017

Dimensioned drawing

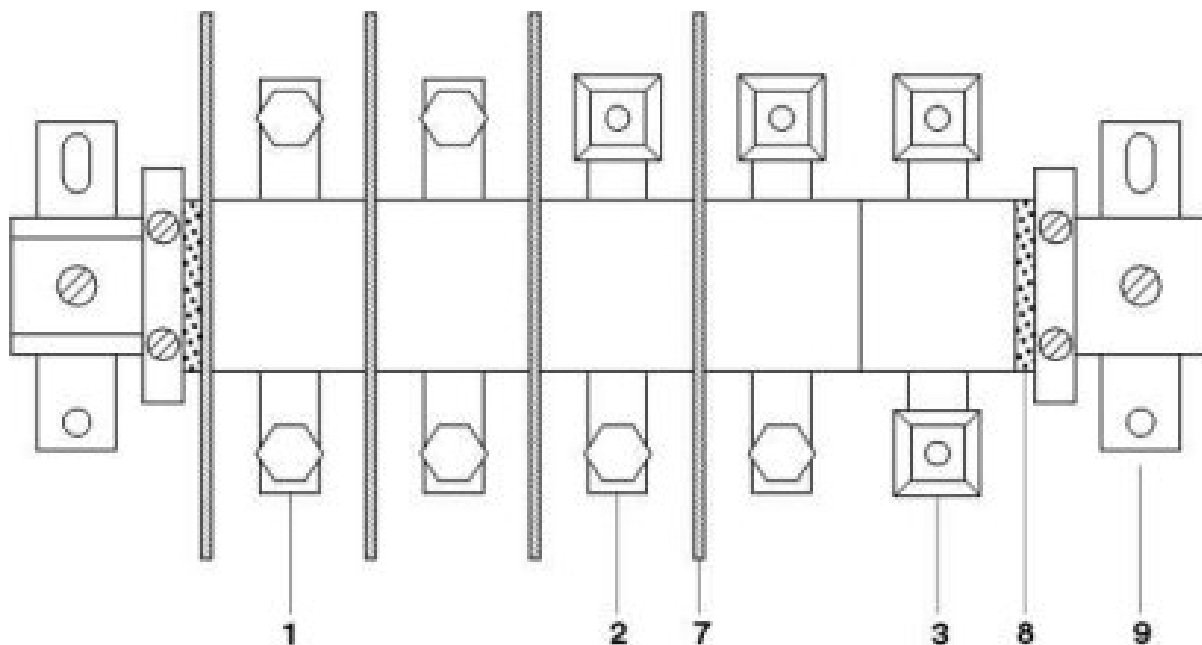


High Current Connectors - UHV 50-AS/AS - 2130017

Pictogram



Circuit diagram



- 1 = high current connector, AS screw set on both sides
- 2 = high current connector, terminal sleeve KH on one side, screw set AS on the other side
- 3 = high current connector, terminal sleeves KH on both sides, for direct cable connection
- 7 = separating plate
- 8 = end piece
- 9 = flat bracket

High Current Connectors - UHV 50-AS/AS - 2130017

Circuit diagram



© Phoenix Contact 2014 - all rights reserved
<http://www.phoenixcontact.com>