

# Type 1 surge protection plug - FLT-CP-N/PE-350-ST - 2859686

Please be informed that the data shown in this PDF Document is generated from our Online Catalog. Please find the complete data in the user's documentation. Our General Terms of Use for Downloads are valid (<http://download.phoenixcontact.com>)



Type 1 / Class I / B arrester (lightning arrester) replacement plug for path N-PE, can be combined with FLASHTRAB compact series of products.



## Key commercial data

package_quantity	10
GTIN	4017918956523

## Technical data

### Dimensions

Height	46.6 mm
Width	35.45 mm
Depth	56.4 mm
Horizontal pitch	2 Div.

### Ambient conditions

Degree of protection	IP20
Ambient temperature (operation)	-40 °C ... 80 °C
Ambient temperature (storage/transport)	-40 °C ... 80 °C
Altitude	≤ 2000 m (amsl (above mean sea level))
Permissible humidity (operation)	5 % ... 95 %
Shock (operation)	25 g (half sinus / 11 ms / 3x ±X, ±Y, ±Z)
Vibration (operation)	5 g (5 - 500 Hz/2.5 h/X, Y, Z)

### General

Standards/specifications	IEC 61643-11 2011
Standards/specifications	EN 61643-11 2012
IEC test classification	I / II
IEC test classification	T1 / T2
EN type	T1 / T2
IEC power supply system	TT
Lightning protection class	I
SPD design	Voltage-switching type

# Type 1 surge protection plug - FLT-CP-N/PE-350-ST - 2859686

## Technical data

### General

Mode of protection	N-PE
Mounting type	On base element
Color	gray/blue
Housing material	PBT
Pollution degree	2
Inflammability class according to UL 94	V-0
Type	Male
Number of positions	1
Surge protection fault message	Optical

### Protective circuit

Nominal voltage $U_N$	240 V AC (TN - only N-PE)
Nominal voltage $U_N$	240 V AC (TT - only N-PE)
Nominal frequency $f_N$	50 Hz (60 Hz)
Maximum continuous operating voltage $U_C$	350 V AC
Residual current $I_{PE}$	$\leq 0.01$ mA
Power consumption without load $P_c$	$\leq 0.35$ mW
Nominal discharge current $I_n$ (8/20) $\mu$ s	100 kA
Follow current interrupt rating $I_{fi}$	100 A (350 V AC)
Voltage protection level $U_p$	$\leq 1.5$ kV
Residual voltage $U_{res}$	$\leq 1.5$ kV (at $I_n$ )
Residual voltage $U_{res}$	$\leq 1$ kV (at 10 kA)
Residual voltage $U_{res}$	$\leq 0.9$ kV (at 5 kA)
Residual voltage $U_{res}$	$\leq 0.8$ kV (at 3 kA)
Front of wave sparkover voltage at 6 kV (1.2/50) $\mu$ s	$\leq 1.5$ kV
TOV behavior at $U_T$	1200 V AC (200 ms / withstand mode)
Response time $t_A$	$\leq 100$ ns

### NEMA/UL protective circuit

UL class	Type 4 SPD for Type 2 applications
Maximum continuous operating voltage MCOV (N-G)	264 V AC
Mode of protection	N-G
Power distribution system	1S
Nominal frequency	50/60 Hz
Voltage protection rating VPR (N-G)	1.5 kV
Nominal discharge current $I_n$ (N-G)	20 kA
Follow current (N-G)	200 A (264 V AC)

## classifications

eCl@ss

eCl@ss 4.0	27140201
------------	----------

# Type 1 surge protection plug - FLT-CP-N/PE-350-ST - 2859686

## classifications

### eCl@ss

eCl@ss 4.1	27140201
eCl@ss 5.0	27140201
eCl@ss 5.1	27140201
eCl@ss 6.0	27140201
eCl@ss 7.0	27140201

### ETIM

ETIM 2.0	EC000381
ETIM 3.0	EC000381
ETIM 4.0	EC000381
ETIM 5.0	EC000381

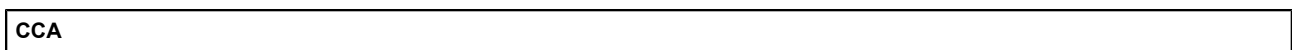
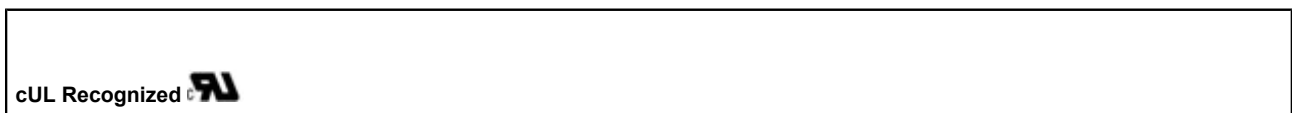
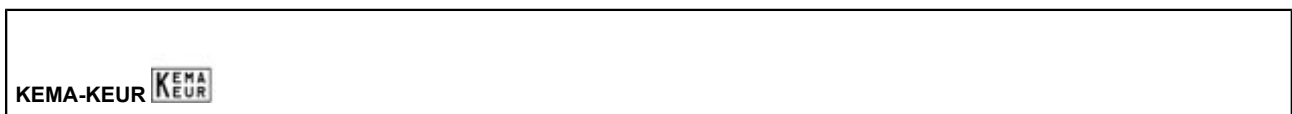
### UNSPSC

UNSPSC 6.01	30212010
UNSPSC 7.0901	39121610
UNSPSC 11	39121610
UNSPSC 12.01	39121610
UNSPSC 13.2	39121620

## approvals

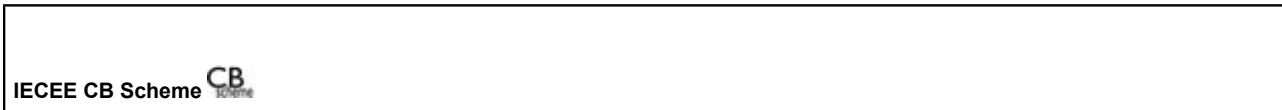
UL Recognized / KEMA-KEUR / cUL Recognized / GOST / CCA / IECCEB Scheme / KEMA-KEUR / cULus Recognized /

### Approval details



# Type 1 surge protection plug - FLT-CP-N/PE-350-ST - 2859686

approvals



accessories

## Device marking

ZBN 18:UNBEDRUCKT - 2809128



---

## Labeled device marker

ZBN 18,LGS:L1-N,ERDE - 2749576



ZBN 18,LGS:ERDE - 2749589



---

## Marker pen

# Type 1 surge protection plug - FLT-CP-N/PE-350-ST - 2859686

## accessories

B-STIFT - 1051993



---

## Terminal marking

ZBFM 5/WH:UNBEDRUCKT - 0803595



---

## accessories

ZBN 18:SO/CMS - 0800763

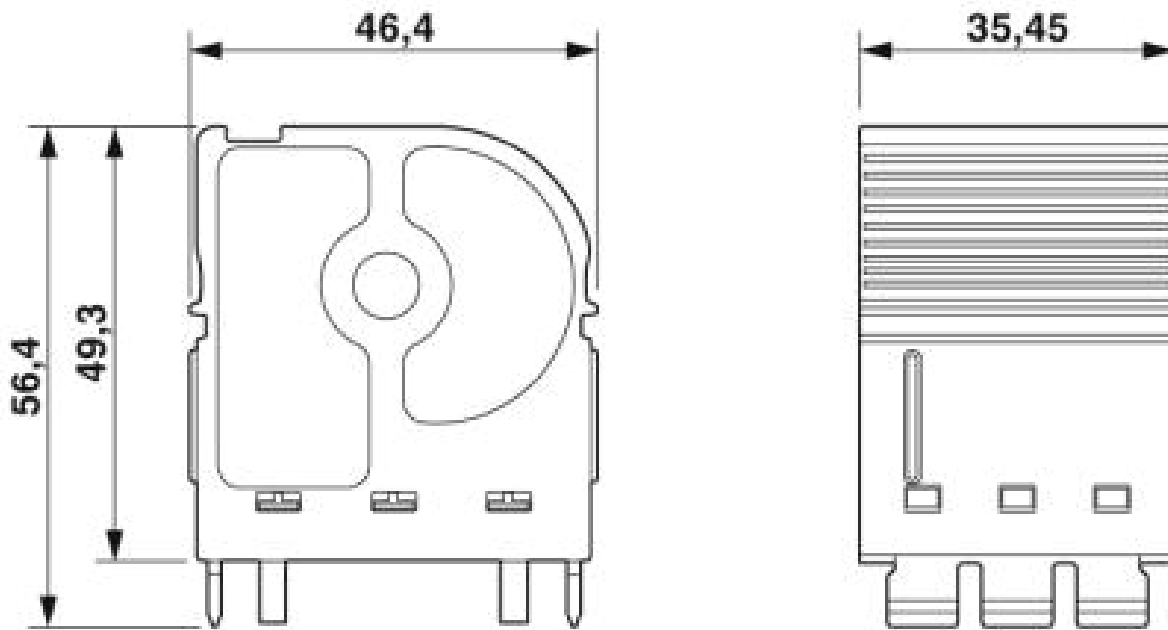


---

## Drawings

# Type 1 surge protection plug - FLT-CP-N/PE-350-ST - 2859686

Dimensioned drawing



# Type 1 surge protection plug - FLT-CP-N/PE-350-ST - 2859686

Circuit diagram

