

Surge protection device - TT-STTB-24 - 2858140

Please be informed that the data shown in this PDF Document is generated from our Online Catalog. Please find the complete data in the user's documentation. Our General Terms of Use for Downloads are valid (<http://download.phoenixcontact.com>)



Spring-cage terminal block with suppressor diode as fine surge protection, nominal voltage 24 V DC, for mounting on NS 35/7.5

The illustration shows version TT-STTB-12

Product Features

- Can be used in the signal circuits of electronic controllers

Key commercial data

package_quantity	25
GTIN	4017918877866

Technical data

Dimensions

Height	83.5 mm
Width	6.2 mm
Depth	47.5 mm

Ambient conditions

Ambient temperature (operation)	-40 °C ... 85 °C
Degree of protection	IP20

General

Housing material	PA 6.6
Inflammability class according to UL 94	V0
Color	black
Standards for air and creepage distances	IEC 60664-1
Standards for air and creepage distances	VDE 0110-1
Mounting type	DIN rail: 35 mm
Type	Double-level terminal block
Direction of action	Line-Line

Protective circuit

IEC test classification	C3
VDE requirement class	C3
Nominal voltage U_N	24 V DC
Maximum continuous operating voltage U_c	40 V DC

Surge protection device - TT-STTB-24 - 2858140

Technical data

Protective circuit

Maximum continuous operating voltage U_c	28 V AC
Maximum continuous voltage UC (wire-wire)	40 V DC
Maximum continuous voltage UC (wire-wire)	28 V AC
Nominal current I_N	32 A (60°C)
Operating effective current I_c at U_c	$\leq 5 \mu\text{A}$
Nominal discharge current I_n (8/20) μs (Core-Core)	119 A
Total surge current (8/20) μs	119 A
Max. discharge current I_{max} (8/20) μs maximum (Core-Core)	119 A
Nominal pulse current I_{an} (10/1000) μs (Core-Core)	23 A
Output voltage limitation at 1 kV/ μs (Core-Earth) spike	$\leq 60 \text{ V}$
Output voltage limitation at 1 kV/ μs (Core-Core) static	$\leq 60 \text{ V}$
Residual voltage at I_n , (conductor-conductor)	$\leq 80 \text{ V}$
Residual voltage with I_{an} (10/1000) μs (conductor-conductor)	$\leq 65 \text{ V}$
Voltage protection level U_p (Core-Core)	55 V (C3 (10 A))
Response time t_A (Core-Core)	$\leq 1 \text{ ns}$
Input attenuation aE, sym.	0.1 dB ($\leq 400 \text{ kHz}/150 \Omega$)
Cut-off frequency f_g (3 dB), sym. in 150 Ohm system	typ. 2 MHz
Capacity (Core-Core)	1.1 nF (with 1 MHz)
Surge carrying capacity in acc. with IEC 61643-21 (Core-Core)	C3 (10 A)

Connection data

Connection method	Spring-cage connection
Connection type IN	Spring-cage
Connection type OUT	Spring-cage
Conductor cross section stranded min.	0.5 mm ²
Conductor cross section stranded max.	4 mm ²
Conductor cross section solid min.	0.5 mm ²
Conductor cross section solid max.	6 mm ²
Conductor cross section AWG/kcmil min.	20
Conductor cross section AWG/kcmil max	10

Standards and Regulations

Standards/regulations	IEC 61643-21
-----------------------	--------------

classifications

eCl@ss

eCl@ss 4.0	27140201
eCl@ss 4.1	27130801
eCl@ss 5.0	27130801
eCl@ss 5.1	27130801
eCl@ss 6.0	27130807

Surge protection device - TT-STTB-24 - 2858140

classifications

eCl@ss

eCl@ss 7.0	27130807
eCl@ss 8.0	27130807

ETIM

ETIM 2.0	EC000943
ETIM 3.0	EC000943
ETIM 4.0	EC000943
ETIM 5.0	EC000943

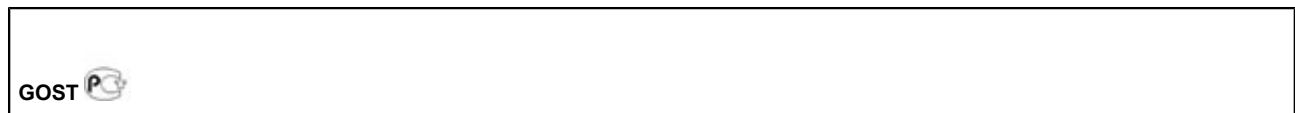
UNSPSC

UNSPSC 6.01	30212010
UNSPSC 7.0901	39121610
UNSPSC 11	39121610
UNSPSC 12.01	39121610
UNSPSC 13.2	39121620

approvals

GOST / GOST /

Approval details



accessories

End cover

TT-D-STTB BK - 2858496



Partition plate

Surge protection device - TT-STTB-24 - 2858140

accessories

ATP-STTB 4 - 3030747



Marker pen

B-STIFT - 1051993



Terminal marking

ZBF 6:UNBEDRUCKT - 0808710



ZBF 6/WH-100:UNBEDRUCKT - 0808736



ZB 6:UNBEDRUCKT - 1051003



Labeled terminal marker

Surge protection device - TT-STTB-24 - 2858140

accessories

ZBF 6,LGS:FORTL.ZAHLEN - 0808749



ZB 6,LGS:L1-N,PE - 1051414



ZB 6,LGS:U-N - 1051430



ZB 6,LGS:FORTL.ZAHLEN - 1051016



accessories

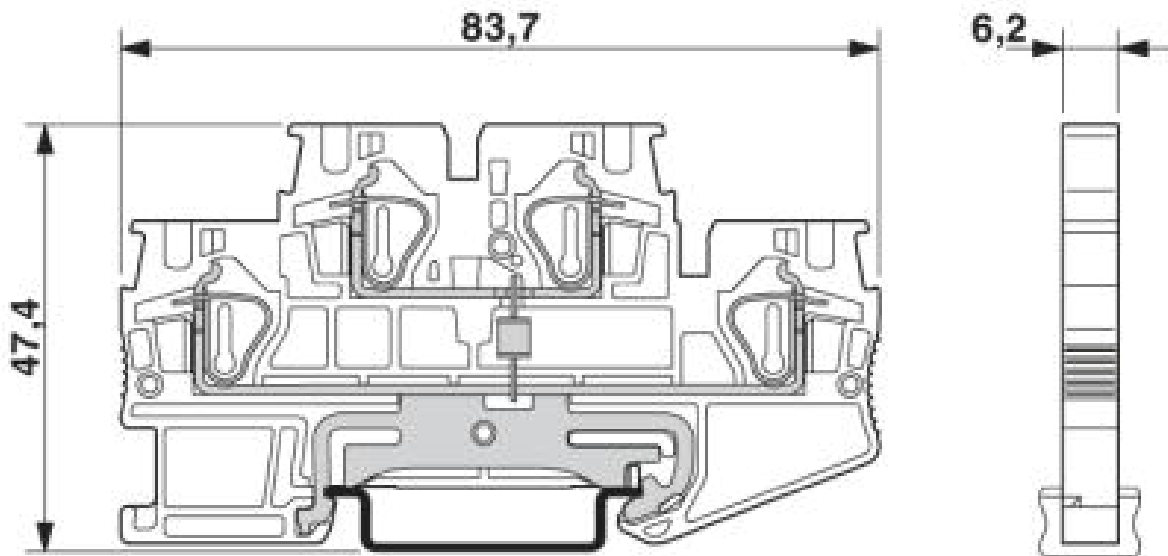
ZB 6:SO/CMS - 1050499



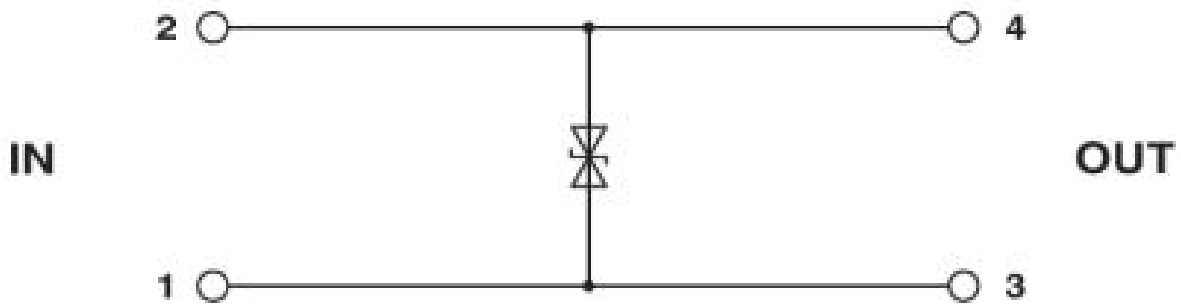
Drawings

Surge protection device - TT-STTB-24 - 2858140

Dimensioned drawing

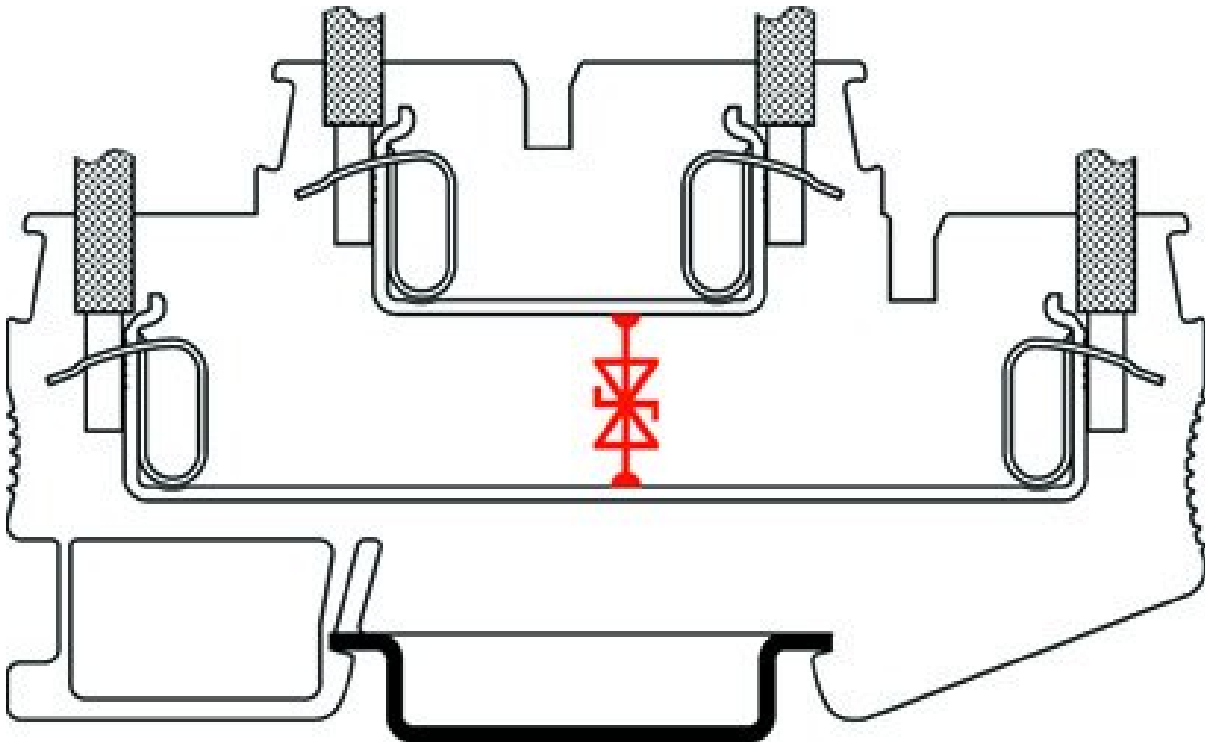


Circuit diagram



Surge protection device - TT-STTB-24 - 2858140

Schematic diagram



© Phoenix Contact 2014 - all rights reserved
<http://www.phoenixcontact.com>