

# Surge protection device - CN-LAMBDA/4-2.25-BB - 2801057

Please be informed that the data shown in this PDF Document is generated from our Online Catalog. Please find the complete data in the user's documentation. Our General Terms of Use for Downloads are valid (<http://download.phoenixcontact.com>)



Attachment plug with Lambda/4 technology as surge protection for coaxial signal interfaces.  
Connection: N connectors socket-socket

## Key commercial data

<b>package_quantity</b>	1
<b>GTIN</b>	4046356679091

## Technical data

### Dimensions

<b>Height</b>	78.7 mm
<b>Width</b>	25 mm
<b>Depth</b>	77.5 mm
<b>Length</b>	77.5 mm

### Ambient conditions

<b>Ambient temperature (operation)</b>	-40 °C ... 85 °C
<b>Degree of protection</b>	IP68

### General

<b>Housing material</b>	HPb59-1
<b>Color</b>	nickel
<b>Standards for air and creepage distances</b>	IEC 60664-1
<b>Mounting type</b>	Connection-specific intermediate plugging
<b>Type</b>	Attachment plug
<b>Number of positions</b>	1
<b>Direction of action</b>	Line-Shield/Earth Ground

### Protective circuit

<b>IEC test classification</b>	C2
<b>IEC test classification</b>	C3
<b>IEC test classification</b>	D1
<b>Nominal current <math>I_N</math></b>	5 A (25 °C)
<b>Nominal discharge current <math>I_n</math> (8/20) <math>\mu</math>s</b>	50 kA
<b>Nominal discharge current <math>I_n</math> (8/20) <math>\mu</math>s (Core-Earth)</b>	50 kA
<b>Nominal discharge current <math>I_n</math> (8/20) <math>\mu</math>s (Core-Shield)</b>	50 kA

# Surge protection device - CN-LAMBDA/4-2.25-BB - 2801057

## Technical data

### Protective circuit

Total surge current (8/20) $\mu$ s	60 kA
Total surge current (10/350) $\mu$ s	20 kA
Max. discharge current $I_{max}$ (8/20) $\mu$ s	60 kA
Max. discharge current $I_{max}$ (8/20) $\mu$ s maximum (Core-Earth)	60 kA
Max. discharge current $I_{max}$ (8/20) $\mu$ s maximum (Core-Shield)	60 kA
Impulse discharge current (10/350) $\mu$ s, peak value $I_{imp}$	20 kA
Output voltage limitation at 1 kV/ $\mu$ s (Core-Earth) spike	$\leq 1$ V
Output voltage limitation at 1 kV/ $\mu$ s (Core-Shield) spike	$\leq 1$ V
Voltage protection level $U_p$ (Core-Earth)	$\leq 25$ V (C2 - 10 kV / 5 kA)
Voltage protection level $U_p$ (Core-Earth)	$\leq 5$ V (C1 - 1 kV/500 A)
Voltage protection level $U_p$ (Core-Earth)	$\leq 18$ V (6 kV/3 kA)
Voltage protection level $U_p$ (Core-Shield)	$\leq 5$ V (C1 - 1 kV/500 A)
Voltage protection level $U_p$ (Core-Shield)	$\leq 25$ V (C2 - 10 kV / 5 kA)
Voltage protection level $U_p$ (Core-Shield)	$\leq 18$ V (6 kV/3 kA)
Input attenuation aE, asym.	typ. 0.1 dB
Frequency range	0.8 GHz ... 2.25 GHz
Standing wave ratio SWR in a 50 $\Omega$ system	typ. 1.2
Standing wave ratio SWR in a 50 $\Omega$ system	max. 1.25
Permissible HF power $P_{max}$ at VSWR = xx (50 ohm system)	$\leq 500$ W
Permissible HF power $P_{max}$ at VSWR = xx (50 ohm system)	$\leq 4$ kW (peak)
Surge carrying capacity in acc. with IEC 61643-21 (Core-Earth)	C1 (1 kV / 500 A)
Surge carrying capacity in acc. with IEC 61643-21 (Core-Earth)	C2 (10 kV/5 kA)
Surge carrying capacity in acc. with IEC 61643-21 (Core-Earth)	D1 (2.5 kA)

### Connection data

Connection method	N connector 50 $\Omega$
Connection type IN	N connector, female
Connection type OUT	N connector, female

## classifications

### eCl@ss

eCl@ss 4.0	27140201
eCl@ss 4.1	27130801
eCl@ss 5.0	27130801
eCl@ss 5.1	27130801
eCl@ss 6.0	27130807
eCl@ss 7.0	27130807
eCl@ss 8.0	27130807

### ETIM

ETIM 3.0	EC000943
----------	----------

# Surge protection device - CN-LAMBDA/4-2.25-BB - 2801057

## classifications

### ETIM

<b>ETIM 4.0</b>	EC000943
<b>ETIM 5.0</b>	EC000943

### UNSPSC

<b>UNSPSC 6.01</b>	30212010
<b>UNSPSC 7.0901</b>	39121610
<b>UNSPSC 11</b>	39121610
<b>UNSPSC 12.01</b>	39121610
<b>UNSPSC 13.2</b>	39121620

## accessories

### Assembly adapter

CN-UB/MP - 2818135



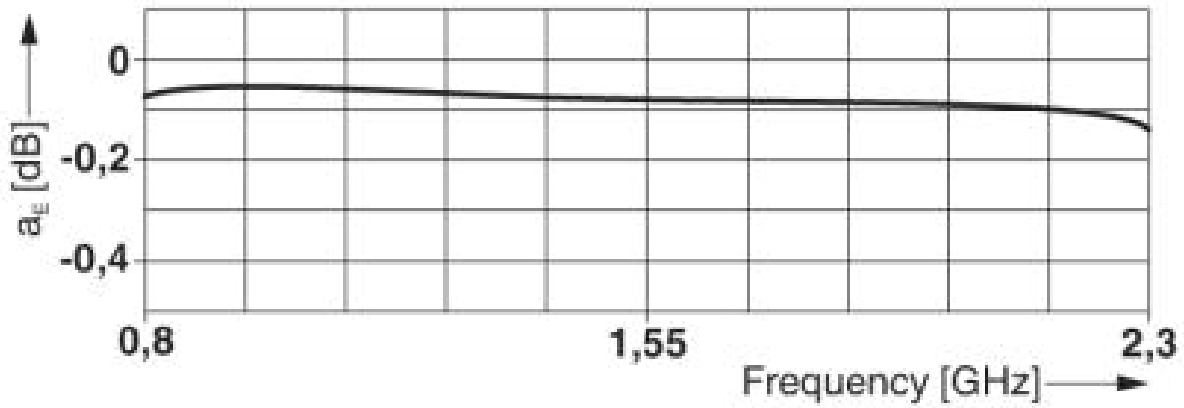
CN-UB/MP-90DEG-50 - 2803137



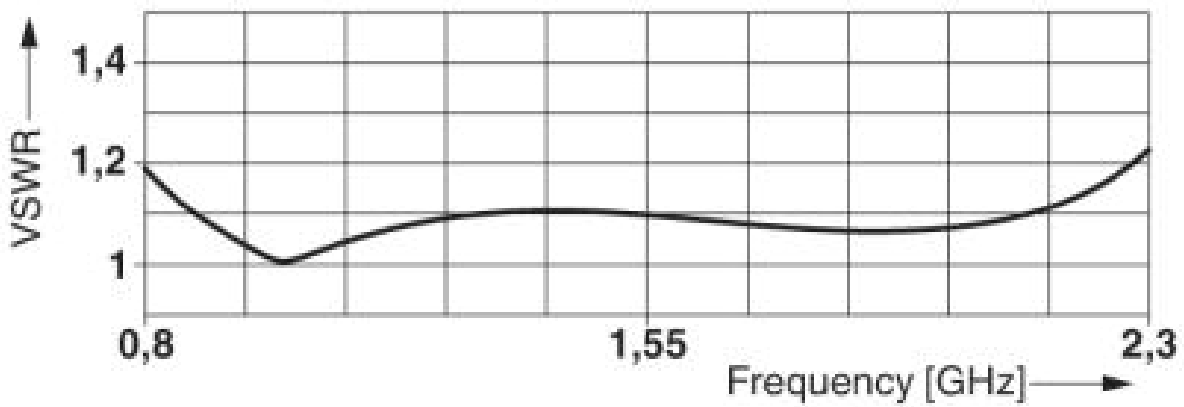
## Drawings

# Surge protection device - CN-LAMBDA/4-2.25-BB - 2801057

Diagram

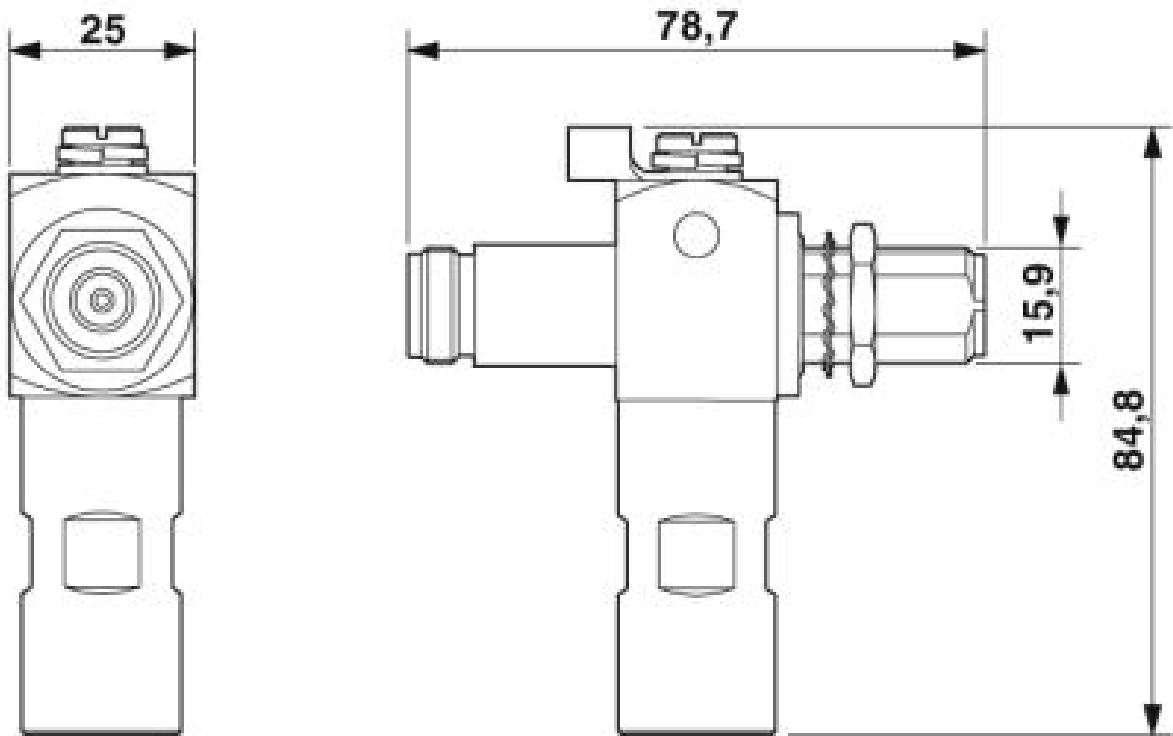


Diagram



# Surge protection device - CN-LAMBDA/4-2.25-BB - 2801057

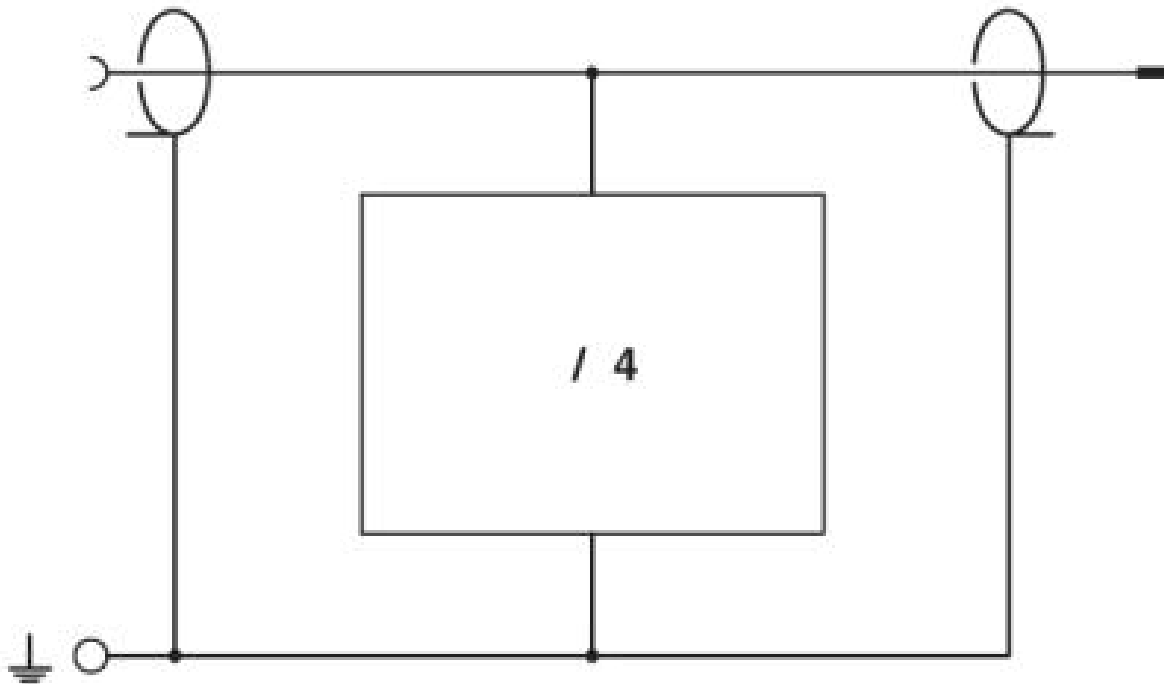
Dimensioned drawing



Dimensional drawing CN-LAMBDA/4-2.25-BB

# Surge protection device - CN-LAMBDA/4-2.25-BB - 2801057

Circuit diagram



Circuit diagram

© Phoenix Contact 2014 - all rights reserved  
<http://www.phoenixcontact.com>