

Type 2 surge protection plug - VAL-MS 230 ST - 2798844

Please be informed that the data shown in this PDF Document is generated from our Online Catalog. Please find the complete data in the user's documentation. Our General Terms of Use for Downloads are valid (<http://download.phoenixcontact.com>)



Surge protection connector type 2 with high-capacity varistor for VAL-MS base element, thermal monitoring, visual fault warning. Design: 230 V AC



Key commercial data

package_quantity	10
GTIN	4017918073947

Technical data

Dimensions

Height	52.4 mm
Width	17.5 mm
Depth	55.3 mm
Horizontal pitch	1 Div.

Ambient conditions

Degree of protection	IP20
Ambient temperature (operation)	-40 °C ... 80 °C
Ambient temperature (storage/transport)	-40 °C ... 80 °C
Altitude	≤ 2000 m (amsl (above mean sea level))
Permissible humidity (operation)	5 % ... 95 %
Shock (operation)	25 g
Vibration (operation)	5 g

General

Standards/specifications	IEC 61643-11 2011
Standards/specifications	EN 61643-11 2012
IEC test classification	II
IEC test classification	T2
EN type	T2
SPD design	Voltage-limiting type
Mode of protection	L-PEN
Mode of protection	L-N

Type 2 surge protection plug - VAL-MS 230 ST - 2798844

Technical data

General

Mounting type	On base element
Color	black
Housing material	PA 6.6
Pollution degree	2
Inflammability class according to UL 94	V-0
Type	DIN rail module, two-section, divisible
Number of positions	1
Arrester can be tested with CHECKMASTER from software version:	From SW rev. 1.10
Surge protection fault message	Optical

Protective circuit

Nominal voltage U_N	240/415 V AC (TN)
Nominal voltage U_N	240/415 V AC (TT)
Nominal frequency f_N	50 Hz (60 Hz)
Maximum continuous operating voltage U_C	275 V AC
Residual current I_{PE}	≤ 0.45 mA
Standby power consumption P_C	≤ 120 mVA
Nominal discharge current I_n (8/20) μ s	20 kA
Maximum discharge current I_{max} (8/20) μ s	40 kA
Short-circuit current rating I_{SCCR}	25 kA
Voltage protection level U_p	≤ 1.35 kV
Residual voltage U_{res}	≤ 1.35 kV (at I_n)
Residual voltage U_{res}	≤ 1.1 kV (at 10 kA)
Residual voltage U_{res}	≤ 1 kV (at 5 kA)
Residual voltage U_{res}	≤ 0.9 kV (at 3 kA)
TOV behavior at U_T	335 V AC (5 s / withstand mode)
TOV behavior at U_T	440 V AC (120 min / safe failure mode)
Response time t_A	≤ 25 ns
Max. required backup fuse with branch wiring	125 A AC (gG)

Connection data

Connection method	VALVETRAB plug-in system
-------------------	--------------------------

NEMA/UL protective circuit

UL class	Type 4 SPD for Type 2 applications
Maximum continuous operating voltage MCOV (L-N)	275 V AC
Nominal voltage U_N	230 V AC
Mode of protection	L-N
Power distribution system	1
Nominal frequency	50/60 Hz
Voltage protection rating VPR (L-N)	1 kV

Type 2 surge protection plug - VAL-MS 230 ST - 2798844

Technical data

NEMA/UL protective circuit

Nominal discharge current I_n (L-N)	20 kA
---------------------------------------	-------

classifications

eCl@ss

eCl@ss 4.0	27140201
eCl@ss 4.1	27130801
eCl@ss 5.0	27130801
eCl@ss 5.1	27130801
eCl@ss 6.0	27130805
eCl@ss 7.0	27130805

ETIM

ETIM 2.0	EC000941
ETIM 3.0	EC000941
ETIM 4.0	EC000941
ETIM 5.0	EC000941

UNSPSC

UNSPSC 6.01	30212010
UNSPSC 7.0901	39121610
UNSPSC 11	39121610
UNSPSC 12.01	39121610
UNSPSC 13.2	39121620

approvals

IECEE CB Scheme / CSA / UL Recognized / KEMA-KEUR / ÖVE / cUL Recognized / GOST / GL / CCA / KEMA-KEUR / cULus Recognized /


Approval details

--

Nominal voltage UN	230 V
Nominal current IN	
mm ² /AWG/kcmil	

Type 2 surge protection plug - VAL-MS 230 ST - 2798844

approvals

UL Recognized 

KEMA-KEUR 

ÖVE 

cUL Recognized 

GOST 

GL

CCA



cULus Recognized 

accessories

Labeled device marker

ZBN 18,LGS:ERDE - 2749589



Type 2 surge protection plug - VAL-MS 230 ST - 2798844

accessories

ZBN 18,LGS:L1-N,ERDE - 2749576



Device marking

ZBN 18:UNBEDRUCKT - 2809128



Marker pen

B-STIFT - 1051993



accessories

ZBN 18:SO/CMS - 0800763



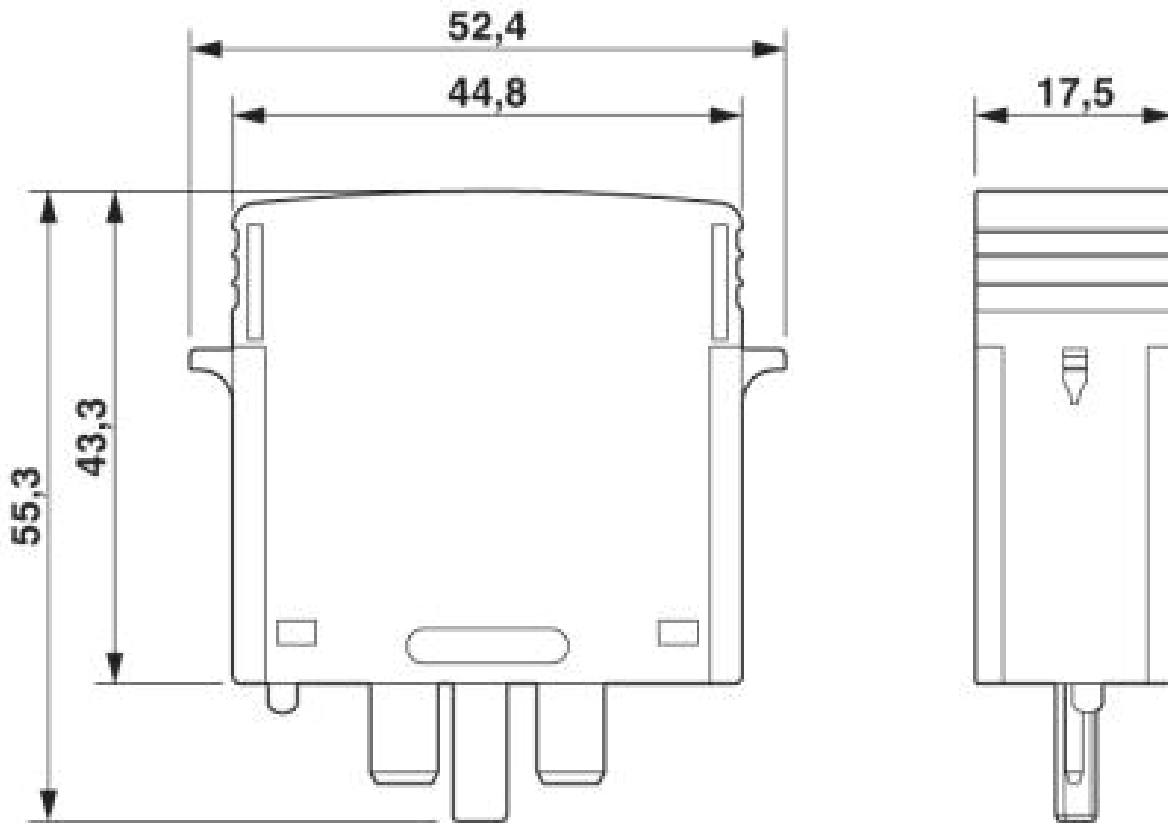
ZBN 18,LGS:L1-N,ERDE - 2830469



Type 2 surge protection plug - VAL-MS 230 ST - 2798844

Drawings

Dimensioned drawing



Type 2 surge protection plug - VAL-MS 230 ST - 2798844

Circuit diagram

