

EMC filter - NEF 1- 6 - 2783082

Please be informed that the data shown in this PDF Document is generated from our Online Catalog. Please find the complete data in the user's documentation. Our General Terms of Use for Downloads are valid (<http://download.phoenixcontact.com>)



Mains interference filter, with universal foot for mounting on NS 32 and NS 35/7.5, nominal current: 6 A

Product Features

- For single-phase circuits
- DIN rail module



Key commercial data

package_quantity	5
GTIN	4017918069803

Technical data

Dimensions

Height	79.4 mm
Width	40 mm
Depth	84.1 mm

Ambient conditions

Degree of protection	IP20
Ambient temperature (operation)	-25 °C ... 100 °C (HMF)

General

Housing material	PA
Inflammability class according to UL 94	V2
Color	black
Standards for air and creepage distances	IEC 60664-1
Standards for air and creepage distances	VDE 0110-1
Type	Rail-mountable module, one-piece
Mounting type	DIN rail/G-profile rail
Direction of action	1L-N & N-PE

Protective circuit

Nominal voltage U_N	240 V AC
Max. operating voltage U_{max}	264 V AC

EMC filter - NEF 1- 6 - 2783082

Technical data

Protective circuit

Arrester rated voltage U_c (L-N)	264 V AC
Arrester rated voltage U_c (L-PE)	250 V AC
Nominal frequency f_N	50 Hz
Nominal frequency f_N	60 Hz
Nominal current I_N	6 A (40°C)
Operating effective current I_c at U_c	≤ 0.25 mA
Residual current I_{PE}	≤ 0.5 mA
Inductivity in series	2x 2.7 mH (in acc. with VDE 0565-2 with current compensation)
Capacity (L-N)	2x 470 nF (X2)
Capacity (L-PE)	2x 2.2 nF (Y2)
Max. required back-up fuse	6.3 A (gL/C)
Input attenuation aE, sym.	> 80 dB (50 Ω / 1 MHz)
Input attenuation aE, asym.	> 40 dB (50 Ω / 1 MHz)

Non-heating apparatus connection, power supply

Connection method	Screw connection
Connection type IN	Screw terminal blocks
Connection type OUT	Screw terminal blocks
Screw thread	M3
Tightening torque	0.8 Nm
Stripping length	8 mm
Conductor cross section stranded min.	0.2 mm ²
Conductor cross section stranded max.	2.5 mm ²
Conductor cross section solid min.	0.2 mm ²
Conductor cross section solid max.	4 mm ²
Conductor cross section AWG/kcmil min.	24
Conductor cross section AWG/kcmil max	12

Standards and Regulations

Standards/regulations	IEC 60939-2
Standards/regulations	DIN EN 60939-2

Protective circuit, filter

Discharge resistor	1 M Ω
--------------------	--------------

classifications

eCl@ss

eCl@ss 4.0	27140201
eCl@ss 4.1	27130801
eCl@ss 5.0	27130801
eCl@ss 5.1	27130801
eCl@ss 6.0	27130806

EMC filter - NEF 1- 6 - 2783082

classifications

eCl@ss

eCl@ss 7.0	27130806
eCl@ss 8.0	27130806

ETIM

ETIM 2.0	EC000942
ETIM 3.0	EC000942
ETIM 4.0	EC000942
ETIM 5.0	EC000942

UNSPSC

UNSPSC 6.01	30212010
UNSPSC 7.0901	39121610
UNSPSC 11	39121610
UNSPSC 12.01	39121610
UNSPSC 13.2	39121620

approvals

VDE Zeichengenehmigung / GOST / GL / GL-SW / GL /

Approval details

VDE Zeichengenehmigung	
Nominal voltage UN	250 V
Nominal current IN	6 A
mm ² /AWG/kcmil	2.5

GOST

GL

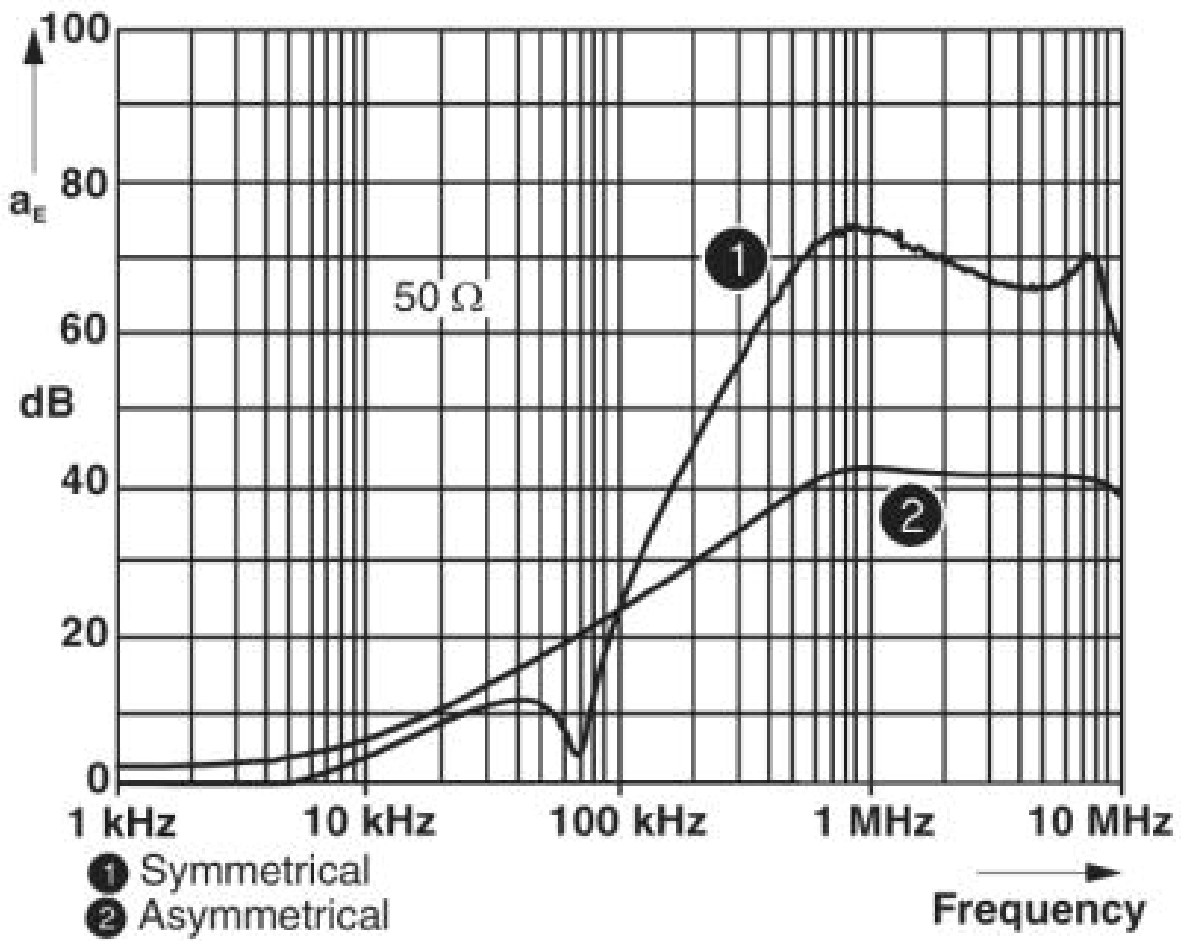
GL-SW

--

Drawings

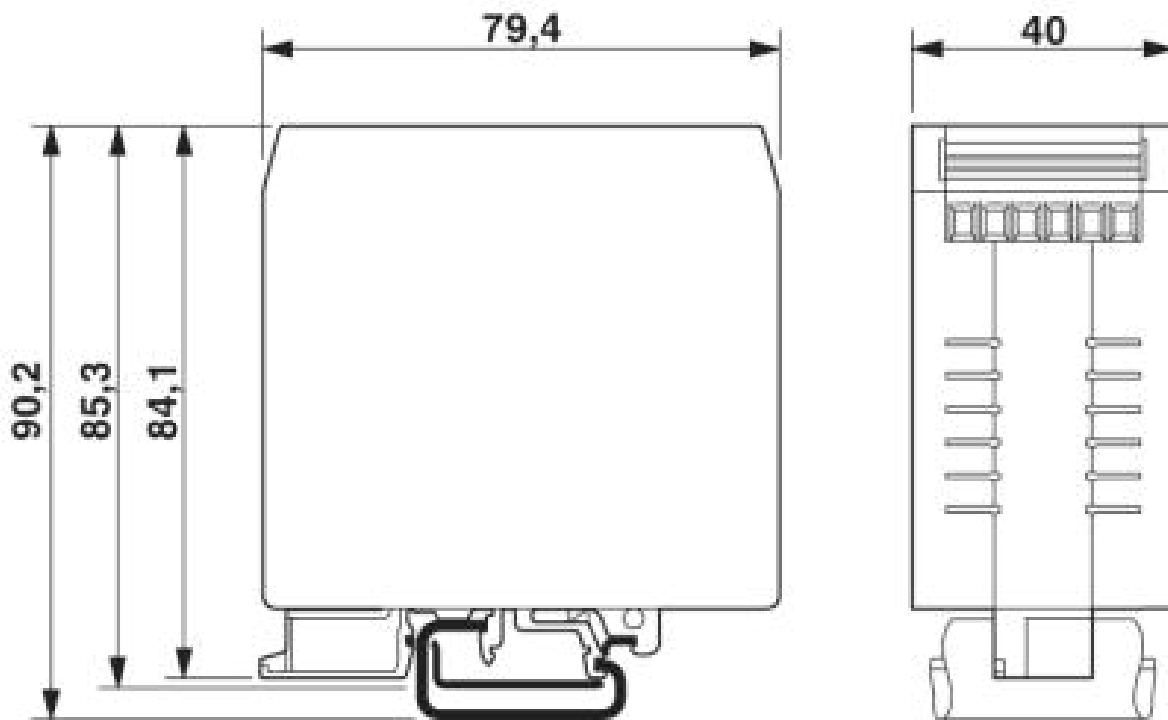
EMC filter - NEF 1- 6 - 2783082

Diagram



EMC filter - NEF 1- 6 - 2783082

Dimensioned drawing



Circuit diagram

