

Thermomagnetic device circuit breaker - TMC 1 M1 100 2,0A - 0914455

Please be informed that the data shown in this PDF Document is generated from our Online Catalog. Please find the complete data in the user's documentation. Our General Terms of Use for Downloads are valid (<http://download.phoenixcontact.com>)



Thermomagnetic circuit breaker, 1-pos., normal blow, 1 N/O contact, with universal foot for mounting on NS 32 or NS 35

The illustration shows version TMC 1 F1 100 1A

Key commercial data

package_quantity	6
GTIN	4017918009137

Technical data

General

Number of levels	2
Number of connections	4
Mounting type	DIN rail: 35 mm
Color	black
Number of positions	1
Surge voltage category	II
Insulating material	PA66
Inflammability class according to UL 94	V-2

Electrical data

Fuse type	Automatic device
Rated surge voltage	2.5 kV
Rated voltage	250 V AC
Rated voltage	65 V DC
Rated current I _n	2 A
Insulation resistance R _{iso}	> 100 MΩ (500 V DC)
Rated short-circuit switching capacity I _{cn}	400 A
Rated short-circuit switching capacity I _{cn}	2500 A (32 V DC)
Short-circuit switching capacity I _k	5000 A UL 1077: 277 V AC
Short-circuit switching capacity I _k	2000 A UL 1077: 65 V DC
Dielectric strength	3000 V AC (Actuation area)
Dielectric strength	3000 V AC (Main to auxiliary circuit)

Thermomagnetic device circuit breaker - TMC 1 M1 100 2,0A - 0914455

Technical data

Electrical data

Cycles, max.	10000 (At 1 x I _n , inductive)
Pollution degree	2
Surge voltage category	II
Insulating material group	II

Dimensions

Height	82.5 mm
Width	12.5 mm
Depth	96 mm

Ambient conditions

Degree of protection	IP30 (Actuation area)
Degree of protection	IP20 (Connection area)
Ambient temperature (operation)	-30 °C ... 60 °C

Connection data

Conductor cross section solid min.	0.2 mm ²
Conductor cross section solid max.	6 mm ²
Conductor cross section stranded min.	0.2 mm ²
Conductor cross section stranded max.	4 mm ²
Conductor cross section AWG/kcmil min.	24
Conductor cross section AWG/kcmil max	10
Conductor cross section stranded, with ferrule without plastic sleeve min.	0.25 mm ²
Conductor cross section stranded, with ferrule without plastic sleeve max.	4 mm ²
Conductor cross section stranded, with ferrule with plastic sleeve min.	0.25 mm ²
Conductor cross section stranded, with ferrule with plastic sleeve max.	2.5 mm ²
2 conductors with same cross section, solid min.	0.2 mm ²
2 conductors with same cross section, solid max.	0.75 mm ²
2 conductors with same cross section, stranded min.	0.2 mm ²
2 conductors with same cross section, stranded max.	0.75 mm ²
2 conductors with same cross section, stranded, ferrules without plastic sleeve, min.	0.25 mm ²
2 conductors with same cross section, stranded, ferrules without plastic sleeve, max.	1 mm ²
2 conductors with same cross section, stranded, TWIN ferrules with plastic sleeve, min.	0.5 mm ²
2 conductors with same cross section, stranded, TWIN ferrules with plastic sleeve, max.	2.5 mm ²
Connection method	Screw connection
Stripping length	12 mm

Thermomagnetic device circuit breaker - TMC 1 M1 100 2,0A - 0914455

Technical data

Connection data

Internal cylindrical gage	A3
Screw thread	M3
Tightening torque, min	0.6 Nm
Tightening torque max	0.8 Nm

Standards and Regulations

Standards/specifications	EN 60934
Standards/specifications	UL 1077

classifications

eCl@ss

eCl@ss 4.0	27141116
eCl@ss 4.1	27141116
eCl@ss 5.0	27141116
eCl@ss 5.1	27141116
eCl@ss 6.0	27141116
eCl@ss 7.0	27141116
eCl@ss 8.0	27141116

ETIM

ETIM 2.0	EC000899
ETIM 3.0	EC000899
ETIM 4.0	EC000899
ETIM 5.0	EC000899

UNSPSC

UNSPSC 6.01	30211812
UNSPSC 7.0901	39121411
UNSPSC 11	39121411
UNSPSC 12.01	39121411
UNSPSC 13.2	39121411

approvals


CSA / UL Recognized / VDE Zeichengenehmigung / GOST /

Approval details



Thermomagnetic device circuit breaker - TMC 1 M1 100 2,0A - 0914455

approvals

UL Recognized 

VDE Zeichengenehmigung 

GOST 

accessories

Screwdriver tools

SZS 0,6X3,5 - 1205053



Mounting rail

NS 35/ 7,5 PERF 2000MM - 0801733



NS 35/ 7,5 CU UNPERF 2000MM - 0801762



Thermomagnetic device circuit breaker - TMC 1 M1 100 2,0A - 0914455

accessories

NS 32 CU/120QMM UNPERF 2000MM - 1201280



NS 35/15 UNPERF 2000MM - 1201714



NS 32 CU/35QMM UNPERF 2000MM - 1201358



NS 32 AL UNPERF 2000MM - 1201028



NS 32 UNPERF 2000MM - 1201015



Thermomagnetic device circuit breaker - TMC 1 M1 100 2,0A - 0914455

accessories

NS 32 PERF 2000MM - 1201002



NS 35/15 CU UNPERF 2000MM - 1201895



NS 35/15-2,3 UNPERF 2000MM - 1201798



NS 35/15 AL UNPERF 2000MM - 1201756



NS 35/15 PERF 2000MM - 1201730



End block

Thermomagnetic device circuit breaker - TMC 1 M1 100 2,0A - 0914455

accessories

E/UK 1 - 1201413



Bridge

EB 80-12 - 3009338



accessories

ZB 6:SO/CMS - 1050499

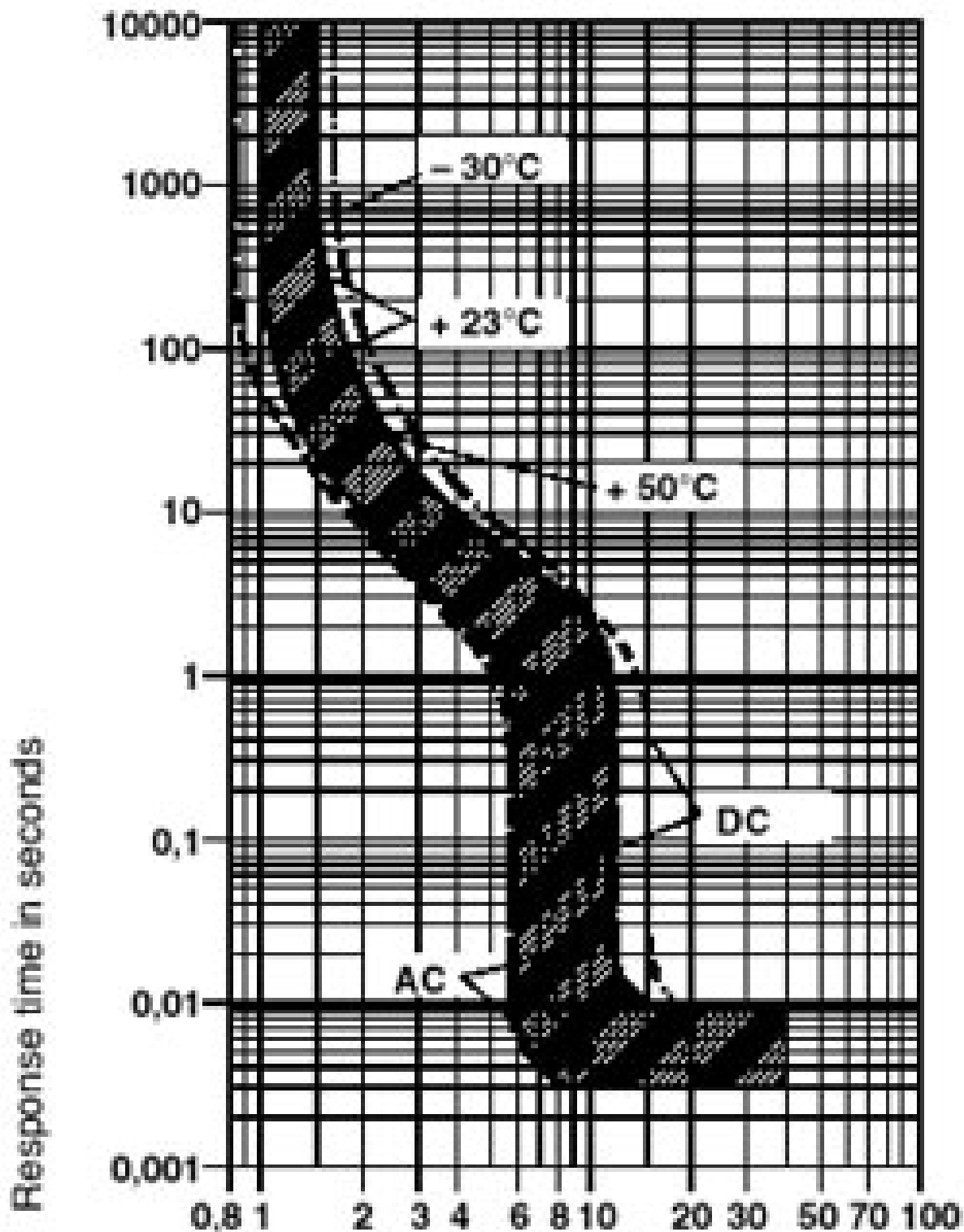


Drawings

Thermomagnetic device circuit breaker - TMC 1 M1 100 2,0A - 0914455

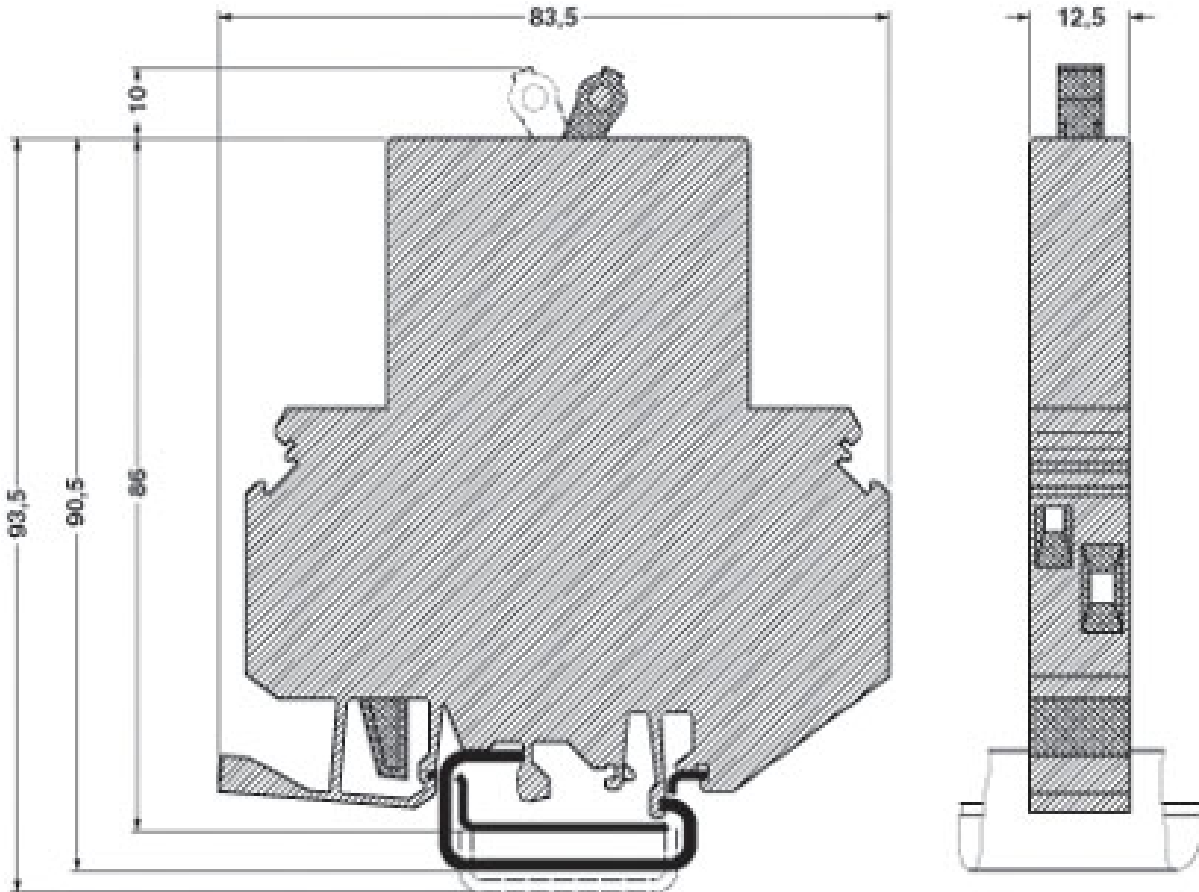
Diagram

lower tripping limit: $1.05 I_N$
upper tripping limit: $1.4 I_N$



Thermomagnetic device circuit breaker - TMC 1 M1 100 2,0A - 0914455

Dimensioned drawing



© Phoenix Contact 2014 - all rights reserved
<http://www.phoenixcontact.com>