

# Multiple relay module - EMUG 22- 4REL/KSR-G 24/ 1 - 2943754

Please be informed that the data shown in this PDF Document is generated from our Online Catalog. Please find the complete data in the user's documentation. Our General Terms of Use for Downloads are valid (<http://download.phoenixcontact.com>)



Relay module, multi-channel, with 4 soldered-in miniature switching relays for DC voltage with light indicator and 1 N/O contact each, contact for medium to large loads, input voltage 24 V DC



## Key commercial data

package_quantity	5
GTIN	4017918081300

## Technical data

### Dimensions

Width	22.5 mm
Height	60 mm
Depth	79 mm

### Ambient conditions

Ambient temperature (operation)	-20 °C ... 55 °C
---------------------------------	------------------

### Coil side

Nominal input voltage $U_N$	24 V DC
Input voltage range in reference to $U_N$	0.8 ... 1.1
Typical input current at $U_N$	12 mA
Typical response time	6 ms
Typical release time	10 ms
Operating voltage display	Yes
Protective circuit	Damping diode, polarity protection Damping diode, polarity protection diode

### Contact side

Contact type	Single contact, 1 N/O contact
Contact material	Silver cadmium oxide (AgCdO)
Maximum switching voltage	250 V AC/DC
Maximum inrush current	6 A
Limiting continuous current	6 A
Interrupting rating (ohmic load) max.	144 W (at 24 V DC)

# Multiple relay module - EMUG 22- 4REL/KSR-G 24/ 1 - 2943754

## Technical data

### Contact side

Interrupting rating (ohmic load) max.	70 W (at 48 V DC)
Interrupting rating (ohmic load) max.	55 W (at 60 V DC)
Interrupting rating (ohmic load) max.	50 W (at 110 V DC)
Interrupting rating (ohmic load) max.	50 W (at 220 V DC)
Interrupting rating (ohmic load) max.	1500 VA (for 250 V AC)

### General

Test voltage relay winding/relay contact	2.5 kV AC (50 Hz, 1 min.)
Operating mode	100% operating factor
Mechanical service life	Approx. $2 \times 10^7$ cycles
Standards/regulations	IEC 60664
Standards/regulations	IEC 60664 A
Standards/regulations	DIN VDE 0110
Standards/regulations	DIN VDE 0109-11, draft
Standards/regulations	DIN EN 50178/VDE 0160
Standards/regulations	IEC 60255/DIN VDE 0435 (in relevant parts)
Pollution degree	2
Surge voltage category	III
Mounting position	any
Assembly instructions	In rows with zero spacing

### Connection data

Connection method	Screw/plug-in connection
-------------------	--------------------------

## classifications

### eCl@ss

eCl@ss 4.0	27371102
eCl@ss 4.1	27371102
eCl@ss 5.0	27371001
eCl@ss 5.1	27371001
eCl@ss 6.0	27371001
eCl@ss 7.0	27371001
eCl@ss 8.0	27371001

### ETIM

ETIM 2.0	EC000196
ETIM 3.0	EC000196
ETIM 4.0	EC000196
ETIM 5.0	EC000196

### UNSPSC

UNSPSC 6.01	30211916
UNSPSC 7.0901	39121543

# Multiple relay module - EMUG 22- 4REL/KSR-G 24/ 1 - 2943754

## classifications

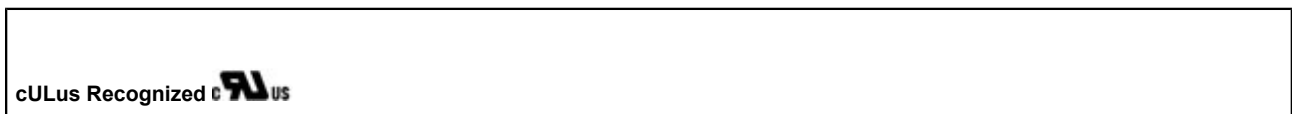
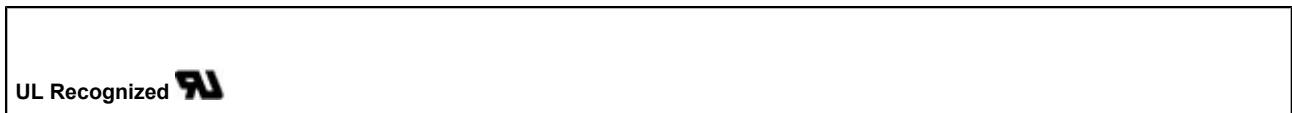
### UNSPSC

UNSPSC 11	39121543
UNSPSC 12.01	39121543
UNSPSC 13.2	39121543

## approvals

UL Recognized / cUL Recognized / cULus Recognized /

### Approval details



## accessories

EMG-GKS 12 - 2947035



MSTB-SET/EMUG 22- 4REL - 1780235

## Multiple relay module - EMUG 22- 4REL/KSR-G 24/ 1 - 2943754

accessories

MSTBP-SET/EMUG 22- 4REL - 1780264

---

MVSTBR-SET/EMUG 22- 4REL - 1780293

---

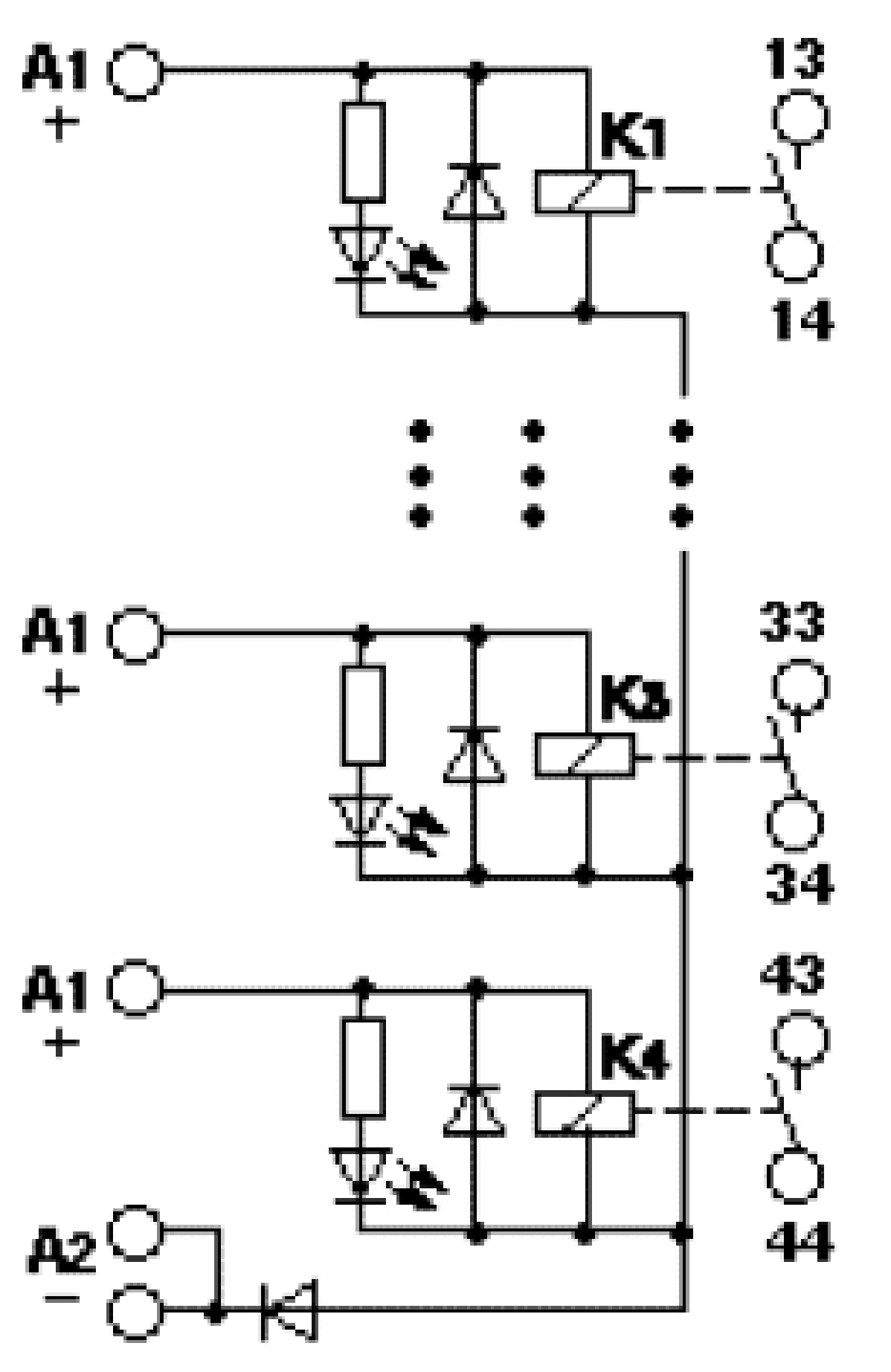
FRONT-MSTB-SET/EMUG 22- 4REL - 1780329

---

Drawings

# Multiple relay module - EMUG 22- 4REL/KSR-G 24/ 1 - 2943754

Circuit diagram





© Phoenix Contact 2014 - all rights reserved  
<http://www.phoenixcontact.com>