

Signal duplicator - MINI MCR-SL-UI-2I-NC - 2864176

Please be informed that the data shown in this PDF Document is generated from our Online Catalog. Please find the complete data in the user's documentation. Our General Terms of Use for Downloads are valid (<http://download.phoenixcontact.com>)



4-way signal duplicator for electrical isolation and duplication of analog signals with screw connection, standard configuration

Product Description

The 6.2 mm wide configurable 4-way isolating amplifier MINI MCR-SL-UI-2I-... is used for electrical isolation, conversion, amplification and filtering of standard signals. On the input side, the analog standard signals 0...20 mA, 4...20 mA, 0...10 V or 1...5V can be selected, on the output side there are two current outputs that can be set independently of one another with a 0...20 mA-, or 4...20mA signal, electrically isolated (4-way isolation). The DIP switches, which can be accessed on the side of the housing, can be used to configure the input and output signal ranges. Power (19.2 V DC to 30 V DC) can be supplied through connection terminal blocks on the modules or in conjunction with the DIN rail connector.

Product Features

- Power supply possible via the foot element (T-connector)
- Highly-compact isolating amplifier for electrical isolation, conversion, amplification, filtering, and duplication of standard analog signals
- Up to 8 signal combinations can be configured using DIP switches
- 4-way isolation
- Duplication of a standard analog signal on two current outputs



Key commercial data

package_quantity	1
GTIN	4017918974800

Technical data

Note

Utilization restriction	EMC: class A product, see manufacturer's declaration in the download area
-------------------------	---

Dimensions

Width	6.2 mm
Height	93.1 mm
Depth	102.5 mm

Ambient conditions

Ambient temperature (operation)	-20 °C ... 60 °C
Ambient temperature (storage/transport)	-40 °C ... 85 °C

Signal duplicator - MINI MCR-SL-UI-2I-NC - 2864176

Technical data

Ambient conditions

Degree of protection	IP20
----------------------	------

Input data

Configurable/programmable	Yes, unconfigured
Voltage input signal	0 V ... 10 V (please indicate if different setting when ordering)
Voltage input signal	1 V ... 5 V
Current input signal	0 mA ... 20 mA
Current input signal	4 mA ... 20 mA
Max. input voltage	30 V
Max. input current	50 mA
Input resistance of voltage input	approx. 100 kΩ
Input resistance current input	approx. 50 Ω

Output data

Configurable/programmable	Yes, unconfigured
Current output signal	2x 0 mA ... 20 mA
Current output signal	2x 4 mA ... 20 mA
Max. output current	approx. 22 mA
Load/output load current output	≤ 250 Ω (at 20 mA)

Power supply

Nominal supply voltage	24 V DC
Supply voltage range	19.2 V DC ... 30 V DC (The T connector (ME 6,2 TBUS-2 1,5/5-ST-3,81 GN, Order No. 2869728) can be used to bridge the supply voltage. It can be snapped onto a 35 mm DIN rail according to EN 60715))
Max. current consumption	< 30 mA (at 24 V DC incl. load)
Power consumption	< 600 mW

Connection data

Connection method	Screw connection
Conductor cross section solid min.	0.2 mm ²
Conductor cross section solid max.	2.5 mm ²
Conductor cross section AWG/kcmil min.	26
Conductor cross section AWG/kcmil max	12
Conductor cross section stranded min.	0.2 mm ²
Conductor cross section stranded max.	2.5 mm ²
Stripping length	12 mm
Screw thread	M3

General

No. of channels	2
Maximum transmission error	≤ 0.2 % (of final value)
Transmission error, typical	< 0.1 %
Maximum temperature coefficient	< 0.01 %/K

Signal duplicator - MINI MCR-SL-UI-2I-NC - 2864176

Technical data

General

Temperature coefficient, typical	< 0.004 %/K
Limit frequency (3 dB)	approx. 35 Hz
Protective circuit	Transient protection
Electrical isolation	Basic insulation according to EN 61010
Surge voltage category	II
Pollution degree	2
Rated insulation voltage	50 V AC/DC
Test voltage, input/output/supply	1.5 kV (50 Hz, 1 min.)
Electromagnetic compatibility	Conformance with EMC Directive 2004/108/EC
Noise emission	EN 61000-6-4
Noise immunity	EN 61000-6-2 When being exposed to interference, there may be minimal deviations.
Color	green
Housing material	PBT
Mounting position	any
Assembly instructions	The T connector can be used to bridge the supply voltage. It can be snapped onto a 35 mm DIN rail according to EN 60715.
Conformance	CE-compliant
ATEX	# II 3 G Ex nA IIC T4 Gc X
UL, USA / Canada	UL 508 Recognized
UL, USA / Canada	Class I, Div. 2, Groups A, B, C, D T5
GL	GL EMC 2 D

EMC data

Designation	Electromagnetic RF field
Standards/regulations	EN 61000-4-3
Typical deviation from the measuring range final value	5 %
Designation	Fast transients (burst)
Standards/regulations	EN 61000-4-4
Typical deviation from the measuring range final value	5 %
Designation	Conducted interferences
Standards/regulations	EN 61000-4-6
Typical deviation from the measuring range final value	5 %

classifications

eCl@ss

eCl@ss 4.0	27210120
eCl@ss 4.1	27210120
eCl@ss 5.0	27210120
eCl@ss 5.1	27210120
eCl@ss 6.0	27210120
eCl@ss 7.0	27210120

Signal duplicator - MINI MCR-SL-UI-2I-NC - 2864176

classifications

eCl@ss

eCl@ss 8.0	27210120
------------	----------

ETIM

ETIM 2.0	EC001485
ETIM 3.0	EC001485
ETIM 4.0	EC001485
ETIM 5.0	EC001485

UNSPSC

UNSPSC 6.01	30211506
UNSPSC 7.0901	39121008
UNSPSC 11	39121008
UNSPSC 12.01	39121008
UNSPSC 13.2	39121008

approvals

UL Listed / cUL Listed / ATEX / UL Listed / cUL Listed / ATEX / cULus Listed / UL Recognized / cUL Recognized / GL / UL Recognized / cUL Recognized / GL / cULus Recognized /

Approval details

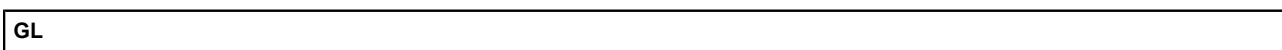
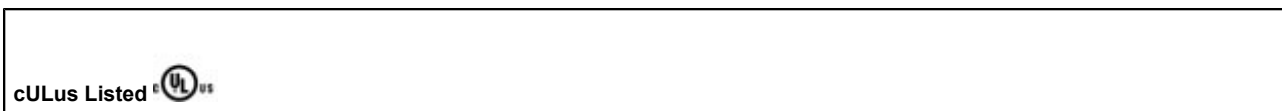
UL Listed

cUL Listed

ATEX

Signal duplicator - MINI MCR-SL-UI-2I-NC - 2864176

approvals



accessories

DIN rail connector

ME 6,2 TBUS-2 1,5/5-ST-3,81 GN - 2869728



Signal duplicator - MINI MCR-SL-UI-2I-NC - 2864176

accessories

Power module

MINI MCR-SL-PTB - 2864134



MINI MCR-SL-PTB-SP - 2864147



Power supply

MINI-SYS-PS-100-240AC/24DC/1.5 - 2866983



MINI-PS-100-240AC/24DC/1.5/EX - 2866653



Marking material

MINI MCR DKL - 2308111



Signal duplicator - MINI MCR-SL-UI-2I-NC - 2864176

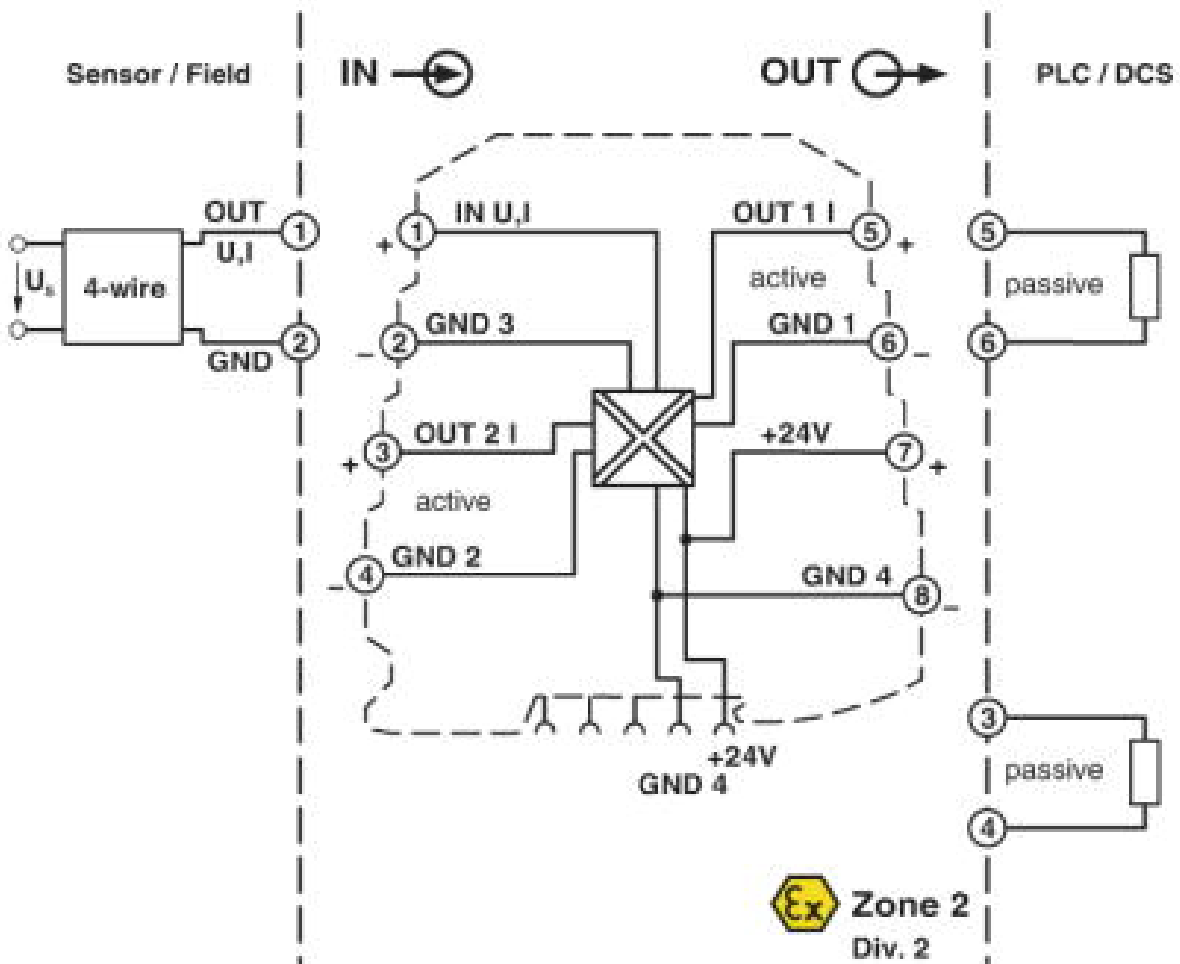
accessories

MINI MCR-DKL-LABEL - 2810272



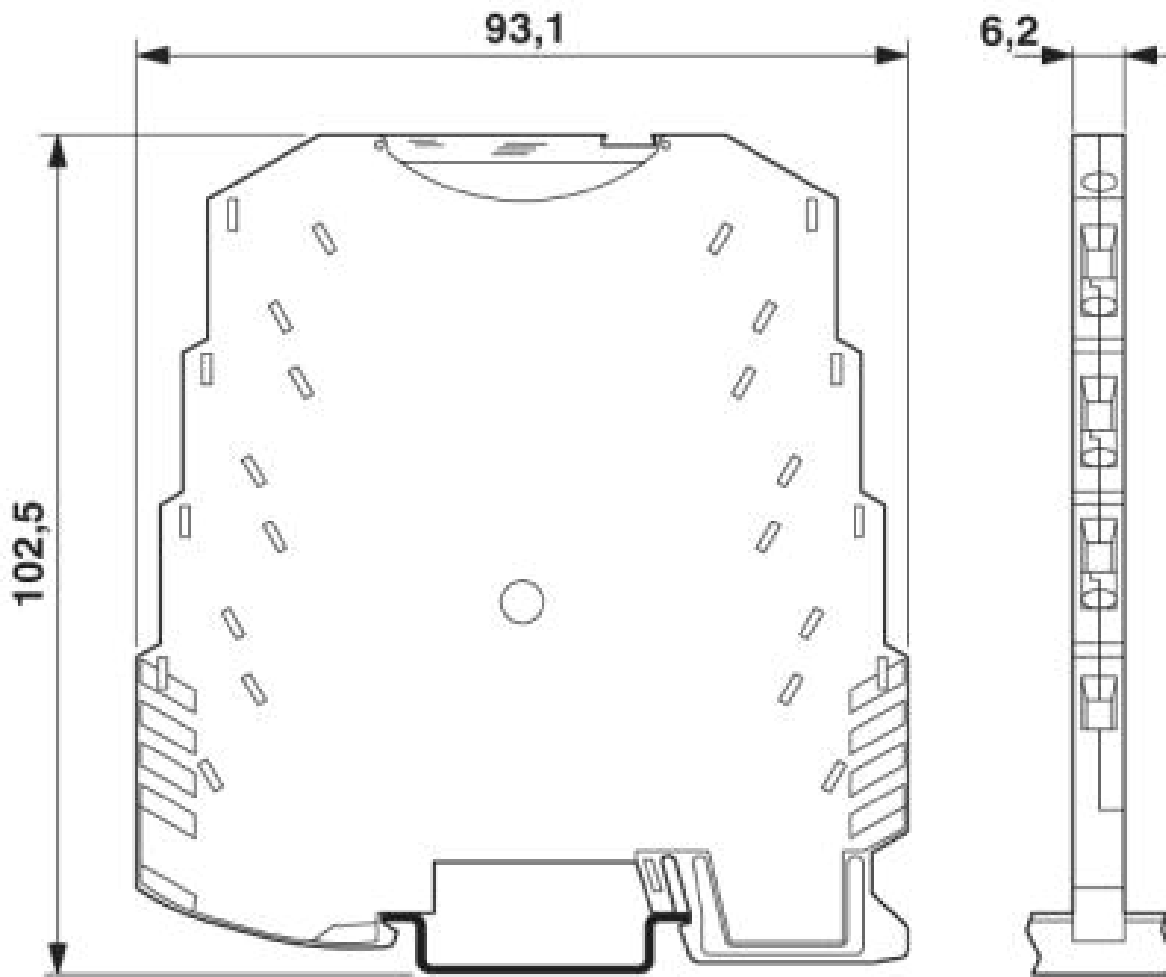
Drawings

Block diagram



Signal duplicator - MINI MCR-SL-UI-2I-NC - 2864176

Dimensioned drawing



© Phoenix Contact 2014 - all rights reserved
<http://www.phoenixcontact.com>