

Digital display - MCR-SL-D-U-I - 2864011

Please be informed that the data shown in this PDF Document is generated from our Online Catalog. Please find the complete data in the user's documentation. Our General Terms of Use for Downloads are valid (<http://download.phoenixcontact.com>)



MCR digital display, for measurement and display of standard signals, 5-fig. display

Product Features

- 48 x 24 mm display
- 8 mm LED, 7-segment
- Min./max. value saving
- 5-digit display
- For 0 ... 10 V and 0(4) ... 20 mA standard analog signals
- Electrical isolation
- Programmable
- Freely programmable decimal point display

Key commercial data

package_quantity	1
GTIN	4017918820718

Technical data

Dimensions

Width	48 mm
Height	24 mm
Depth	68 mm

Ambient conditions

Ambient temperature (operation)	-10 °C ... 50 °C
Ambient temperature (storage/transport)	-25 °C ... 70 °C
Degree of protection	IP65 from the front

Input data

Voltage input signal	0 V ... 10 V
Current input signal	4 mA ... 20 mA
Current input signal	0 mA ... 20 mA
Max. input voltage	30 V DC
Max. input current	50 mA
Input resistance of voltage input	> 1 MΩ
Input resistance current input	approx. 100 Ω with 5 mA / approx. 70 Ω with 20 mA

Digital display - MCR-SL-D-U-I - 2864011

Technical data

Power supply

Supply voltage range	10 V DC ... 30 V DC
Max. current consumption	50 mA

General

Test voltage input/power supply	500 V _{rms} (50/60 Hz, 1 min.)
Color	black
Housing material	Macrolon 2405
Conformance	CE-compliant
UL, USA / Canada	UL 508 Recognized

classifications

eCl@ss

eCl@ss 4.0	27143201
eCl@ss 4.1	27143201
eCl@ss 5.0	27143201
eCl@ss 5.1	27143201
eCl@ss 6.0	27143201
eCl@ss 7.0	27143201
eCl@ss 8.0	27143201

ETIM

ETIM 2.0	EC000677
ETIM 3.0	EC000677
ETIM 4.0	EC000677
ETIM 5.0	EC000677

UNSPSC

UNSPSC 6.01	30211506
UNSPSC 7.0901	39121008
UNSPSC 11	39121008
UNSPSC 12.01	39121008
UNSPSC 13.2	39121008

approvals

UL Recognized / cUL Recognized / GOST / cULus Recognized /

Approval details



Digital display - MCR-SL-D-U-I - 2864011

approvals

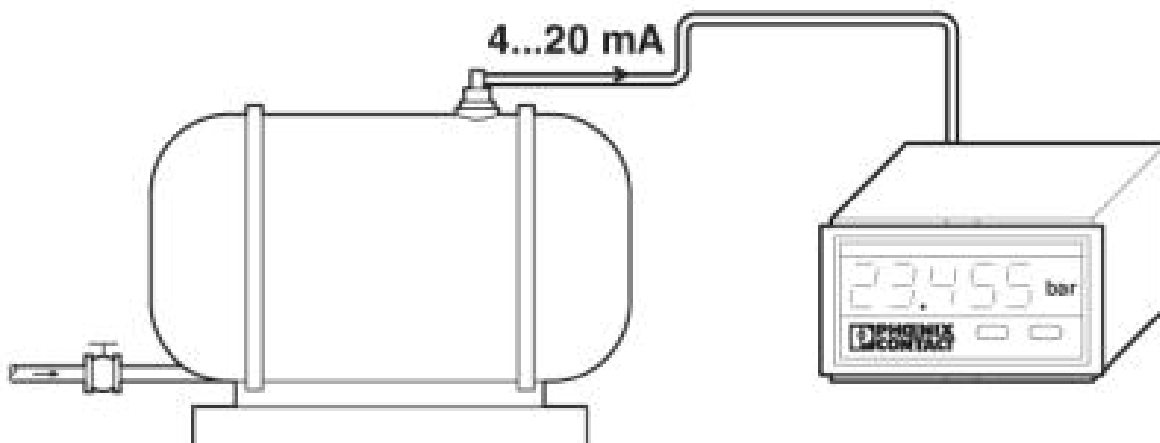
cUL Recognized

GOST

cULus Recognized

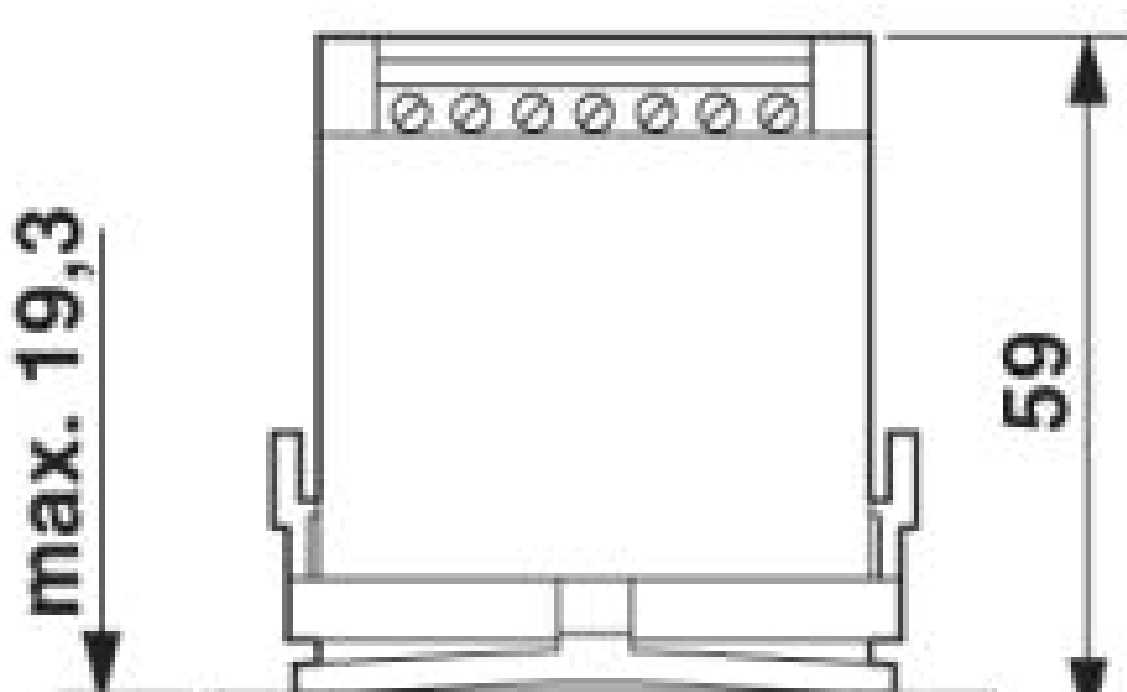
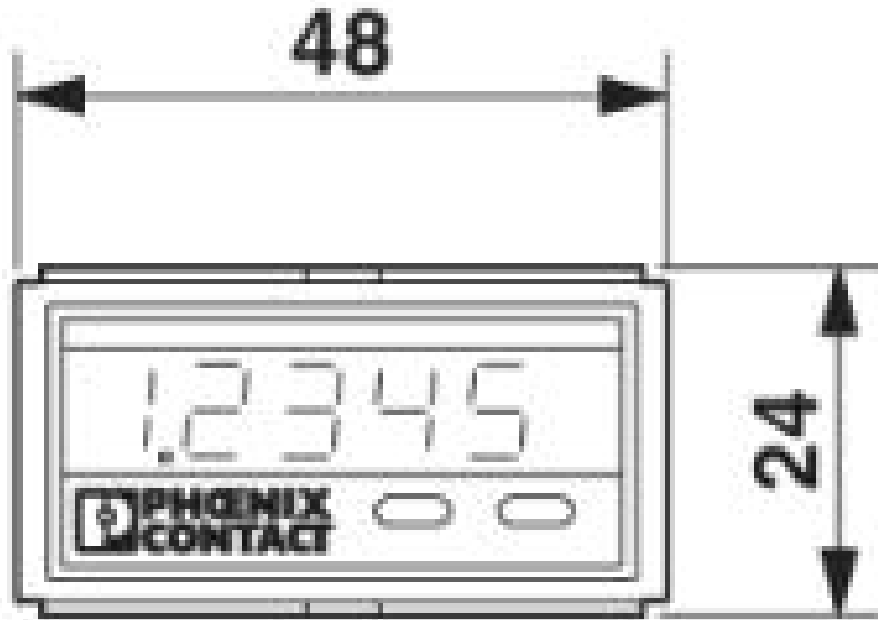
Drawings

Application drawing



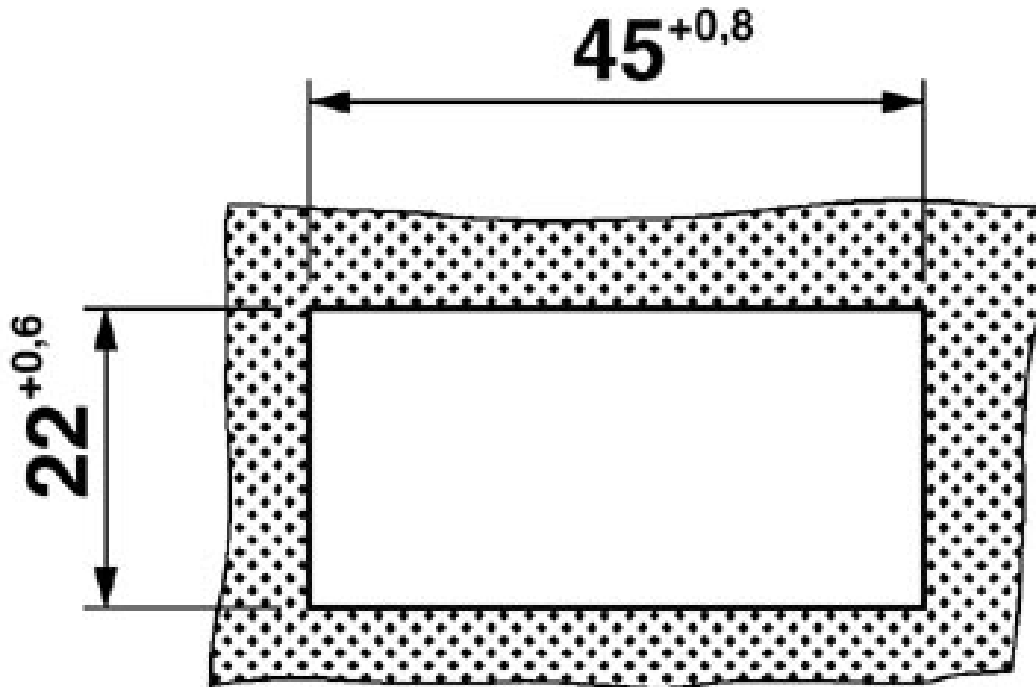
Digital display - MCR-SL-D-U-I - 2864011

Dimensioned drawing



Digital display - MCR-SL-D-U-I - 2864011

Dimensioned drawing



Digital display - MCR-SL-D-U-I - 2864011

Circuit diagram

