

Basic terminal block - PI-EX-ES-1/3 - 2835325

Please be informed that the data shown in this PDF Document is generated from our Online Catalog. Please find the complete data in the user's documentation. Our General Terms of Use for Downloads are valid (<http://download.phoenixcontact.com>)



Ex basic terminal block, with three terminal points to the field level (Ex area)



Key commercial data

package_quantity	6
GTIN	4017918164218

Technical data

Note

Utilization restriction	EMC: class A product, see manufacturer's declaration in the download area
-------------------------	---

Dimensions

Width	17.5 mm
Height	127.5 mm
Depth	92 mm

Ambient conditions

Ambient temperature (operation)	-20 °C ... 60 °C
Ambient temperature (storage/transport)	-40 °C ... 85 °C

General

Nominal voltage U_N	250 V AC (UB+, UB-)
Nom. voltage	20 V DC ... 35 V DC (See nominal voltage, PI modules)
Housing insulation material	Polyamide PA non-reinforced, polycarbonate PC, PVC
Inflammability class according to UL 94	V0
Color	green
Conformance	CE-compliant
ATEX	# II (1) GD [EEx ia] IIC
ATEX	# II 3 G Ex nA II T4 X

Connection data

Connection 1	To the control system level
Connection method	Screw connection

Basic terminal block - PI-EX-ES-1/3 - 2835325

Technical data

Connection data

Conductor cross section stranded min.	0.2 mm ²
Conductor cross section stranded max.	2.5 mm ²
Conductor cross section solid min.	0.2 mm ²
Conductor cross section solid max.	4 mm ²
Conductor cross section AWG/kcmil min.	24
Conductor cross section AWG/kcmil max	12
Screw thread	M3
Number of connections	2
Number of positions	2
Connection 2	To the field level
Connection method	Screw connection
Conductor cross section stranded min.	0.2 mm ²
Conductor cross section stranded max.	2.5 mm ²
Conductor cross section solid min.	0.2 mm ²
Conductor cross section solid max.	2.5 mm ²
Conductor cross section AWG/kcmil min.	24
Conductor cross section AWG/kcmil max	14
Screw thread	M3
Stripping length	8 mm
Number of connections	1
Number of positions	3
Tightening torque, min	0.5 Nm
Tightening torque max	0.6 Nm

classifications

eCl@ss

eCl@ss 4.0	27141127
eCl@ss 4.1	27141127
eCl@ss 5.0	27371603
eCl@ss 5.1	27371603
eCl@ss 6.0	27371603
eCl@ss 7.0	27371603
eCl@ss 8.0	27371603

ETIM

ETIM 2.0	EC000764
ETIM 3.0	EC001456
ETIM 4.0	EC001456
ETIM 5.0	EC001456

UNSPSC

UNSPSC 6.01	30211811
-------------	----------

Basic terminal block - PI-EX-ES-1/3 - 2835325

classifications

UNSPSC

UNSPSC 7.0901	39121410
UNSPSC 11	39121410
UNSPSC 12.01	39121410
UNSPSC 13.2	39121410

approvals

ATEX / GOST /

Approval details

ATEX	
Nominal voltage UN	
Nominal current IN	
mm ² /AWG/kcmil	4

GOST	
------	--

accessories

Bridge

DB 50- 90 GY - 2820929



DB 50- 90 BK - 2820916



Basic terminal block - PI-EX-ES-1/3 - 2835325

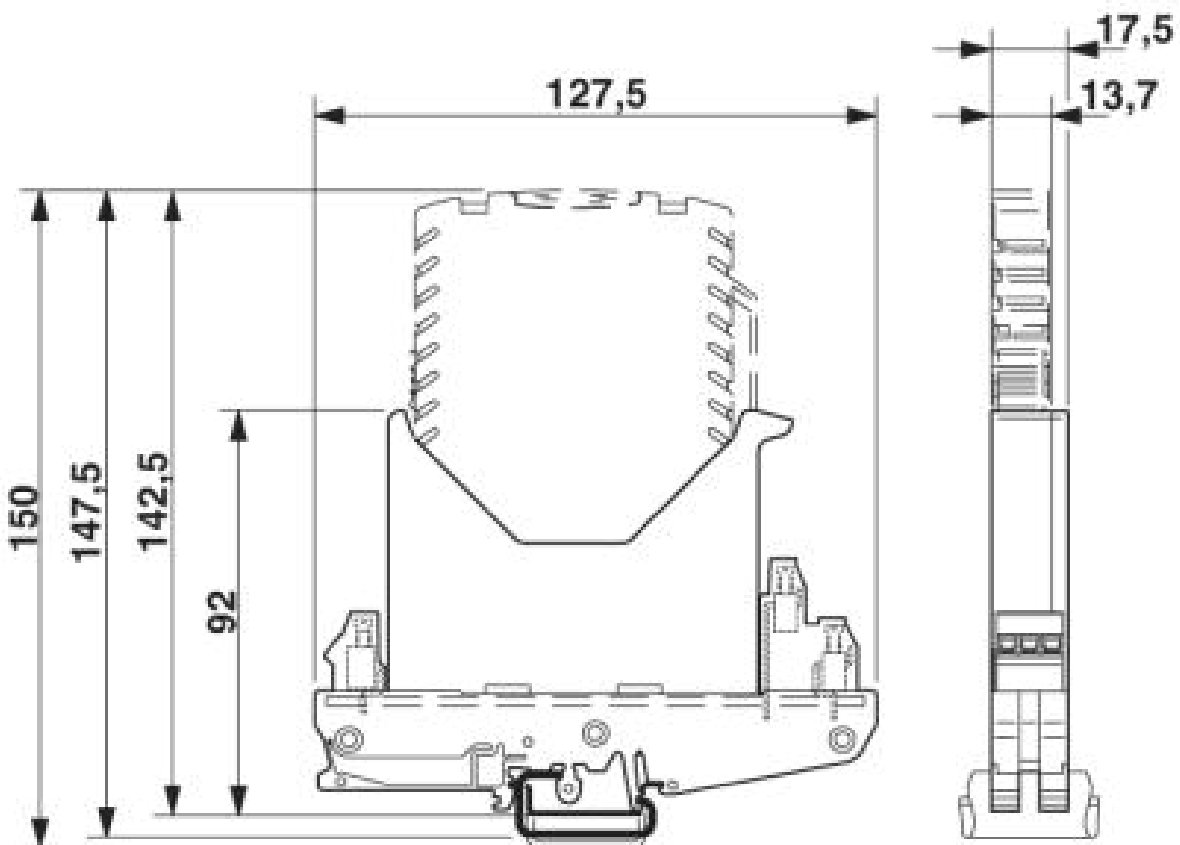
accessories

DB 50- 90 BU - 2821180

mm

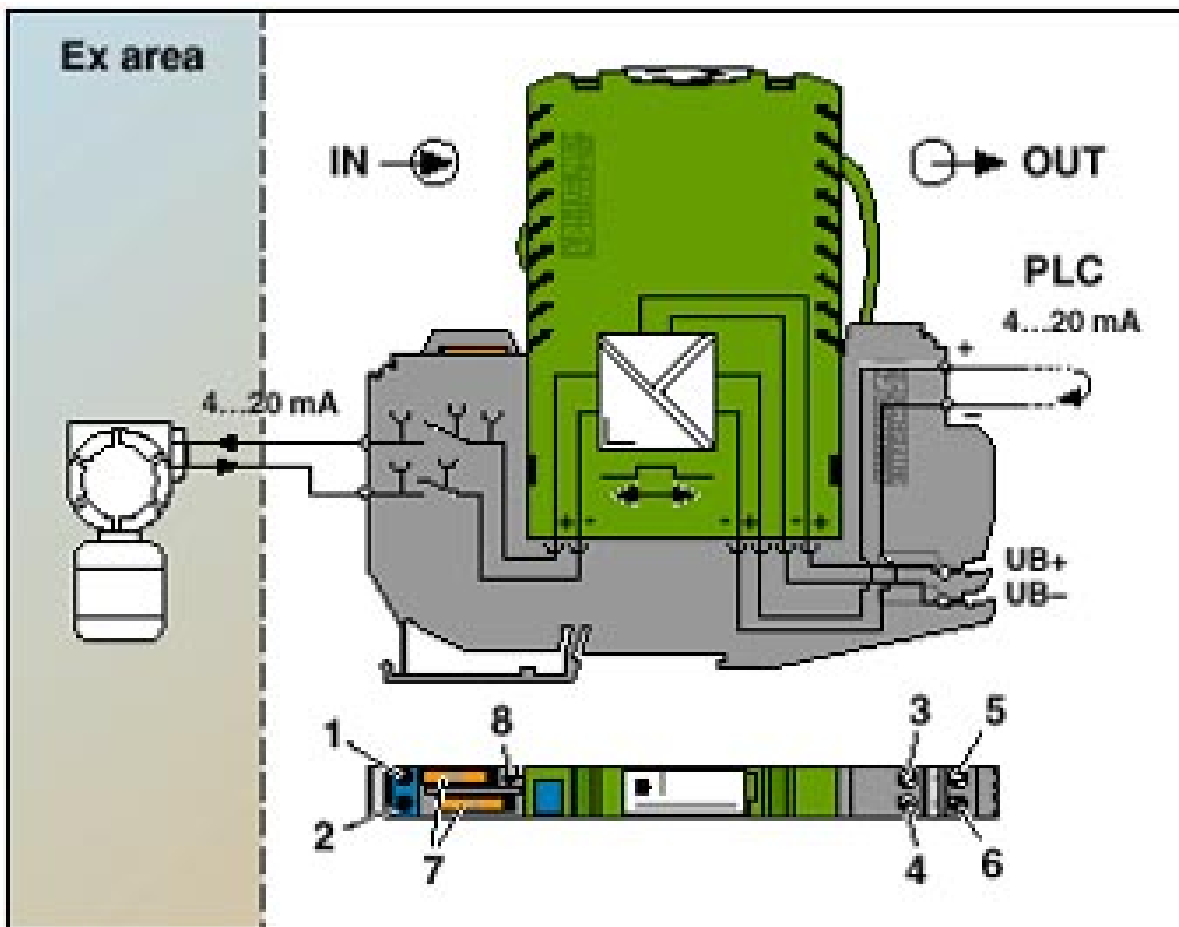
Drawings

Dimensioned drawing



Basic terminal block - PI-EX-ES-1/3 - 2835325

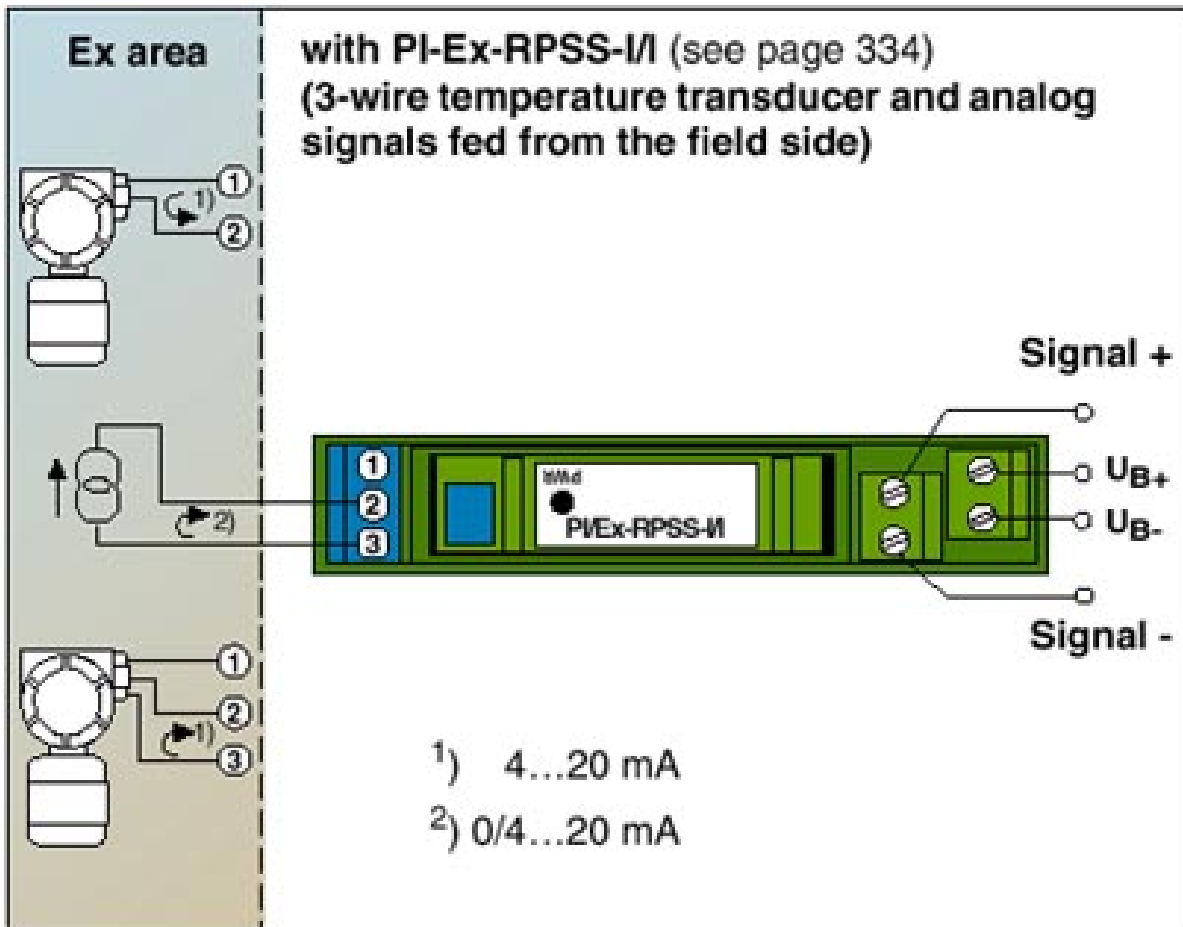
Circuit diagram



- 1 ≙ Measurement transducer supply "+"
(Clamping screw with integrated female test connector)
- 2 ≙ Current input
(Clamping screw with integrated female test connector)
- 3 ≙ Output signal "+"
- 4 ≙ Output signal "-"
- 5 ≙ U_{B+} / supply "+" 20...35 V DC
- 6 ≙ U_{B-} / supply "-"
- 7 ≙ Disconnect knife with integrated female test connector
- 8 ≙ Female test connector

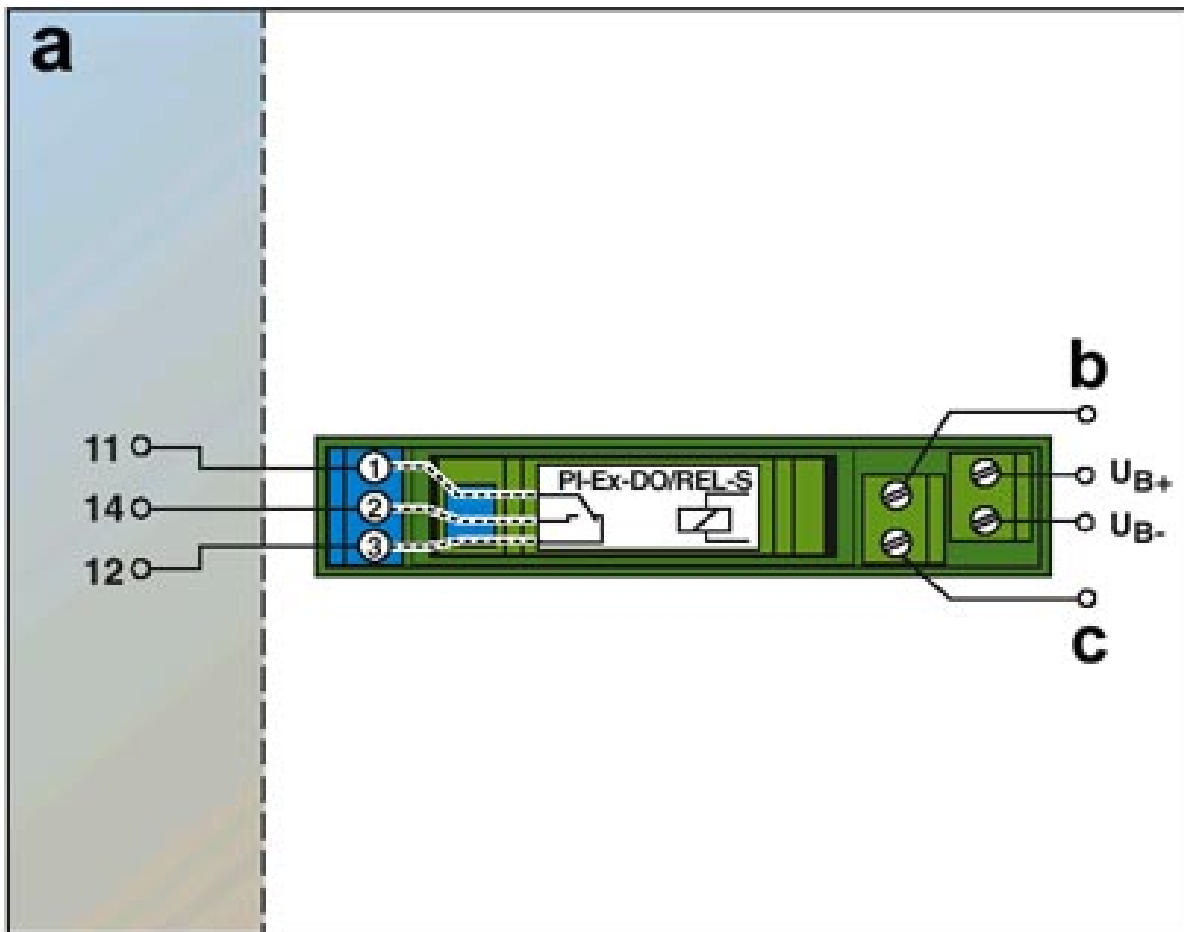
Basic terminal block - PI-EX-ES-1/3 - 2835325

Circuit diagram



Basic terminal block - PI-EX-ES-1/3 - 2835325

Circuit diagram



a = Ex area b = Control signal +c = Control signal -

Basic terminal block - PI-EX-ES-1/3 - 2835325

Circuit diagram

