

# Signal conditioner - MCR-C-I-U- 4-DC - 2814511

Please be informed that the data shown in this PDF Document is generated from our Online Catalog. Please find the complete data in the user's documentation. Our General Terms of Use for Downloads are valid (<http://download.phoenixcontact.com>)



MCR 3-way isolating amplifier, for electrical isolation of analog signals, input signal: 4 mA ... 20 mA, output signal: 0 V... 10 V

The illustration shows version MCR-C-I-I-00-DC

## Product Features

- Processing of standard signals
- Fixed setting of input and output signals
- 3-way isolation



## Key commercial data

<b>package_quantity</b>	5
<b>GTIN</b>	4017918156206

## Technical data

### Note

<b>Utilization restriction</b>	EMC: class A product, see manufacturer's declaration in the download area
--------------------------------	---

### Dimensions

<b>Width</b>	12.5 mm
<b>Height</b>	99 mm
<b>Depth</b>	114.5 mm

### Ambient conditions

<b>Ambient temperature (operation)</b>	-25 °C ... 60 °C
--	------------------

### Input data

<b>Description of the input</b>	Current input
<b>Configurable/programmable</b>	no
<b>Current input signal</b>	4 mA ... 20 mA
<b>Max. input current</b>	50 mA
<b>Input resistance current input</b>	50 Ω

### Output data

# Signal conditioner - MCR-C-I-U- 4-DC - 2814511

## Technical data

### Output data

Configurable/programmable	no
Voltage output signal	0 V ... 10 V
Max. output voltage	15 V
Load/output load voltage output	≥ 10 kΩ
Linear transmission range (in reference to the output range end value)	-10 % ... 110 %

### Power supply

Supply voltage range	20 V DC ... 30 V DC
Typical current consumption	< 15 mA (without load)

### Connection data

Connection method	Pluggable screw connection
Conductor cross section solid min.	0.2 mm <sup>2</sup>
Conductor cross section solid max.	2.5 mm <sup>2</sup>
Conductor cross section AWG/kcmil min.	24
Conductor cross section AWG/kcmil max	14
Conductor cross section stranded min.	0.2 mm <sup>2</sup>
Conductor cross section stranded max.	2.5 mm <sup>2</sup>
Stripping length	8 mm
Screw thread	M3

### General

No. of channels	1
Maximum transmission error	≤ 0.3 % (of final value)
Transmission error, typical	< 0.2 % (of final value)
Max. scale factor error	< 0.3 % (of final value)
Maximum temperature coefficient	< 0.015 %/K
Limit frequency (3 dB)	30 Hz
Step response (10-90%)	11 ms
Protective circuit	Transient protection
Test voltage, input/output/supply	1.5 kV (50 Hz, 1 min.)
Color	green
Housing material	Polyamide PA non-reinforced
Mounting position	any
Conformance	CE-compliant

## classifications

### eCl@ss

eCl@ss 4.0	27210120
eCl@ss 4.1	27210120
eCl@ss 5.0	27210120
eCl@ss 5.1	27210120

# Signal conditioner - MCR-C-I-U- 4-DC - 2814511

## classifications

### eCl@ss

eCl@ss 6.0	27210120
eCl@ss 7.0	27210120
eCl@ss 8.0	27210120

### ETIM

ETIM 2.0	EC001485
ETIM 3.0	EC001485
ETIM 4.0	EC001485
ETIM 5.0	EC001485

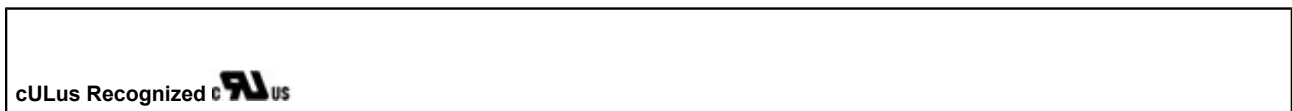
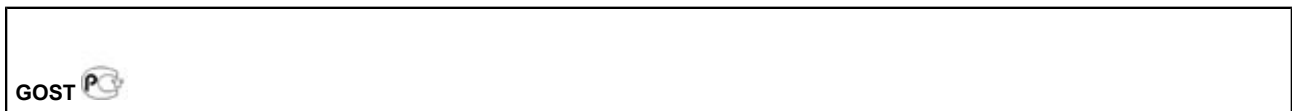
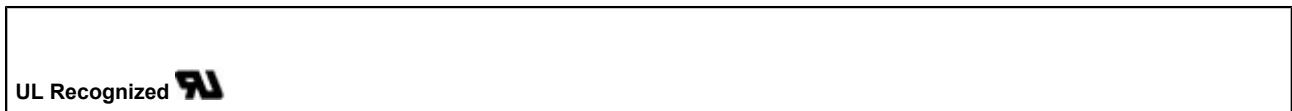
### UNSPSC

UNSPSC 6.01	30211506
UNSPSC 7.0901	39121008
UNSPSC 11	39121008
UNSPSC 12.01	39121008
UNSPSC 13.2	39121008

## approvals

UL Recognized / cUL Recognized / GOST / cULus Recognized /

### Approval details



## accessories

### Bridge

## Signal conditioner - MCR-C-I-U- 4-DC - 2814511

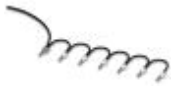
### accessories

DB 50- 90 GY - 2820929



---

DB 50- 90 BK - 2820916



---

DB 50- 90 BU - 2821180

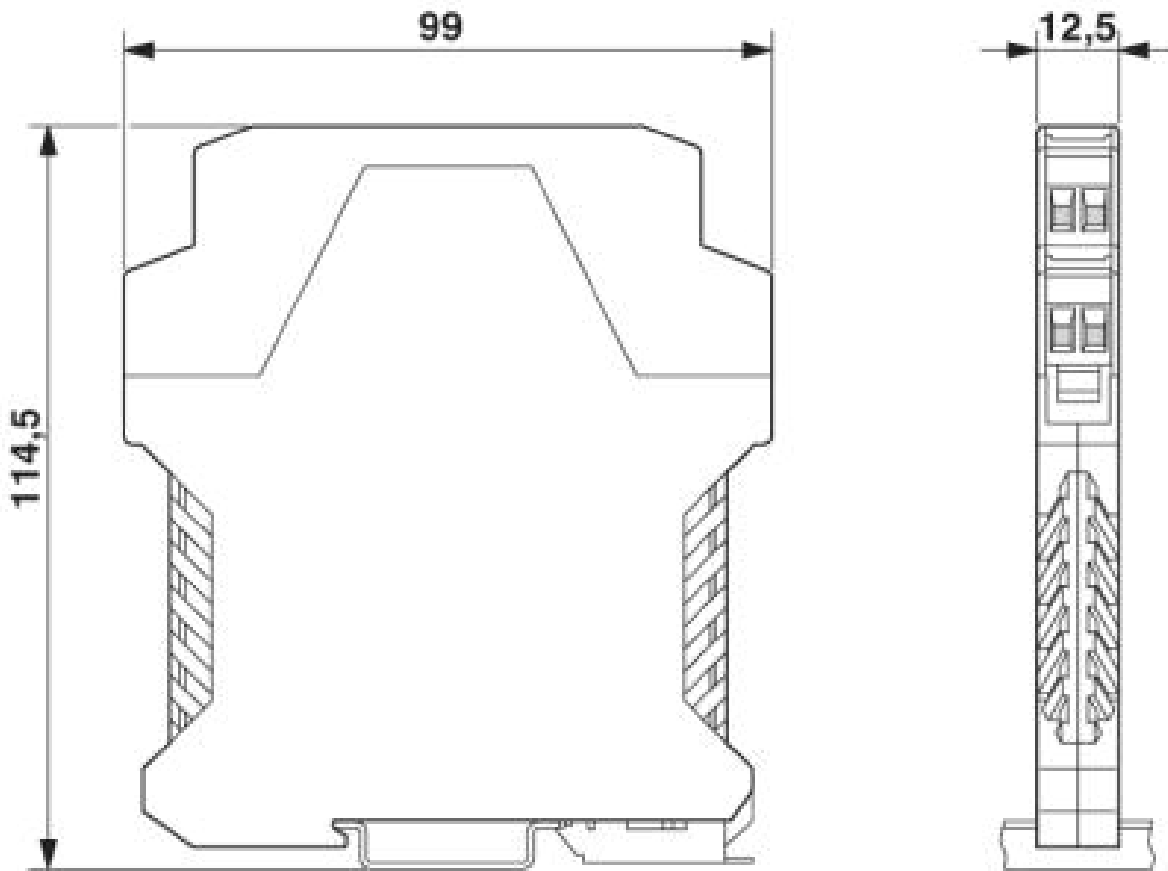


---

### Drawings

# Signal conditioner - MCR-C-I-U- 4-DC - 2814511

Dimensioned drawing



Circuit diagram

