

Signal conditioner - MCR-C-UI-UI-DCI-NC - 2810939

Please be informed that the data shown in this PDF Document is generated from our Online Catalog. Please find the complete data in the user's documentation. Our General Terms of Use for Downloads are valid (<http://download.phoenixcontact.com>)



MCR 3-way isolating amplifier, with configurable input/output, for electrical isolation of analog signals, with GL approval, unconfigured

The illustration shows version MCR-C-UI-UI-DCI



Key commercial data

package_quantity	1
GTIN	4017918118303

Technical data

Note

Utilization restriction	EMC: class A product, see manufacturer's declaration in the download area
-------------------------	---

Dimensions

Width	17.5 mm
Height	99 mm
Depth	114.5 mm

Ambient conditions

Ambient temperature (operation)	-20 °C ... 65 °C
Degree of protection	IP20

Input data

Configurable/programmable	Yes, standard configuration IN 0 ... 10 V, OUT 0 ... 10 V
Voltage input signal	0 V ... 10 V (please indicate if different setting when ordering)
Max. input voltage	30 V
Max. input current	50 mA
Input resistance of voltage input	1 MΩ
Input resistance current input	50 Ω

Output data

Configurable/programmable	Yes, unconfigured
Voltage output signal	0 V ... 10 V (please indicate if different setting when ordering)
Max. output voltage	15 V

Signal conditioner - MCR-C-UI-UI-DCI-NC - 2810939

Technical data

Output data

Max. output current	30 mA
Load/output load voltage output	$\geq 10 \text{ k}\Omega$
Load/output load current output	$\leq 500 \text{ }\Omega$

Power supply

Supply voltage range	18 V DC ... 30 V DC
Max. current consumption	< 30 mA (without load)

Connection data

Connection method	Pluggable screw connection
Conductor cross section solid min.	0.2 mm ²
Conductor cross section solid max.	2.5 mm ²
Conductor cross section AWG/kcmil min.	24
Conductor cross section AWG/kcmil max	14
Conductor cross section stranded min.	0.2 mm ²
Conductor cross section stranded max.	2.5 mm ²
Stripping length	8 mm
Screw thread	M3

General

No. of channels	1
Maximum transmission error	$\leq 0.1 \%$ (of final value)
Maximum temperature coefficient	0.0075 %/K
Limit frequency (3 dB)	30 Hz
Alignment zero	$\pm 2 \%$
Alignment span	$\pm 2 \%$
Step response (10-90%)	11 ms
Protective circuit	Transient protection
Test voltage input/output	1.5 kV (50 Hz, 1 min.)
Test voltage power supply/signal	1 kV (50 Hz, 1 min.)
Electromagnetic compatibility	Conformance with EMC Directive 2004/108/EC
Noise emission	EN 61000-6-4
Noise immunity	EN 61000-6-2
Color	green
Housing material	Polyamide PA non-reinforced
Mounting position	any
Conformance	CE-compliant
UL, USA / Canada	UL 508 Recognized
UL, USA / Canada	Class I, Div. 2, Groups A, B, C, D
GL	Germanischer Lloyd

Signal conditioner - MCR-C-UI-UI-DCI-NC - 2810939

classifications

eCl@ss

eCl@ss 4.0	27210120
eCl@ss 4.1	27210120
eCl@ss 5.0	27210120
eCl@ss 5.1	27210120
eCl@ss 6.0	27210120
eCl@ss 7.0	27210120
eCl@ss 8.0	27210120

ETIM

ETIM 2.0	EC001485
ETIM 3.0	EC001485
ETIM 4.0	EC001485
ETIM 5.0	EC001485

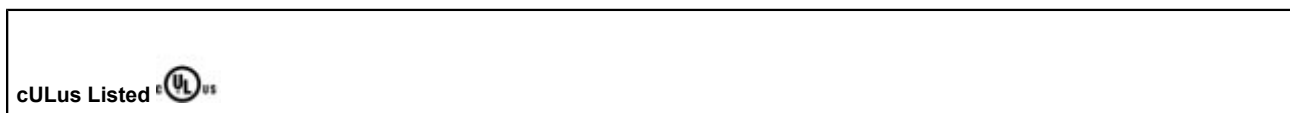
UNSPSC

UNSPSC 6.01	30211506
UNSPSC 7.0901	39121008
UNSPSC 11	39121008
UNSPSC 12.01	39121008
UNSPSC 13.2	39121008

approvals

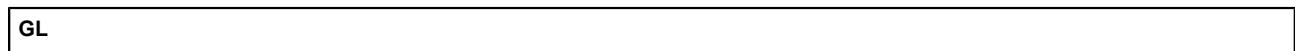
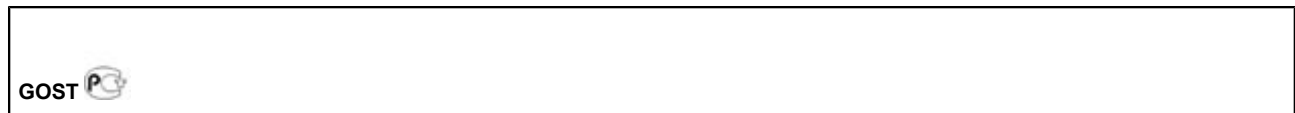
UL Listed / cUL Listed / cULus Listed / UL Recognized / cUL Recognized / GOST / GL / cULus Recognized /

Approval details



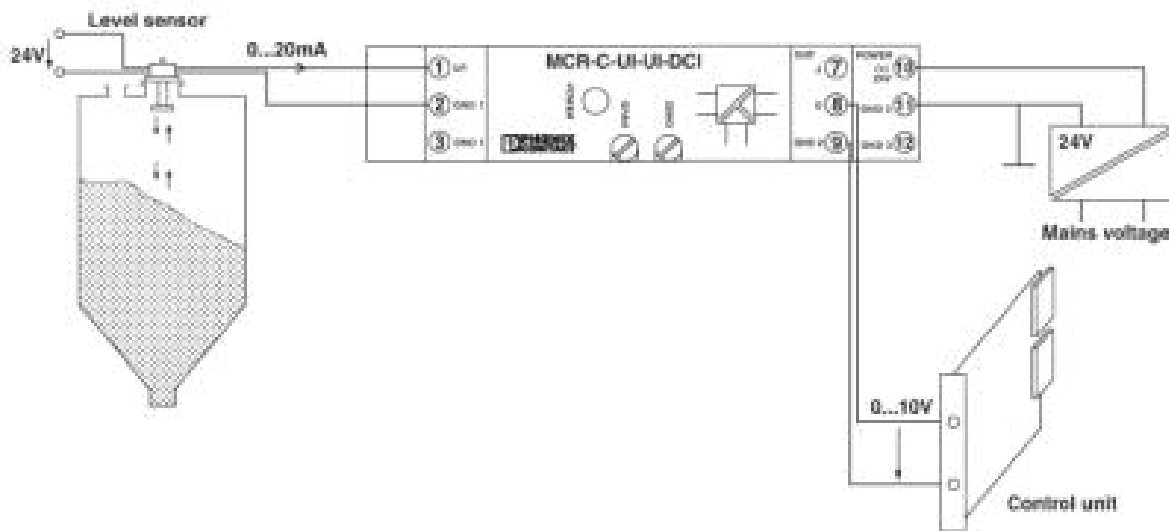
Signal conditioner - MCR-C-UI-UI-DCI-NC - 2810939

approvals



Drawings

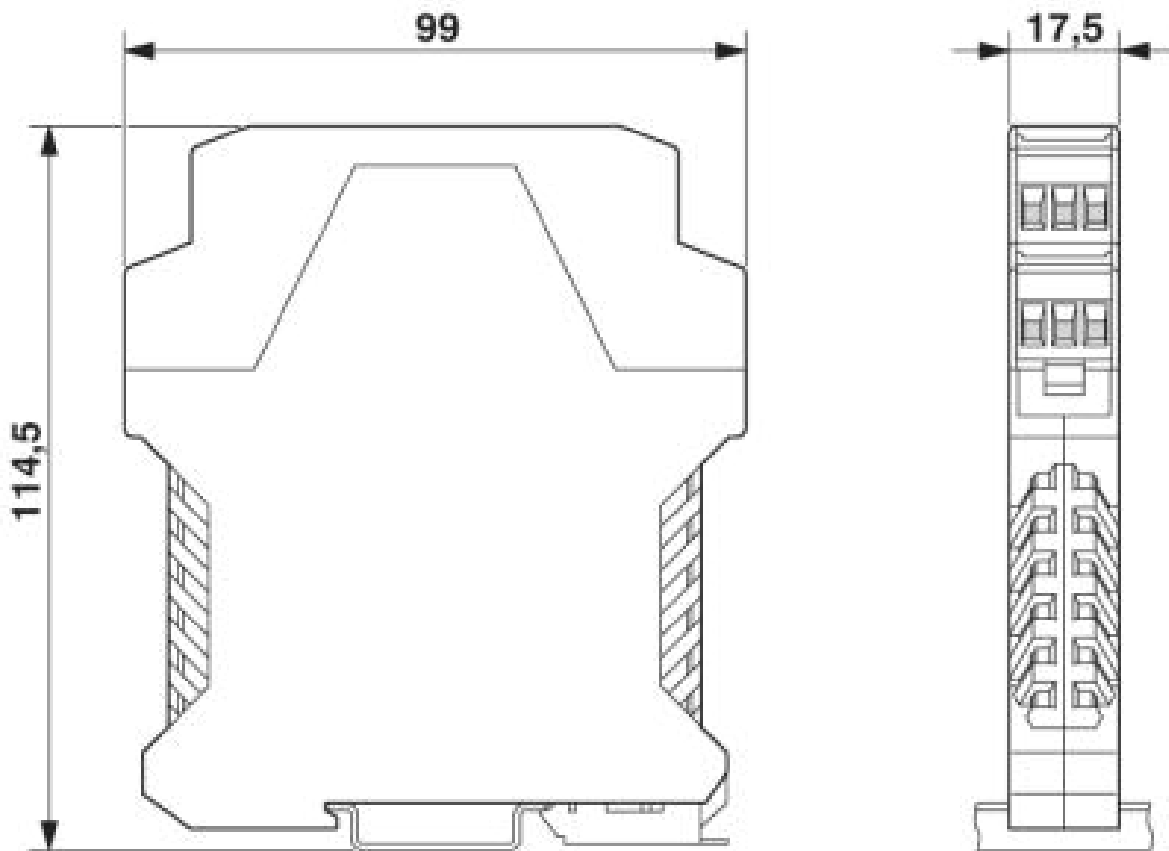
Application drawing



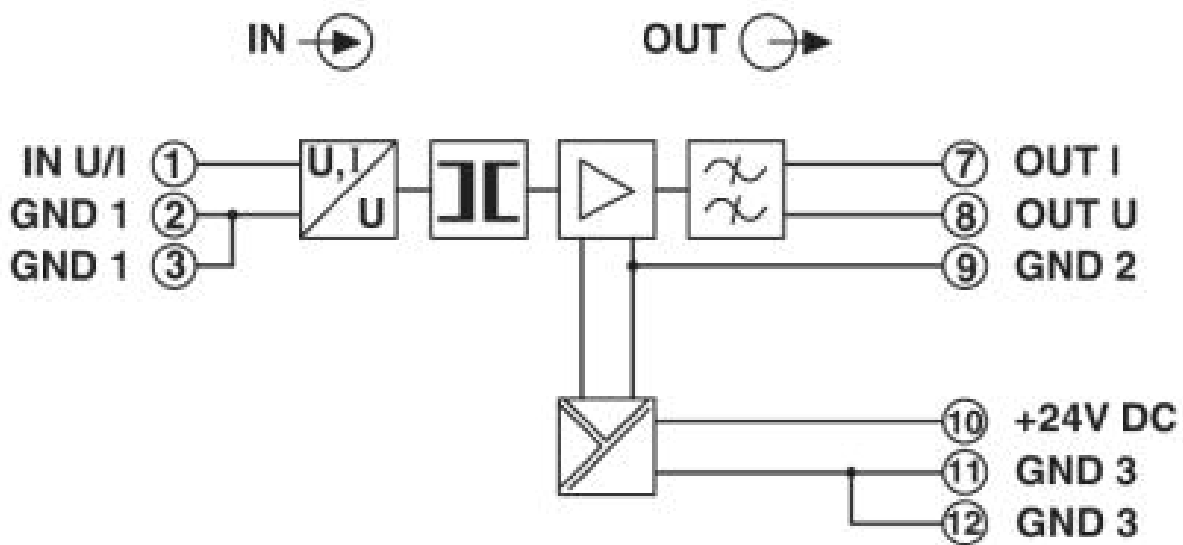
Application example: Level measurement

Signal conditioner - MCR-C-UI-UI-DCI-NC - 2810939

Dimensioned drawing



Circuit diagram





© Phoenix Contact 2014 - all rights reserved
<http://www.phoenixcontact.com>