

Resistance thermometer measuring transducer - MCR-PT100-U-DC - 2810311

Please be informed that the data shown in this PDF Document is generated from our Online Catalog. Please find the complete data in the user's documentation. Our General Terms of Use for Downloads are valid (<http://download.phoenixcontact.com>)



MCR temperature transducer, for Pt 100 2, 3 or 4-wire system, input: 0...100°C, 0...150°C, 0...200°C, 0...300°C, -50...+50°C, -50...100°C, -50...150°C, -50...250°C, output signal 0...10 V, auxiliary power supply electrically isolated

The illustration shows version MCR-PT100-I-DC

Product Features

- With electrically isolated supply voltage as an option
- ZERO/SPAN adjustment
- Temperature range can be set via DIP switches
- Open circuit detection



Key commercial data

package_quantity	1
GTIN	

Technical data

Note

Utilization restriction	EMC: class A product, see manufacturer's declaration in the download area
-------------------------	---

Dimensions

Width	17.5 mm
Height	99 mm
Depth	114.5 mm

Ambient conditions

Ambient temperature (operation)	-20 °C ... 65 °C
Degree of protection	IP20

Input data

Configurable/programmable	Yes
Sensor types (RTD) that can be used	Pt 100 (IEC 60751/EN 60751)
Sensor input current	approx. 1 mA
Temperature measuring range	0 °C ... 300 °C (0 ... 100/150/200/300)

Resistance thermometer measuring transducer - MCR-PT100-U-DC - 2810311

Technical data

Input data

Temperature measuring range	-50 °C ... 250 °C (-50 ... 50/100/150/250)
Connection method	2, 3, 4-wire
Connection method	Pluggable screw connection

Output data

Output name	Voltage output
Voltage output signal	0 V ... 10 V
Max. output voltage	15 V
Output voltage with wire break	> 11 V
Load/output load voltage output	≥ 10 kΩ

Power supply

Supply voltage range	20 V DC ... 30 V DC
Max. current consumption	35 mA

Connection data

Connection method	Pluggable screw connection
Conductor cross section solid min.	0.2 mm ²
Conductor cross section solid max.	2.5 mm ²
Conductor cross section AWG/kcmil min.	24
Conductor cross section AWG/kcmil max.	14
Conductor cross section stranded min.	0.2 mm ²
Conductor cross section stranded max.	2.5 mm ²
Stripping length	8 mm
Screw thread	M3

General

No. of channels	1
Maximum transmission error	≤ 0.4 % (of final value)
Maximum temperature coefficient	≤ 0.02 %/K
Limit frequency (3 dB)	30 Hz
Alignment zero	± 5 %
Alignment span	± 5 %
Step response (10-90%)	11 ms
Test voltage power supply/signal	750 V AC (50 Hz, 1 min.)
Color	green
Housing material	Polyamide PA non-reinforced
Mounting position	any
Conformance	CE-compliant
UL, USA / Canada	UL 508 Recognized

Resistance thermometer measuring transducer - MCR-PT100-U-DC - 2810311

classifications

eCl@ss

eCl@ss 4.0	27200206
eCl@ss 4.1	27200206
eCl@ss 5.0	27200206
eCl@ss 5.1	27200206
eCl@ss 6.0	27200206
eCl@ss 7.0	27200206
eCl@ss 8.0	27210120

ETIM

ETIM 2.0	EC001446
ETIM 3.0	EC001446
ETIM 4.0	EC001446
ETIM 5.0	EC001446

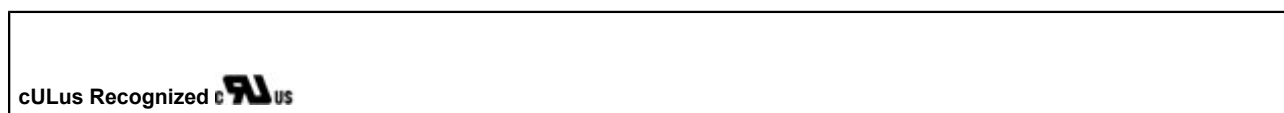
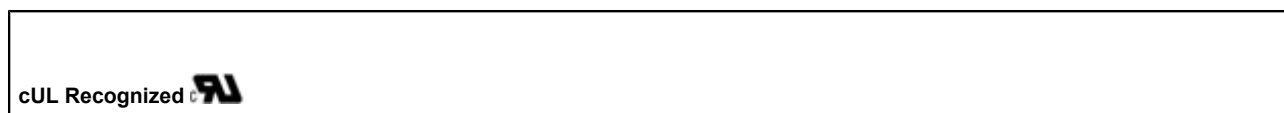
UNSPSC

UNSPSC 6.01	30211506
UNSPSC 7.0901	39121008
UNSPSC 11	39121008
UNSPSC 12.01	39121008
UNSPSC 13.2	39121008

approvals

UL Recognized / cUL Recognized / GOST / cULus Recognized /

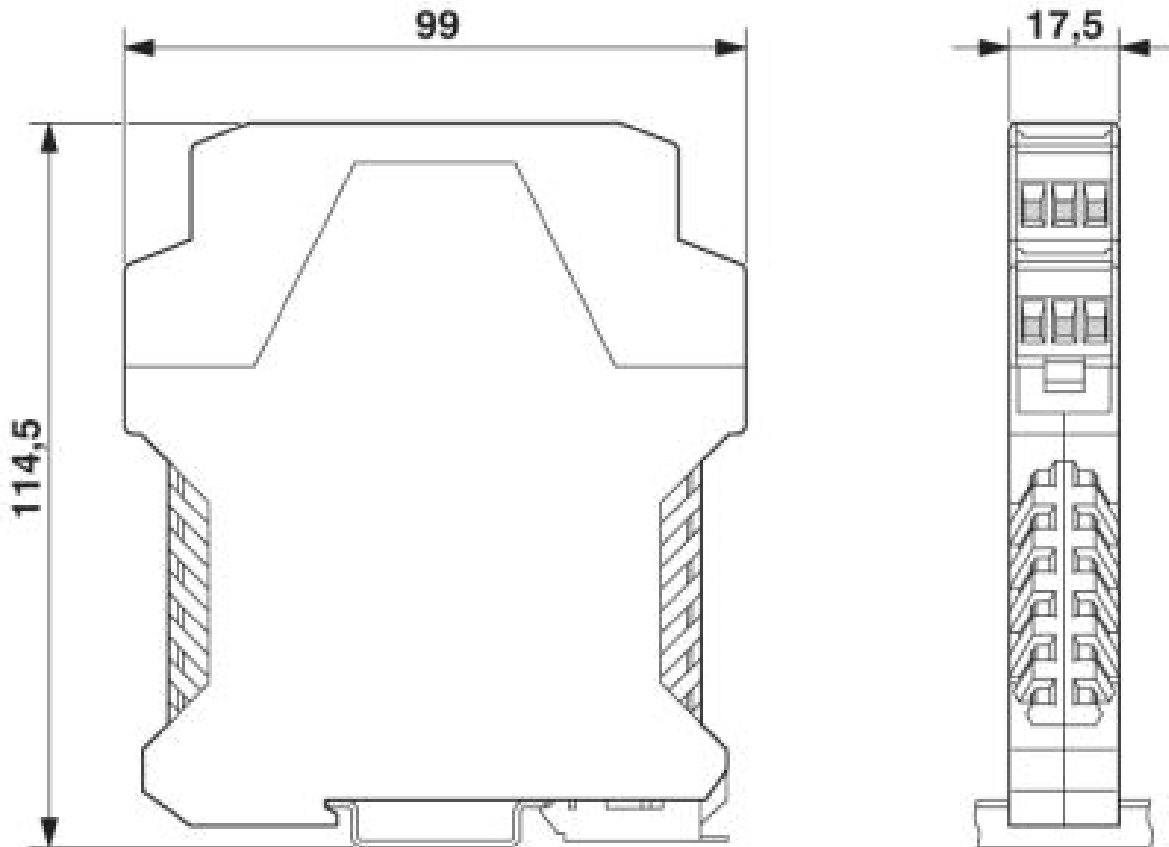
Approval details



Resistance thermometer measuring transducer - MCR-PT100-U-DC - 2810311

Drawings

Dimensioned drawing



Resistance thermometer measuring transducer - MCR-PT100-U-DC - 2810311

Circuit diagram

