

Converter - MCR-DAC 8-U-10-BUS - 2808190

Please be informed that the data shown in this PDF Document is generated from our Online Catalog. Please find the complete data in the user's documentation. Our General Terms of Use for Downloads are valid (<http://download.phoenixcontact.com>)



MCR 8-bit digital/analog converters, with flat-ribbon cable connection and COMBICON plug connector, pitch 5.08 mm, output signal 0..10 V

The illustration shows version MCR-DAC 8-U-5-BUS



Key commercial data

package_quantity	1
GTIN	4017918075545

Technical data

Dimensions

Width	25 mm
Height	79 mm
Depth	93 mm

Ambient conditions

Ambient temperature (operation)	0 °C ... 55 °C
---------------------------------	----------------

Input data

Input signal	8 Bit (1 leading sign)
Input voltage range	24 V DC ... 30 V DC
Signal level "1" signal	≥ 15 V DC
Signal level "0" signal	≤ 2 V DC
Max. input current	≤ 1 mA
Input resistance	≥ 5.7 kΩ
Type of protection	Surge protection
Protective circuit/component	Suppressor diode, 36 V / 1500 W

Output data

Output current	5 mA
Output name	Voltage output
Voltage output signal	0 V ... 10 V
Load/output load voltage output	≥ 2 kΩ
Resolution, outputs (voltage)	approx. 39 mV

Converter - MCR-DAC 8-U-10-BUS - 2808190

Technical data

Output data

D/A conversion time	≤ 25 μs
---------------------	---------

Power supply

Nominal supply voltage	24 V DC ±10 %
Supply voltage range	22 V DC ... 26 V DC
Max. current consumption	20 mA

Connection data

Connection method	Flat-ribbon cable connection and COMBICON connector (pitch 5.08 mm)
Conductor cross section solid min.	0.2 mm ²
Conductor cross section solid max.	2.5 mm ²
Conductor cross section AWG/kcmil min.	24
Conductor cross section AWG/kcmil max	14
Conductor cross section stranded min.	0.2 mm ²
Conductor cross section stranded max.	2.5 mm ²
Stripping length	8 mm
Screw thread	M3

General

Maximum transmission error	± 1 LSB, for 25°C
Protective circuit	Protection against polarity reversal, suppressor diode
Color	green
Housing material	Polyamide PA non-reinforced
Mounting position	any
Conformance	CE-compliant

classifications

eCl@ss

eCl@ss 4.0	27230208
eCl@ss 4.1	27230208
eCl@ss 5.0	27230208
eCl@ss 5.1	27230208
eCl@ss 6.0	27230208
eCl@ss 7.0	27230208
eCl@ss 8.0	27230208

ETIM

ETIM 2.0	EC001440
ETIM 3.0	EC001440
ETIM 4.0	EC001440
ETIM 5.0	EC001440

UNSPSC

Converter - MCR-DAC 8-U-10-BUS - 2808190

classifications

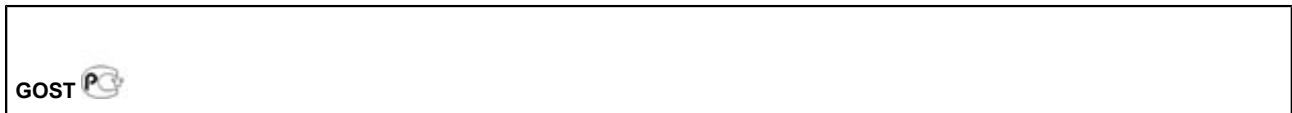
UNSPSC

UNSPSC 6.01	30211506
UNSPSC 7.0901	39121008
UNSPSC 11	39121008
UNSPSC 12.01	39121008
UNSPSC 13.2	39121008

approvals

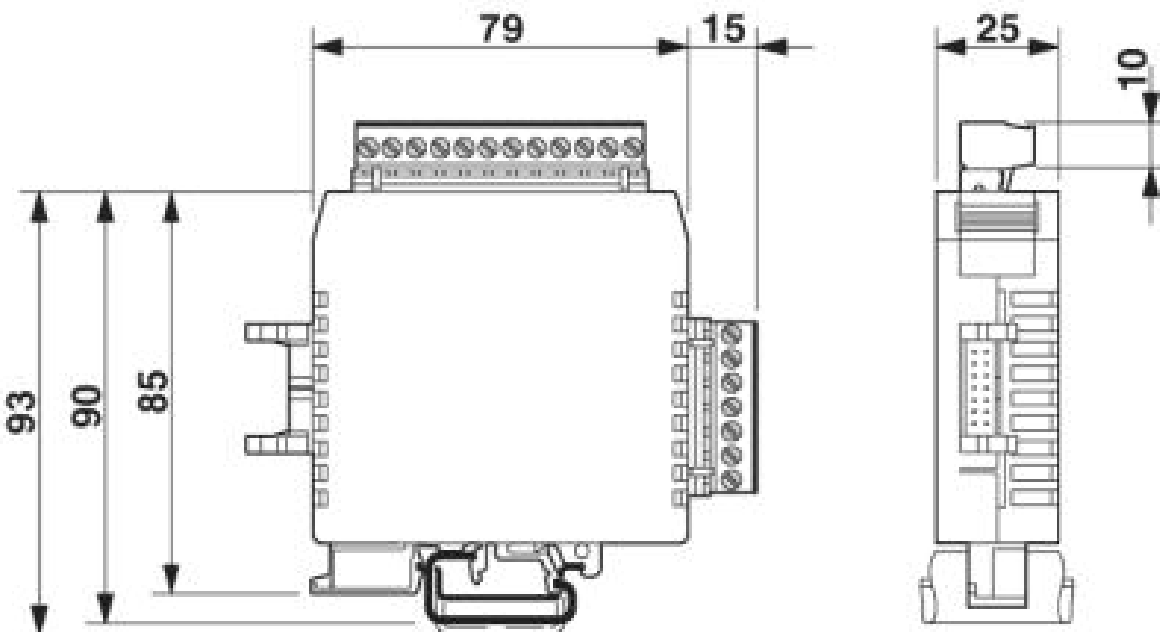
GOST /

Approval details



Drawings

Dimensioned drawing



Converter - MCR-DAC 8-U-10-BUS - 2808190

Circuit diagram

