

Power storage devices - UPS-BAT/VRLA/24DC/ 7.2AH - 2320319

Please be informed that the data shown in this PDF Document is generated from our Online Catalog. Please find the complete data in the user's documentation. Our General Terms of Use for Downloads are valid (<http://download.phoenixcontact.com>)



Power storage device, lead AGM, VRLA technology, 24 V DC, 7.2 Ah, tool-free battery replacement, automatic detection, and communication with QUINT UPS-IQ

Product Features

- Tool-free battery replacement
- Communication with QUINT UPS IQ



Key commercial data

package_quantity	1
GTIN	4046356553353

Technical data

Dimensions

Width	135 mm
Height	202 mm
Depth	110 mm

Ambient conditions

Degree of protection	IP20
Ambient temperature (operation)	0 °C ... 40 °C
Ambient temperature (storage/transport)	-15 °C ... 40 °C
Max. permissible relative humidity (operation)	≤ 95 %

Input data

Nominal input voltage	24 V DC
Buffer period	10 min (20 A)
Buffer period	3 min (40 A)

Output data

Nominal output voltage	24 V DC
Output current	max. 50 A
Connection in parallel	15
Connection in series	No
Output fuse	2x 25 A

Power storage devices - UPS-BAT/MRLA/24DC/ 7.2AH - 2320319

Technical data

General

IQ technology	Yes
Disposal	Used batteries must not be thrown away with household waste, they should instead be disposed of in accordance with applicable national regulations. They can also be returned to Phoenix Contact or the manufacturer.
Net weight	5.9 kg
Memory medium	Lead rechargeable battery module
Protection class	III
Mounting position	horizontal DIN rail NS 35, EN 60715
Standard - Electrical safety	EN 60950-1/VDE 0805 (SELV)
Standard – Electronic equipment for use in electrical power installations and their assembly into electrical power installations	EN 50178/VDE 0160 (PELV)
UL approvals	UL/C-UL listed UL 508
UL approvals	UL/C-UL Recognized UL 60950
UL approvals	UL/C-UL Recognized UL 1778
UL approvals	UL ANSI/ISA-12.12.01 Class I, Division 2, Groups A, B, C, D (Hazardous Location)
VdS approval	G 193046

classifications

eCl@ss

eCl@ss 4.0	27040702
eCl@ss 4.1	27040603
eCl@ss 5.0	27040603
eCl@ss 5.1	27040603
eCl@ss 6.0	27040603
eCl@ss 7.0	27040603
eCl@ss 8.0	27040603

ETIM

ETIM 3.0	EC001039
ETIM 4.0	EC000357
ETIM 5.0	EC000357

UNSPSC

UNSPSC 6.01	30211510
UNSPSC 7.0901	39121011
UNSPSC 11	39121011
UNSPSC 12.01	39121011
UNSPSC 13.2	39121011

Power storage devices - UPS-BAT/MRLA/24DC/ 7.2AH - 2320319

approvals

UL Listed / cUL Listed / cULus Listed / UL Recognized / UL Listed / cUL Recognized / cUL Listed / UL Recognized / cULus Recognized / cULus Listed /

Approval details

UL Listed

cUL Listed

cULus Listed

UL Recognized

Nominal voltage UN	
Nominal current IN	
mm ² /AWG/kcmil	

Nominal voltage UN	
Nominal current IN	
mm ² /AWG/kcmil	

cUL Recognized

Nominal voltage UN	
Nominal current IN	

Power storage devices - UPS-BAT/VRLA/24DC/ 7.2AH - 2320319

approvals

mm ² /AWG/kcmil	



accessories

Fuse

SI FORM C 25 A DIN 72581 - 0913757



Assembly adapter

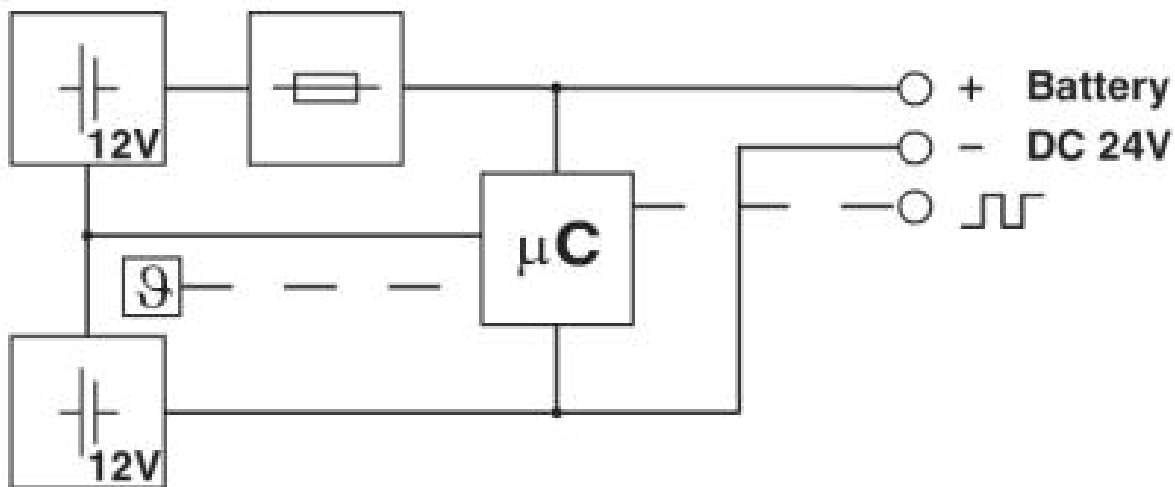
QUINT-ADAPTER/4 - 2866857



Drawings

Power storage devices - UPS-BAT/VRLA/24DC/ 7.2AH - 2320319

Block diagram



© Phoenix Contact 2014 - all rights reserved
<http://www.phoenixcontact.com>