

Uninterruptible power supply - TRIO-UPS/1AC/24DC/ 5 - 2866611

Please be informed that the data shown in this PDF Document is generated from our Online Catalog. Please find the complete data in the user's documentation. Our General Terms of Use for Downloads are valid (<http://download.phoenixcontact.com>)



Uninterruptible power supply with integrated power supply unit, 5A, in combination with MINI-BAT/24/DC/1.3 AH, QUINT-BAT/24DC 3,4AH, 7,2AH or 12 AH



Key commercial data

package_quantity	1
GTIN	4046356311809

Technical data

Dimensions

Width	60 mm
Height	130 mm
Depth	118 mm

Ambient conditions

Degree of protection	IP20
Ambient temperature (operation)	-25 °C ... 70 °C (> 55° C derating)
Ambient temperature (storage/transport)	-40 °C ... 80 °C
Max. permissible relative humidity (operation)	95 % (at 25 °C, non-condensing)
Noise immunity	EN 61000-6-2:2005

Input data

Input voltage range	85 V AC ... 264 V AC (Derating < 90 V AC: 2.5%V)
Input voltage range	100 V DC ... 350 V DC (UL508: 100 ... 250 V)
AC frequency range	45 Hz ... 65 Hz
Frequency range DC	0 Hz
Current consumption	0.95 A
Current consumption	1.1 A (230 V AC)
Current consumption	1.7 A
Current consumption	1.8 A (120 V AC)
Inrush surge current	< 44 A (< 1.3 A ² s)
Power failure bypass	see diagram
Buffer period	20 min (5 A)
Input fuse	6.3 A (slow-blow, internal)

Uninterruptible power supply - TRIO-UPS/1AC/24DC/ 5 - 2866611

Technical data

Input data

Choice of suitable fuses	6 A ... 16 A (Characteristics B, C, D, K)
Power factor (cos phi)	approx. 0.5
Type of protection	Transient surge protection
Protective circuit/component	Varistor

Output data

Nominal output voltage	24 V DC
Setting range of the output voltage	22.5 V DC ... 29.5 V DC (Network operation; in the buffer mode, dependent on the battery voltage of 27.9 V DC ... 19.2 V DC)
Output current	5 A (-25 °C ... 55 °C)
Derating	55 °C ... 70 °C (2.5%/K)
Connection in parallel	Yes, 2
Connection in series	No
Control deviation	< 1 % (change in load, static 10 % ... 90 %)
Residual ripple	< 10 mV _{PP}
Peak switching voltages nominal load	< 25 mV _{PP}

General

Net weight	1.1 kg
Memory medium	External, battery 1.3 Ah / 3.4 Ah / 7.2 Ah / 12 Ah
Efficiency	> 88 % (230 V AC, network operation)
Efficiency	> 86 % (120 V AC, network operation)
Efficiency	> 86 % (Battery operation)
Insulation voltage input/output	4 kV (type test)
Insulation voltage input/output	2 kV (Routine test)
Protection class	I
MTBF (IEC 61709, SN 29500)	> 596285 h
Mounting position	horizontal DIN rail NS 35, EN 60715
Assembly instructions	Can be aligned: Horizontally 0 mm, vertically 50 mm
Electromagnetic compatibility	Conformance with EMC Directive 2004/108/EC
Noise emission	EN 50081-2
Low Voltage Directive	Conformance with LV directive 2006/95/EC
Standard – Electrical equipment of machines	EN 60204
Standard - Electrical safety	EN 60950-1/VDE 0805 (SELV)
Shipbuilding approval	Germanischer Lloyd (EMC 1)
Standard – Electronic equipment for use in electrical power installations and their assembly into electrical power installations	EN 50178/VDE 0160 (PELV)
Standard – Safety extra-low voltage	EN 60950-1 (SELV)
Standard – Safety extra-low voltage	EN 60204 (PELV)
Standard - Safe isolation	DIN VDE 0100-410
Standard - Safe isolation	DIN VDE 0106-1010
Standard – Protection against electric shock	DIN 57100-410

Uninterruptible power supply - TRIO-UPS/1AC/24DC/ 5 - 2866611

Technical data

General

Standard – Protection against shock currents, basic requirements for protective separation in electrical equipment	DIN VDE 0106-101
Standard – Limitation of mains harmonic currents	EN 61000-3-2
UL approvals	UL/C-UL listed UL 508
UL approvals	UL/C-UL Recognized UL 60950

Connection data, input

Connection method	Screw connection
Conductor cross section solid min.	0.2 mm ²
Conductor cross section solid max.	2.5 mm ²
Conductor cross section stranded min.	0.2 mm ²
Conductor cross section stranded max.	2.5 mm ²
Conductor cross section AWG/kcmil min.	24
Conductor cross section AWG/kcmil max	12
Screw thread	M3

Connection data, output

Connection method	Screw connection
Conductor cross section solid min.	0.2 mm ²
Conductor cross section solid max.	2.5 mm ²
Conductor cross section stranded min.	0.2 mm ²
Conductor cross section stranded max.	2.5 mm ²
Conductor cross section AWG/kcmil min.	24
Conductor cross section AWG/kcmil max	12
Stripping length	8 mm

Signaling

Output voltage	+ 24 V
Status display	Green LED
Note on status display	Mains voltage OK: Green LED, static at
Conductor cross section solid min.	0.2 mm ²
Conductor cross section solid max.	2.5 mm ²
Conductor cross section stranded min.	0.2 mm ²
Conductor cross section stranded max.	2.5 mm ²
Conductor cross section AWG/kcmil min.	24
Conductor cross section AWG/kcmil max	12
Tightening torque, min	0.5 Nm
Tightening torque max	0.6 Nm
Screw thread	M3
Output name	Alarm
Output description	Transistor switching output
Maximum switching voltage	≤ 24 V
Output voltage	24 V

Uninterruptible power supply - TRIO-UPS/1AC/24DC/ 5 - 2866611

Technical data

Signaling

Continuous load current	≤ 200 mA
Status display	Alarm
Note on status display	Red LED, static at
Output name	Battery charge
Output description	Transistor switching output
Maximum switching voltage	≤ 24 V
Output voltage	24 V
Continuous load current	≤ 200 mA
Status display	Battery (battery charge) is being charged
Note on status display	Yellow LED, flashing
Output name	Battery mode
Output description	Transistor switching output
Type of signaling	LED, active switching output
Maximum switching voltage	≤ 24 V
Output voltage	24 V
Continuous load current	≤ 200 mA
Status display	Battery operation (Battery Mode)
Note on status display	LED yellow, static at

Charging process

Charge characteristic curve	I/U characteristic curve
Battery presence check/time interval	60 s
Charge current	0.2 A ... 1.5 A (Default 1.0 A)
End-of-charge voltage	25 V DC ... 30 V DC (Default 27.6 V DC)
Temperature compensation	0 mV/K ... 200 mV/K (42 mV/K by default)
Quality check of battery	4 h ... 200 h (Default 12 h)
Deep discharge protection	18 V DC ... 21 V DC (Default 19.2 V DC)
Alarm signaling threshold	18 V DC ... 30 V DC (Default 20.4 V DC)

classifications

eCl@ss

eCl@ss 4.0	27040603
eCl@ss 4.1	27040603
eCl@ss 5.0	27040603
eCl@ss 5.1	27040603
eCl@ss 6.0	27040603
eCl@ss 7.0	27040603
eCl@ss 8.0	27040603

ETIM

ETIM 2.0	EC000382
ETIM 3.0	EC000382

Uninterruptible power supply - TRIO-UPS/1AC/24DC/ 5 - 2866611

classifications

ETIM

ETIM 4.0	EC000382
ETIM 5.0	EC000382

UNSPSC

UNSPSC 6.01	30211510
UNSPSC 7.0901	39121011
UNSPSC 11	39121011
UNSPSC 12.01	39121011
UNSPSC 13.2	39121011

approvals

UL Recognized / UL Listed / cUL Recognized / cUL Listed / GL / UL Recognized / UL Listed / cUL Recognized / cUL Listed / cULus Recognized / cULus Listed /

Approval details

UL Recognized

UL Listed

cUL Recognized

cUL Listed

GL

UL Recognized

UL Listed

Uninterruptible power supply - TRIO-UPS/1AC/24DC/ 5 - 2866611

approvals

cUL Recognized 

cUL Listed 

cULus Recognized 

cULus Listed 

accessories

Battery unit

MINI-BAT/24DC/1.3AH - 2866417



QUINT-BAT/24DC/ 3.4AH - 2866349

QUINT-BAT/24DC/ 7.2AH - 2866352



Uninterruptible power supply - TRIO-UPS/1AC/24DC/ 5 - 2866611

accessories

QUINT-BAT/24DC/12AH - 2866365



UPS-BAT/VRLA/24DC/ 1.3AH - 2320296



UPS-BAT/VRLA/24DC/ 3.4AH - 2320306



UPS-BAT/VRLA/24DC/ 7.2AH - 2320319



UPS-BAT/VRLA/24DC/12AH - 2320322



Programming adapter

Uninterruptible power supply - TRIO-UPS/1AC/24DC/ 5 - 2866611

accessories

IFS-USB-PROG-ADAPTER - 2811271



Configuration and diagnostics

UPS-CONF - 2320403



Memory block

IFS-CONFSTICK - 2986122



Fuse

SI FORM C 15 A DIN 72581 - 0913676



SI FORM C 25 A DIN 72581 - 0913757



Uninterruptible power supply - TRIO-UPS/1AC/24DC/ 5 - 2866611

accessories

Assembly adapter

UWA 182/52 - 2938235



QUINT-PS-ADAPTERS7/2 - 2938206



Mounting rail adapter

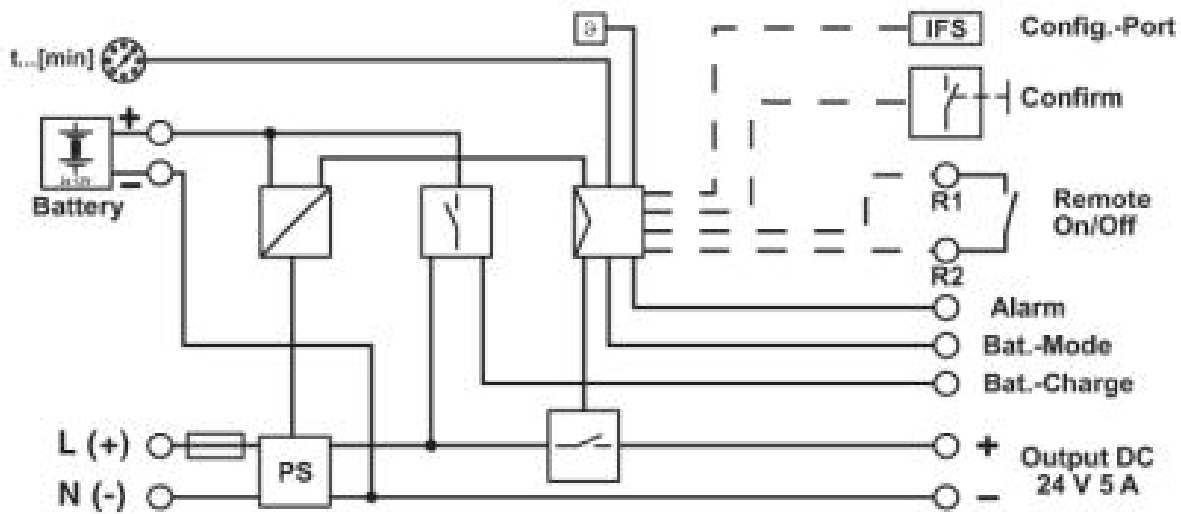
UTA 107 - 2853983



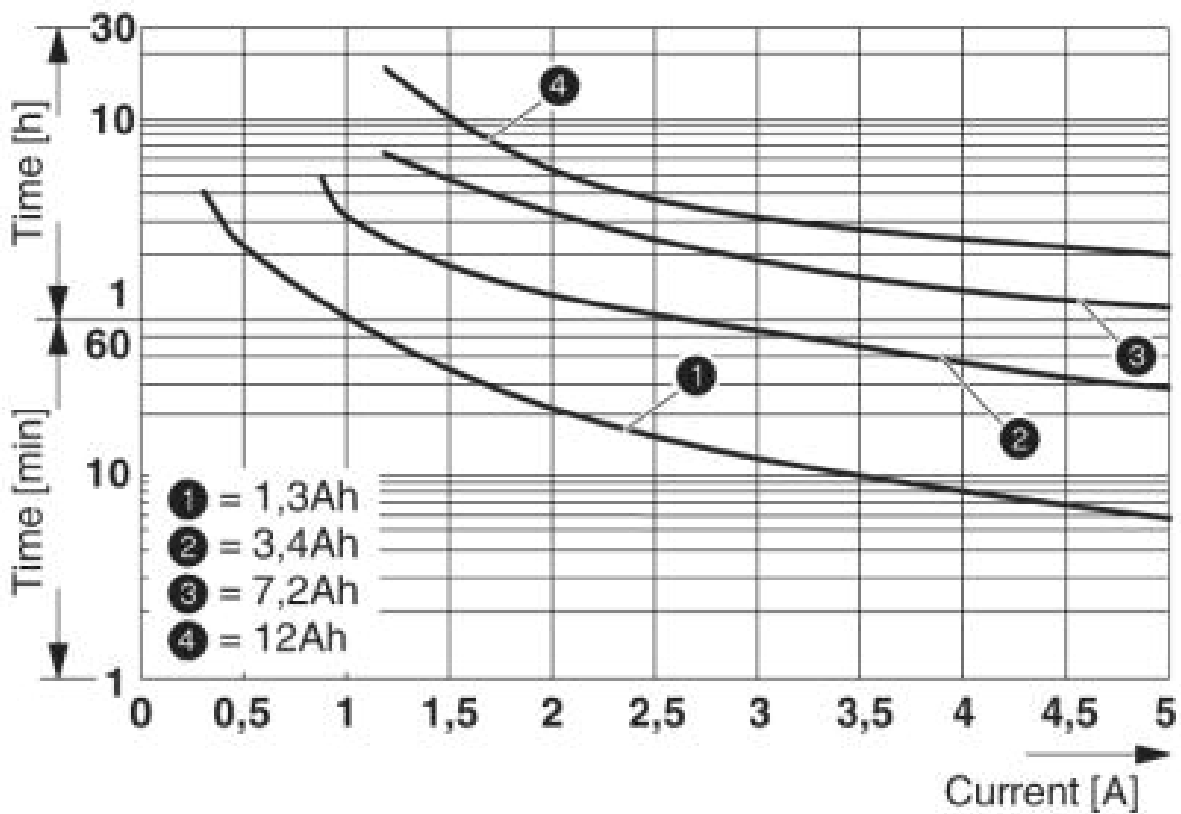
Drawings

Uninterruptible power supply - TRIO-UPS/1AC/24DC/ 5 - 2866611

Block diagram

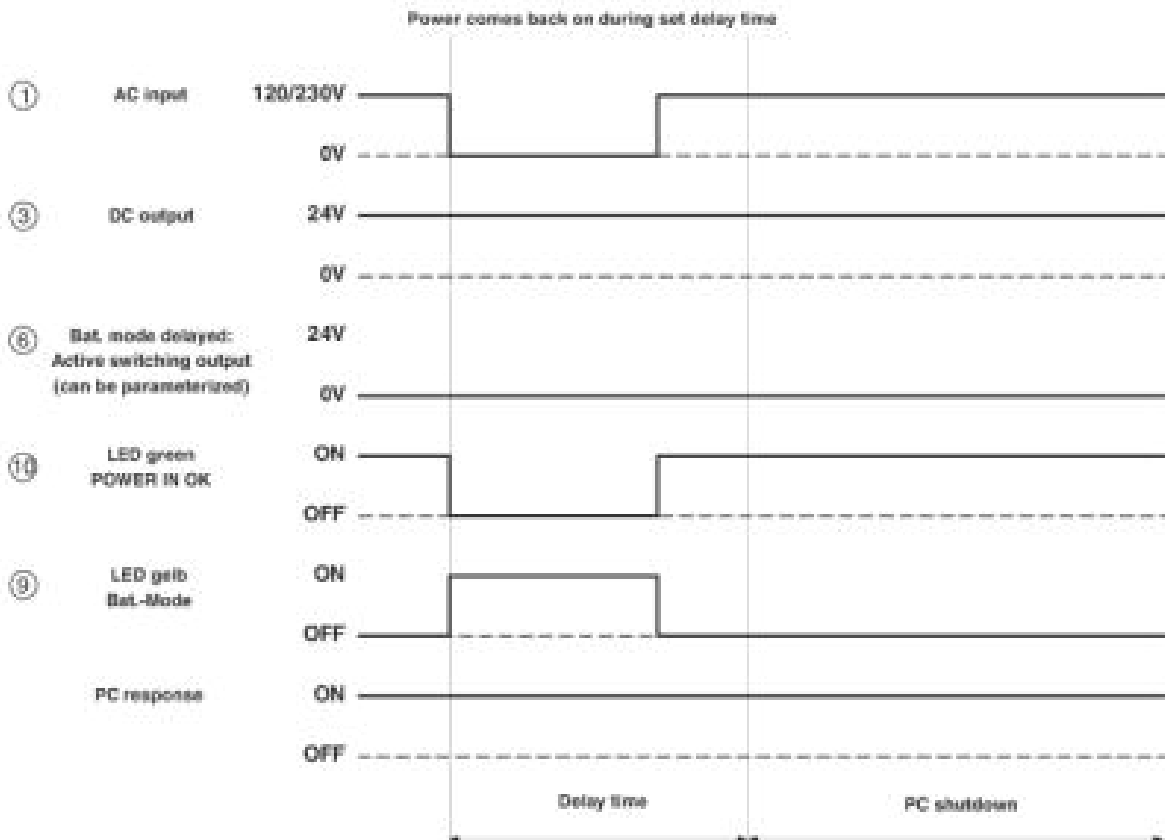


Diagram



Uninterruptible power supply - TRIO-UPS/1AC/24DC/ 5 - 2866611

Diagram



Uninterruptible power supply - TRIO-UPS/1AC/24DC/ 5 - 2866611

Diagram

