

Current transducers - MCR-SLP-1-5-UI-0 - 2814359

Please be informed that the data shown in this PDF Document is generated from our Online Catalog. Please find the complete data in the user's documentation. Our General Terms of Use for Downloads are valid (<http://download.phoenixcontact.com>)



MCR passive current measuring transducer, for sinusoidal alternating currents 0..1 A AC/0..5 A AC, without switching output, output signal 0..10 V/0..20 mA

Product Features

- Loop-powered
- 1 A and 5 A AC measuring ranges, reconnectable



Key commercial data

package_quantity	1
GTIN	4017918148447

Technical data

Note

Utilization restriction	EMC: class A product, see manufacturer's declaration in the download area
-------------------------	---

Dimensions

Width	22.5 mm
Height	99 mm
Depth	114.5 mm

Ambient conditions

Ambient temperature (operation)	-25 °C ... 60 °C
Degree of protection	IP20

Input data

Input	Current measuring input 1 A
Input current range	0 A AC ... 5 A AC
Impulse form	Sine
Overload capacity	2 x I _N (5 min. at 60°C ambient temperature)
Surge strength	50 A (1 s)
Permissible output range	1.2 x I _N
Nominal frequency f _N	50 Hz
Frequency measuring range	45 Hz ... 60 Hz

Current transducers - MCR-SLP-1-5-UI-0 - 2814359

Technical data

Input data

Power loss	1.6 VA (at $I_A = 20$ mA)
Connection method	Screw connection
Input	Current measuring input 5 A
Input current range	0 A AC ... 0.005 A AC
Impulse form	Sine
Overload capacity	$2 \times I_N$ (5 min. at 60°C ambient temperature)
Surge strength	100 A (1 s)
Permissible output range	$1.2 \times I_N$
Nominal frequency f_N	50 Hz
Frequency measuring range	45 Hz ... 60 Hz
Power loss	2.2 VA (at $I = 20$ mA)
Connection method	Screw connection

Output data

Output name	Voltage output
Voltage output signal	0 V ... 10 V
Max. output voltage	20 V
Load/output load voltage output	> 100 kΩ
Output name	Current output
Current output signal	0 mA ... 20 mA
Max. output current	30 mA
Load/output load current output	< 750 Ω
Residual ripple, in reference to the measured value	0.5 % (pp of measured value)

Switching output

Output name	No switching output
-------------	---------------------

Connection data

Connection method	Screw connection
Conductor cross section solid min.	0.2 mm ²
Conductor cross section solid max.	2.5 mm ²
Conductor cross section AWG/kcmil min.	24
Conductor cross section AWG/kcmil max	14
Conductor cross section stranded min.	0.2 mm ²
Conductor cross section stranded max.	2.5 mm ²
Stripping length	8 mm
Screw thread	M3

General

Maximum transmission error	< 0.5 % (of final value)
Maximum temperature coefficient	< 0.015 %/K
Step response (10-90%)	< 200 ms
Protective circuit	Transient protection in the output Suppressor diode

Current transducers - MCR-SLP-1-5-UI-0 - 2814359

Technical data

General

Surge voltage category	III
Pollution degree	2
Rated insulation voltage	300 V AC (to earth)
Test voltage input/output	4 kV (50 Hz, 1 min.)
Color	green
Housing material	Polyamide PA non-reinforced
Mounting position	< 50°C: Any; > 50°C: Vertical (installation on horizontal DIN rail)
Conformance	CE-compliant

classifications

eCl@ss

eCl@ss 4.0	27200303
eCl@ss 4.1	27200303
eCl@ss 5.0	27200303
eCl@ss 5.1	27200303
eCl@ss 6.0	27200303
eCl@ss 7.0	27142316
eCl@ss 8.0	27142316

ETIM

ETIM 2.0	EC001440
ETIM 3.0	EC001440
ETIM 4.0	EC001440
ETIM 5.0	EC001440

UNSPSC

UNSPSC 6.01	30211506
UNSPSC 7.0901	39121008
UNSPSC 11	39121008
UNSPSC 12.01	39121008
UNSPSC 13.2	39121008

approvals

UL Recognized / cUL Recognized / GOST / cULus Recognized /

Approval details



Current transducers - MCR-SLP-1-5-UI-0 - 2814359

approvals

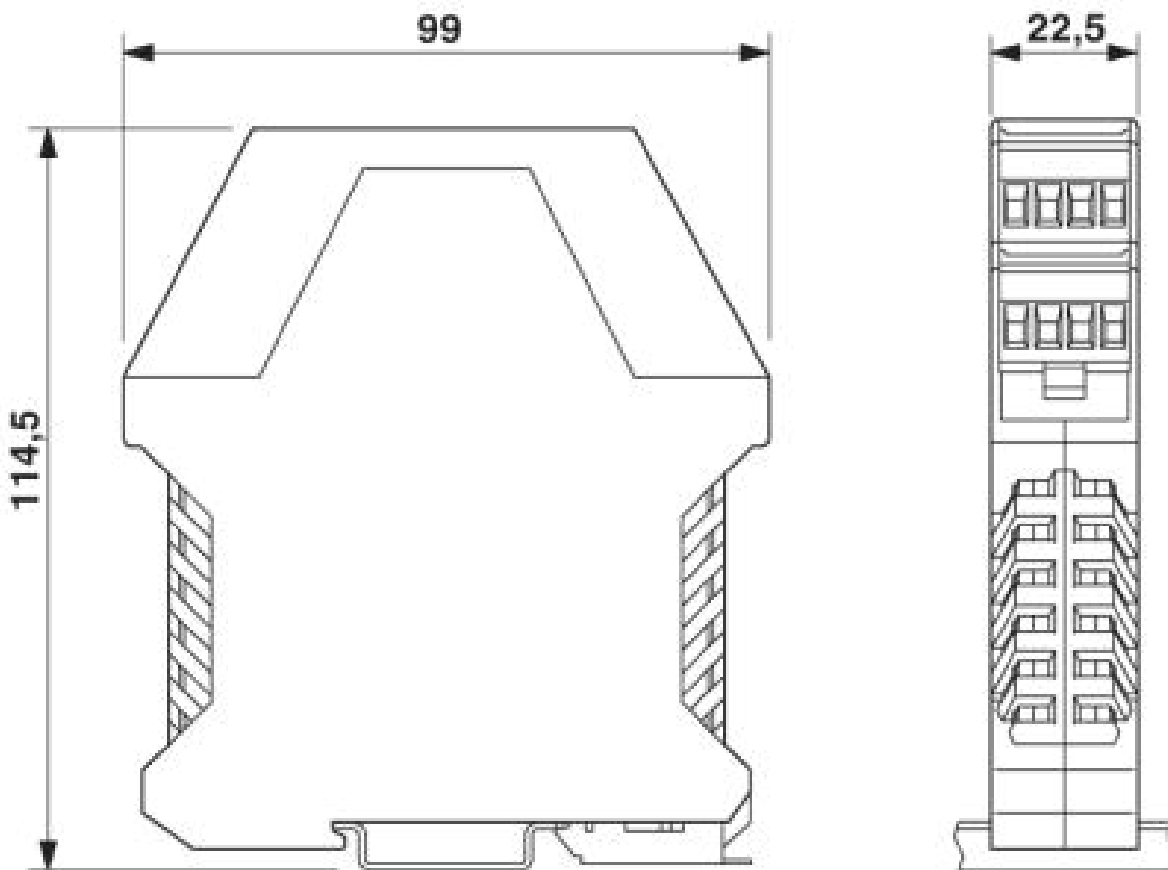
cUL Recognized

GOST

cULus Recognized

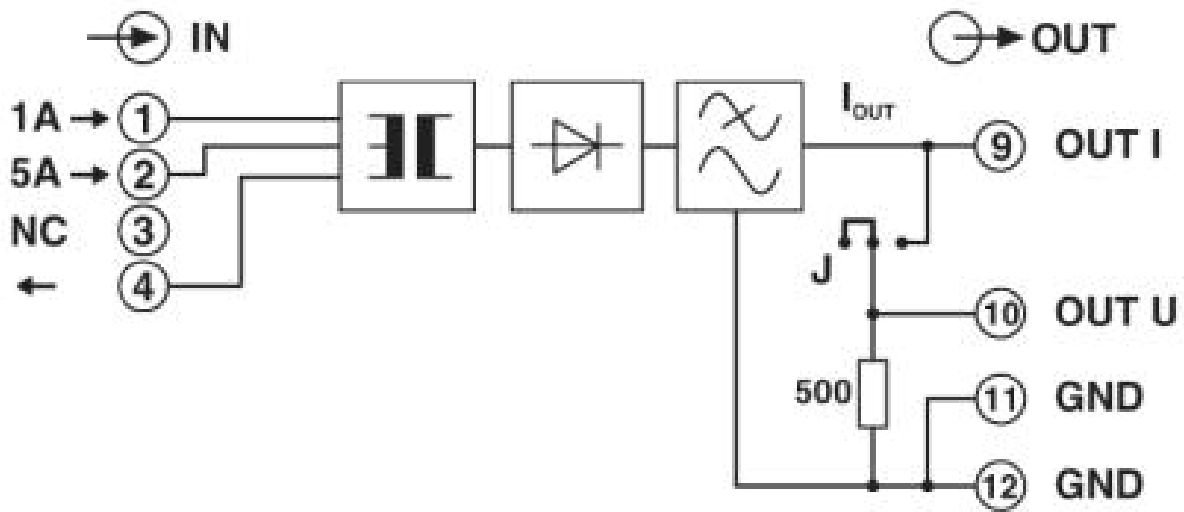
Drawings

Dimensioned drawing



Current transducers - MCR-SLP-1-5-UI-0 - 2814359

Circuit diagram



© Phoenix Contact 2014 - all rights reserved
<http://www.phoenixcontact.com>