

# Universal current transducer - MCR-SL-CUC-100-I - 2308027

Please be informed that the data shown in this PDF Document is generated from our Online Catalog. Please find the complete data in the user's documentation. Our General Terms of Use for Downloads are valid (<http://download.phoenixcontact.com>)



Universal current transducer, for measuring AC, DC, and distorted currents, 0 ... 100 A input current, 4 ... 20 mA output

## Product Features

- Variable mounting on DIN rail and mounting plate
- Compact dimensions also enable distributed use
- Simple connection technology thanks to COMBICON plug-in connection terminal blocks
- 3-way isolation
- Universal current measurement, no shunt required

## Key commercial data

<b>package_quantity</b>	1
<b>GTIN</b>	4046356433808

## Technical data

### Dimensions

<b>Width</b>	90 mm
<b>Height</b>	33.8 mm
<b>Depth</b>	85 mm

### Ambient conditions

<b>Ambient temperature (operation)</b>	-40 °C ... 65 °C
<b>Ambient temperature (storage/transport)</b>	-40 °C ... 85 °C
<b>Degree of protection</b>	IP20

### Input data

<b>Input current range</b>	0 A ... 100 A
<b>Overload capacity</b>	6 x I <sub>IN</sub>
<b>Frequency measuring range</b>	20 Hz ... 6000 Hz (0 Hz)
<b>Connection method</b>	Cable design: 32 mm diameter

### Output data

<b>Output name</b>	Current output
<b>Current output signal</b>	4 mA ... 20 mA
<b>Max. output current</b>	< 25 mA
<b>Load/output load current output</b>	< 300 Ω

# Universal current transducer - MCR-SL-CUC-100-I - 2308027

## Technical data

### Switching output

Output name	No switching output
-------------	---------------------

### Power supply

Nominal supply voltage	24 V DC
Supply voltage range	20 V DC ... 30 V DC
Max. current consumption	(30 + I <sub>OUT</sub> ) mA
Power consumption	1.65 W

### Connection data

Conductor cross section solid min.	0.25 mm <sup>2</sup>
Conductor cross section solid max.	2.5 mm <sup>2</sup>
Conductor cross section AWG/kcmil min.	24
Conductor cross section AWG/kcmil max	12
Conductor cross section stranded min.	0.2 mm <sup>2</sup>
Conductor cross section stranded max.	2.5 mm <sup>2</sup>
Stripping length	10 mm

### General

Maximum transmission error	<± 1 % (of final value)
Temperature coefficient, typical	0.02 %/K (0 ... 60°C)
Temperature coefficient, typical	0.04 %/K (-40 ... 65°C)
Linearity error	<± 1 % (From the range end value)
Step response (10-90%)	150 ms
Surge voltage category	III
Pollution degree	2
Rated insulation voltage	300 V AC
Test voltage input/output	3.5 kV (50 Hz, 1 min.)
Test voltage input/power supply	3.5 kV (50 Hz, 1 min.)
Noise emission	EN 61000-6-4
Noise immunity	EN 61000-6-2
Color	green
Housing material	Frianyl B63 V0 GV30
Conformance	CE-compliant
UL, USA / Canada	UL/C-UL listed UL 508

## classifications

### eCl@ss

eCl@ss 4.0	27200303
eCl@ss 4.1	27200303
eCl@ss 5.0	27200303
eCl@ss 5.1	27200303
eCl@ss 6.0	27200303

# Universal current transducer - MCR-SL-CUC-100-I - 2308027

## classifications

### eCl@ss

eCl@ss 7.0	27142316
eCl@ss 8.0	27142316

### ETIM

ETIM 3.0	EC002475
ETIM 4.0	EC002048
ETIM 5.0	EC002048

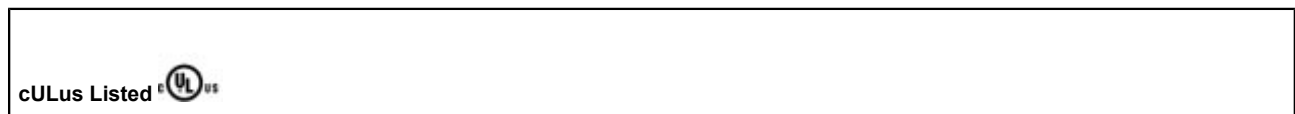
### UNSPSC

UNSPSC 6.01	30211504
UNSPSC 7.0901	39121006
UNSPSC 11	39121006
UNSPSC 12.01	39121006
UNSPSC 13.2	39121006

## approvals

UL Listed / cUL Listed / cULus Listed /

### Approval details

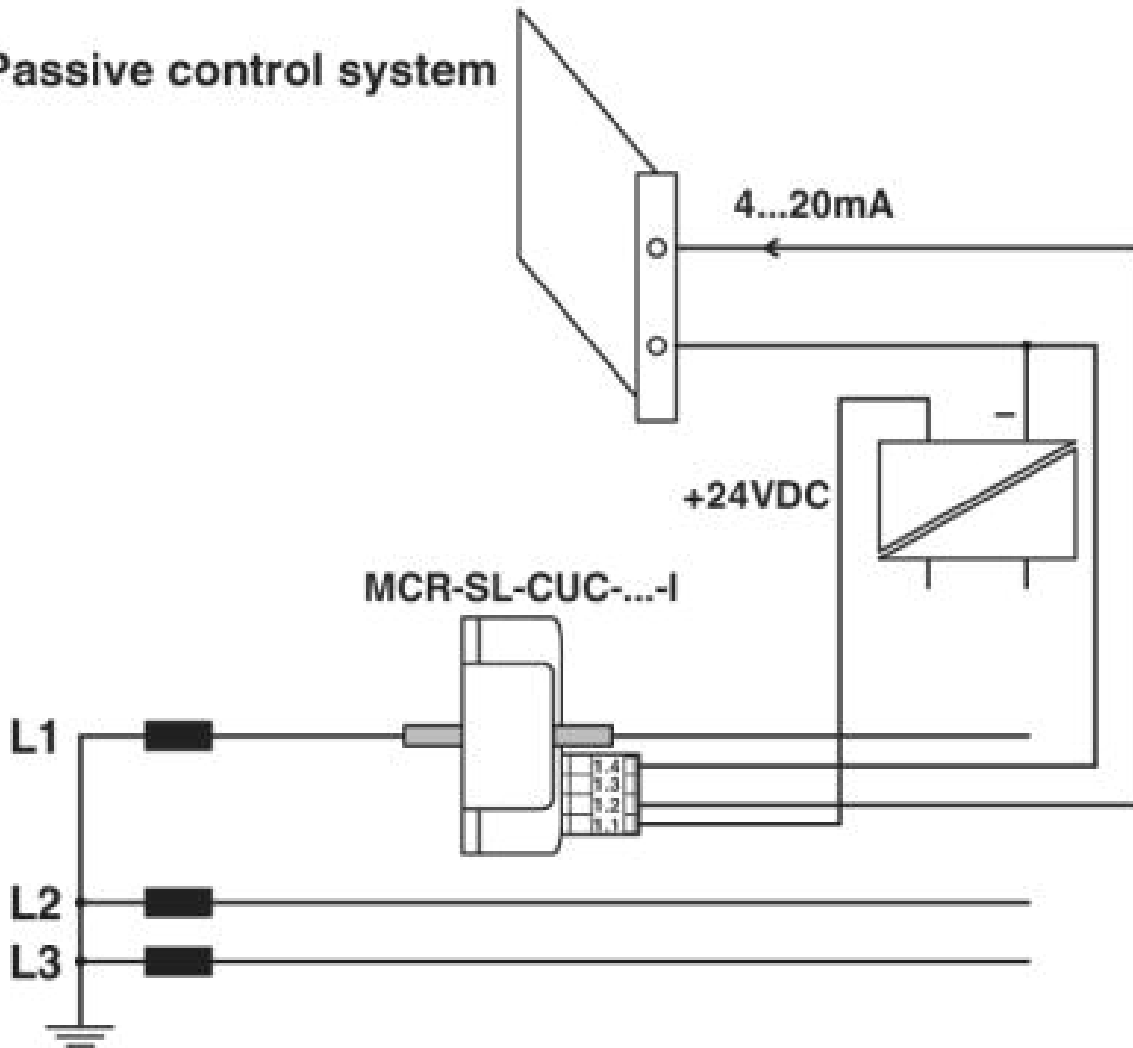


## Drawings

# Universal current transducer - MCR-SL-CUC-100-I - 2308027

Application drawing

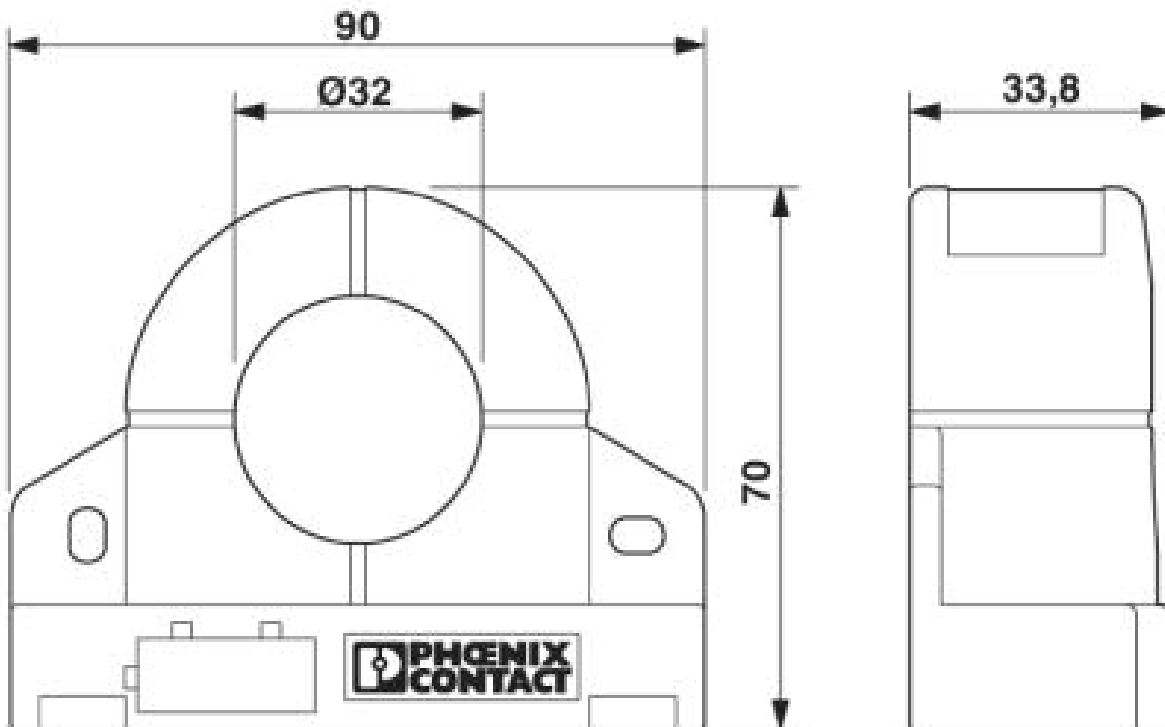
## Passive control system



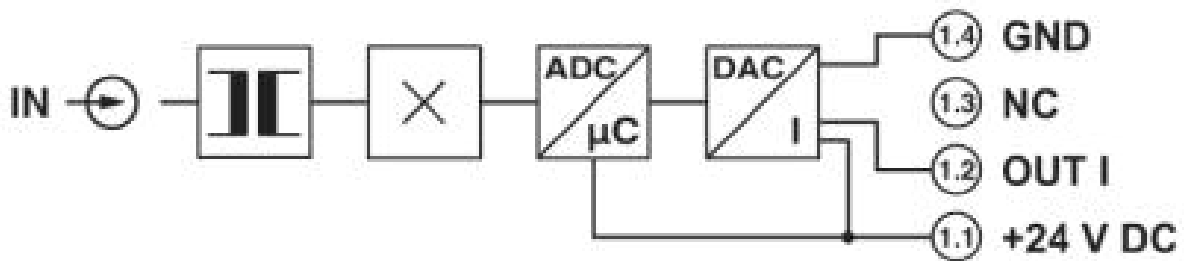
Current monitoring

# Universal current transducer - MCR-SL-CUC-100-I - 2308027

Dimensioned drawing

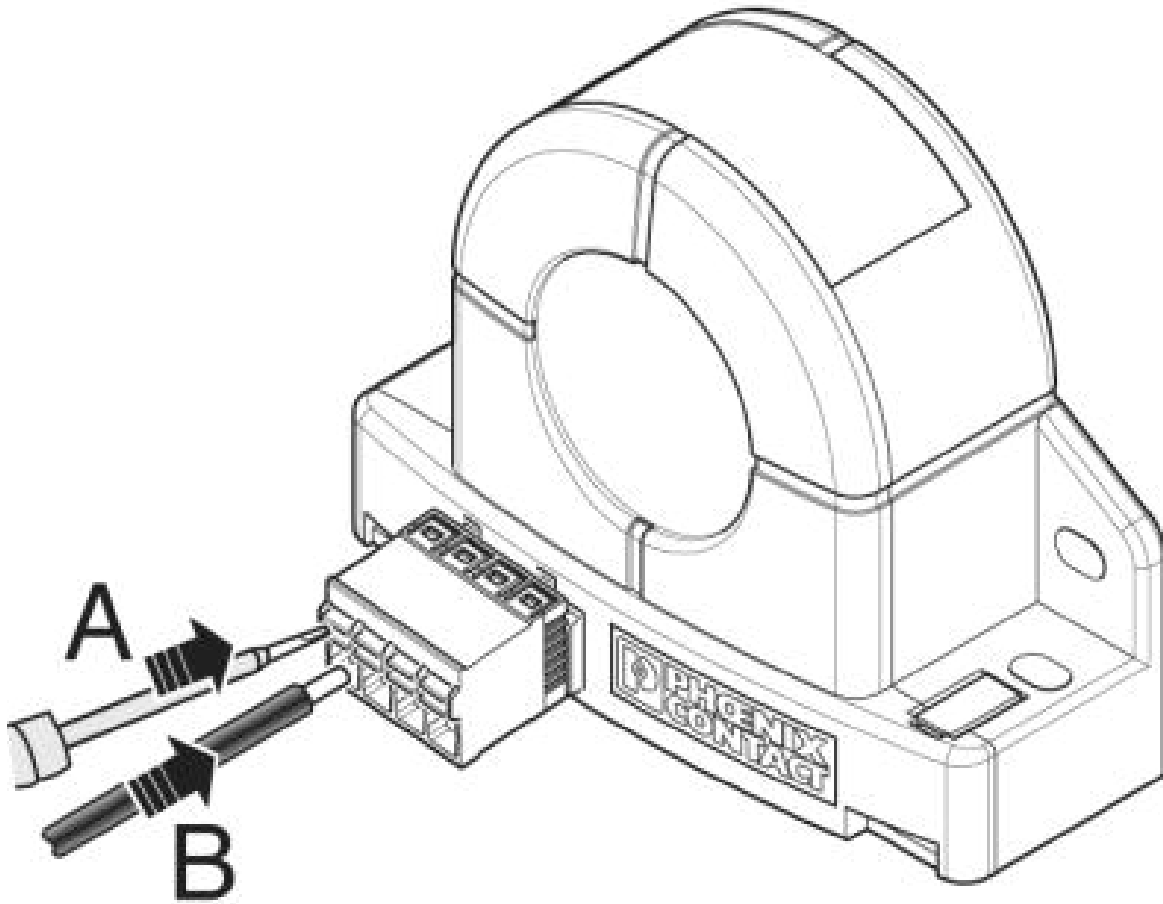


Circuit diagram



# Universal current transducer - MCR-SL-CUC-100-I - 2308027

Schematic diagram



© Phoenix Contact 2014 - all rights reserved  
<http://www.phoenixcontact.com>