

# Solid-state reversing contactor - ELR W3-24DC/500AC-16 - 2297332

Please be informed that the data shown in this PDF Document is generated from our Online Catalog. Please find the complete data in the user's documentation. Our General Terms of Use for Downloads are valid (<http://download.phoenixcontact.com>)



Three-phase solid-state reversing contactor with 24 V DC input, 16 A output current, zero voltage switch, optionally with thermal fuse

The figure shows version: ELR W2+1- 24DC/500AC-37

## Product Features

- Optional thermal fuse
- Stable and short switching times
- Noise and wear-free switching
- Long service life
- Integrated locking and load wiring
- High switching frequency
- Integrated protection circuit



## Key commercial data

package_quantity	1
GTIN	4046356175692

## Technical data

### Dimensions

Width	147.5 mm
Height	99 mm
Depth	114.5 mm

### Ambient conditions

Ambient temperature (operation)	-25 °C ... 70 °C
Ambient temperature (storage/transport)	-25 °C ... 70 °C
Degree of protection	IP20

### Input data

Input name	Device supply
Rated actuating voltage $U_c$	24 V DC
Voltage range with reference to $U_c$	0.8 ... 1.25

# Solid-state reversing contactor - ELR W3-24DC/500AC-16 - 2297332

## Technical data

### Input data

Rated actuating current $I_c$	12.7 mA
Switching threshold "0" signal, voltage	9.6 V
Switching threshold "1" signal voltage	19.2 V
Protective circuit	Protection against polarity reversal Suppressor diode
Protective circuit	Surge protection
Status display	Yellow LED
Indication	Red LED
Input name	Control input right/left

### Output data

Output name	AC output
Nominal output voltage	500 V AC
Nominal output voltage range	48 V AC ... 575 V AC
Periodic peak reverse voltage	1200 V
Load current	max. 16 A (see derating curve)
Rated operating current at AC-51	16 A
Rated operating current at AC-53a	12 A
Leakage current	6 mA
Residual voltage	< 1.5 V
Surge current	300 A (t = 10 ms)
Max. load value	580 A <sup>2</sup> s
Type of protection	RCV circuit
Surge voltage protection	> 575 V AC

### General

Test voltage input/output	5 kV <sub>rms</sub>
Mounting position	Vertical (horizontal DIN rail)
Assembly instructions	Can be aligned with spacing = 40 mm
Operating mode	100% operating factor
Designation	Standards/regulations
Standards/regulations	DIN EN 50178
Standards/regulations	EN 60947
Designation	Power station requirements
Standards/regulations	DWR 1300 / ZXX01/DD/7080.8d
Designation	Air and creepage distances between the power circuits
Standards/regulations	DIN EN 50178
Rated surge voltage / insulation	6 kV / Basic isolation
Rated insulation voltage	500 V
Pollution degree	2
Surge voltage category	III

# Solid-state reversing contactor - ELR W3-24DC/500AC-16 - 2297332

## classifications

### eCl@ss

eCl@ss 4.0	27371102
eCl@ss 4.1	27371102
eCl@ss 5.0	27371601
eCl@ss 5.1	27371601
eCl@ss 6.0	27371601
eCl@ss 7.0	27371601
eCl@ss 8.0	27371601

### ETIM

ETIM 2.0	EC000066
ETIM 3.0	EC000066
ETIM 4.0	EC000066
ETIM 5.0	EC002055

### UNSPSC

UNSPSC 6.01	30211915
UNSPSC 7.0901	39121514
UNSPSC 11	39121514
UNSPSC 12.01	39121514
UNSPSC 13.2	39121514

## approvals

UL Listed / cUL Listed / GL / cULus Listed /

### Approval details

UL Listed

cUL Listed

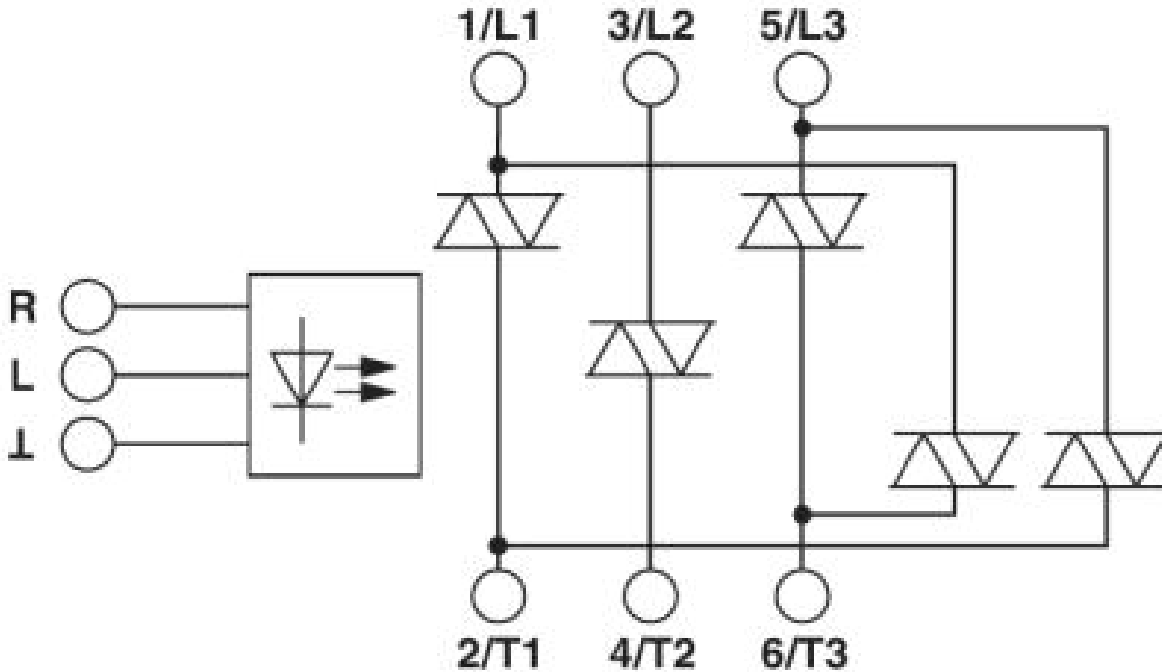
GL

cULus Listed

## Drawings

# Solid-state reversing contactor - ELR W3-24DC/500AC-16 - 2297332

Block diagram



Diagram

