

Passive module - VIP-2/SC/2FLK14 (1-20) /S7 - 2315230

Please be informed that the data shown in this PDF Document is generated from our Online Catalog. Please find the complete data in the user's documentation. Our General Terms of Use for Downloads are valid (<http://download.phoenixcontact.com>)



VARIOFACE interface module for Siemens SIMATIC® S7-300, for max. 16 channels with SIMATIC®-specific labeling (1 - 20), with screw connection, module width: 80.6 mm



Key commercial data

package_quantity	1
GTIN	4046356313070

Technical data

Dimensions

Width	80.6 mm
Height	65.5 mm
Depth	56 mm

Ambient conditions

Ambient temperature (operation)	-20 °C ... 50 °C
Ambient temperature (storage/transport)	-20 °C ... 70 °C

General

Nominal voltage U_N	60 V AC/DC
Max. current carrying capacity per branch	1 A
Number of positions	14
Status display	No
Mounting position	any
Standards/regulations	IEC 60664
Standards/regulations	DIN EN 50178
Standards/regulations	IEC 62103
Pollution degree	2
Surge voltage category	II
Rated surge voltage	0.6 kV

Connection data for connection 1

Connection name	Field level
Connection method	Screw connection

Passive module - VIP-2/SC/2FLK14 (1-20) /S7 - 2315230

Technical data

Connection data for connection 1

Conductor cross section solid min.	0.2 mm ²
Conductor cross section solid max.	4 mm ²
Conductor cross section stranded min.	0.2 mm ²
Conductor cross section stranded max.	2.5 mm ²
Conductor cross section AWG/kcmil min.	24
Conductor cross section AWG/kcmil max	12
Stripping length	8 mm
Screw thread	M 3

Connection data for connection 2

Connection name	Control system level
Number of connections	2
Connection method	IDC/FLK pin strip (2.54 mm)
Number of positions	14

Supported controller

Controller	GE-FANUC 90-30
- suitable I/O card	IC693 MDL732
- suitable I/O card	IC693 MDL733
- suitable I/O card	IC693 MDL740
- suitable I/O card	IC693 MDL741
- suitable I/O card	IC693 MDL742
- suitable I/O card	IC693 ALG220
- suitable I/O card	IC693 ALG221
- suitable I/O card	IC693 ALG222
- suitable I/O card	IC693 ALG223
- suitable I/O card	IC693 ALG390
- suitable I/O card	IC693 ALG391
- suitable I/O card	IC693 ALG392
- suitable I/O card	IC693 ALG442

classifications

eCl@ss

eCl@ss 4.0	27250313
eCl@ss 4.1	27250313
eCl@ss 5.0	27250313
eCl@ss 5.1	27250313
eCl@ss 6.0	27242608
eCl@ss 7.0	27141152
eCl@ss 8.0	27141152

ETIM

Passive module - VIP-2/SC/2FLK14 (1-20) /S7 - 2315230

classifications

ETIM

ETIM 2.0	EC001434
ETIM 3.0	EC001604
ETIM 4.0	EC001604
ETIM 5.0	EC001604

UNSPSC

UNSPSC 6.01	30211824
UNSPSC 7.0901	39121421
UNSPSC 11	39121421
UNSPSC 12.01	39121421
UNSPSC 13.2	39121421

approvals

CSA / UL Recognized / cUL Recognized / UL Recognized / cULus Recognized /

Approval details

CSA	
Nominal voltage UN	125 V
Nominal current IN	1 A
mm ² /AWG/kcmil	30-12

UL Recognized	
Nominal voltage UN	125 V
Nominal current IN	1 A
mm ² /AWG/kcmil	30-12

cUL Recognized	
Nominal voltage UN	125 V
Nominal current IN	1 A
mm ² /AWG/kcmil	30-12

Passive module - VIP-2/SC/2FLK14 (1-20) /S7 - 2315230

approvals

Nominal voltage UN	125 V
Nominal current IN	1 A
mm ² /AWG/kcmil	30-12

cULus Recognized	
------------------	--

accessories

System cable

FLK 14/EZ-DR/ 30/KONFEK - 2295729



FLK 14/EZ-DR/ 50/KONFEK - 2288901



FLK 14/EZ-DR/ 100/KONFEK - 2288914



Passive module - VIP-2/SC/2FLK14 (1-20) /S7 - 2315230

accessories

FLK 14/EZ-DR/ 150/KONFEK - 2288927



FLK 14/EZ-DR/ 200/KONFEK - 2288930



FLK 14/EZ-DR/ 250/KONFEK - 2288943



FLK 14/EZ-DR/ 300/KONFEK - 2288956



FLK 14/EZ-DR/ 350/KONFEK - 2288969



FLK 14/EZ-DR/ 400/KONFEK - 2288972



Passive module - VIP-2/SC/2FLK14 (1-20) /S7 - 2315230

accessories

FLK 14/EZ-DR/ 450/KONFEK - 2290847



FLK 14/EZ-DR/ 500/KONFEK - 2290834



FLK 14/EZ-DR/ 550/KONFEK - 2290850



FLK 14/EZ-DR/ 600/KONFEK - 2290863



FLK 14/EZ-DR/ 800/KONFEK - 2299563



Passive module - VIP-2/SC/2FLK14 (1-20) /S7 - 2315230

accessories

FLK 14/EZ-DR/1000/KONFEK - 2299576



FLK EZ-DR.../.../... - 2295059



FLK 14/EZ-DR/ 50/KONFEK/S - 2296977



FLK 14/EZ-DR/ 100/KONFEK/S - 2296980



FLK 14/EZ-DR/ 200/KONFEK/S - 2297002



FLK 14/EZ-DR/ 300/KONFEK/S - 2299013



Passive module - VIP-2/SC/2FLK14 (1-20) /S7 - 2315230

accessories

FLK 14/EZ-DR/ 400/KONFEK/S - 2299026



FLK 14/EZ-DR/ 600/KONFEK/S - 2299039



FLK 14/EZ-DR/ 800/KONFEK/S - 2299042



FLK 14/EZ-DR/1000/KONFEK/S - 2299055



FLK EZ-DR-S.../.../... - 2295046



Passive module - VIP-2/SC/2FLK14 (1-20) /S7 - 2315230

accessories

FLK 14/EZ-DR/HF/ 50/KONFEK - 2305952



FLK 14/EZ-DR/HF/ 100/KONFEK - 2305965



FLK 14/EZ-DR/HF/ 150/KONFEK - 2305978



FLK 14/EZ-DR/HF/ 200/KONFEK - 2305981



FLK 14/EZ-DR/HF/ 250/KONFEK - 2305994



FLK 14/EZ-DR/HF/ 300/KONFEK - 2304759



Passive module - VIP-2/SC/2FLK14 (1-20) /S7 - 2315230

accessories

FLK 14/EZ-DR/HF/ 400/KONFEK - 2304762



FLK 14/EZ-DR/HF/ 500/KONFEK - 2304717



FLK 14/EZ-DR/HF/ 600/KONFEK - 2306003



FLK 14/EZ-DR/HF/ 700/KONFEK - 2314011



FLK 14/EZ-DR/HF/ 800/KONFEK - 2314024



Passive module - VIP-2/SC/2FLK14 (1-20) /S7 - 2315230

accessories

FLK 14/EZ-DR/HF/1000/KONFEK - 2314037



FLK 14-EZ-DR-HF/... - 2314040



Terminal marking

UC-TM 4 - 0818111



UC-TM 6 - 0818085



ZB 5,08:UNBEDRUCKT - 0809793



Passive module - VIP-2/SC/2FLK14 (1-20) /S7 - 2315230

accessories

ZB 22:UNBEDRUCKT - 0811862



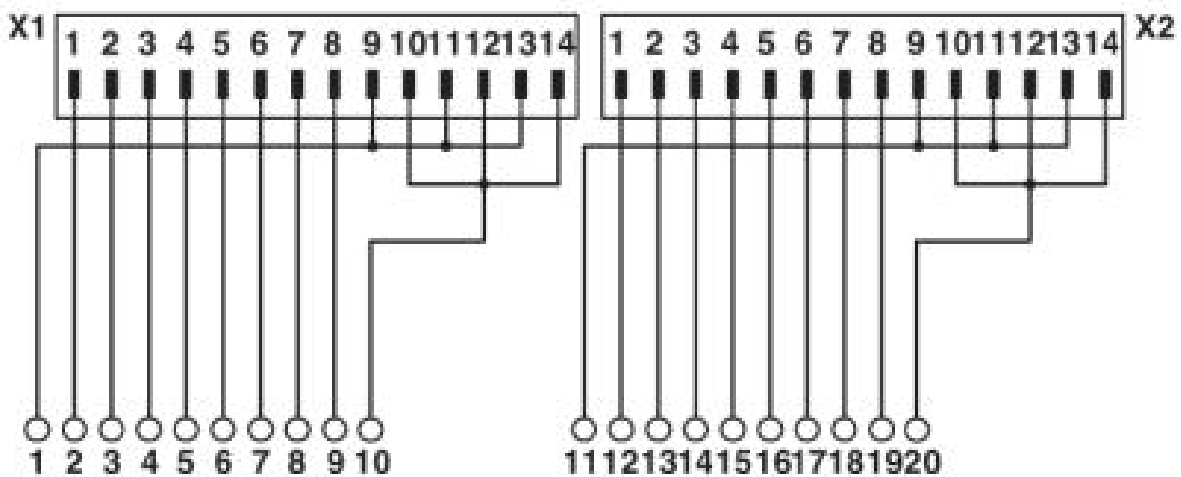
accessories

BLUEMARK X1 - 5147777



Drawings

Circuit diagram



Connection diagram: VIP-2/.../2FLK14 (1-20) /S7

© Phoenix Contact 2014 - all rights reserved
<http://www.phoenixcontact.com>