

# Interface module - VIP-2/SC/D 9SUB/M - 2315117

Please be informed that the data shown in this PDF Document is generated from our Online Catalog. Please find the complete data in the user's documentation. Our General Terms of Use for Downloads are valid (<http://download.phoenixcontact.com>)



VARIOFACE module, with screw connection and male D-Subminiature pin strip, for mounting on NS 35 rails, 9-pos.

The illustration shows a 15 position version with male D-sub connector.

## Product Features

- 9 to 50-pos.
- Metal foot
- According to IEC 60603-13
- Screw connection
- 1:1 connection



## Key commercial data

package_quantity	1
GTIN	4046356313308

## Technical data

### Dimensions

Width	34.7 mm
Height	65.5 mm
Depth	45.1 mm

### Ambient conditions

Ambient temperature (operation)	-20 °C ... 50 °C
Ambient temperature (storage/transport)	-20 °C ... 70 °C

### General

Nominal voltage $U_N$	125 V AC/DC
Max. current carrying capacity per branch	2 A
Number of positions	9
Mounting position	any
Standards/regulations	IEC 60664
Standards/regulations	DIN EN 50178

# Interface module - VIP-2/SC/D 9SUB/M - 2315117

## Technical data

### General

Standards/regulations	IEC 62103
Pollution degree	2
Surge voltage category	II
Rated surge voltage	1.2 kV

### Connection data for connection 1

Connection name	PCB connection
Connection in acc. with standard	IEC / EN
Connection method	Screw connection
Conductor cross section solid min.	0.2 mm <sup>2</sup>
Conductor cross section solid max.	4 mm <sup>2</sup>
Conductor cross section stranded min.	0.2 mm <sup>2</sup>
Conductor cross section stranded max.	2.5 mm <sup>2</sup>
Conductor cross section AWG/kcmil min.	24
Conductor cross section AWG/kcmil max	12
Stripping length	8 mm
Screw thread	M 3

### Connection data for connection 2

Connection name	D-SUB connection
Number of connections	1
Connection method	D-SUB pin strip
Number of positions	9

## classifications

### eCl@ss

eCl@ss 4.0	27250313
eCl@ss 4.1	27250313
eCl@ss 5.0	27250313
eCl@ss 5.1	27250313
eCl@ss 6.0	27242608
eCl@ss 7.0	27141152
eCl@ss 8.0	27141152

### ETIM

ETIM 2.0	EC001434
ETIM 3.0	EC001604
ETIM 4.0	EC001604
ETIM 5.0	EC002780

### UNSPSC

UNSPSC 6.01	30211824
UNSPSC 7.0901	39121421

# Interface module - VIP-2/SC/D 9SUB/M - 2315117

## classifications

### UNSPSC

<b>UNSPSC 11</b>	39121421
<b>UNSPSC 12.01</b>	39121421
<b>UNSPSC 13.2</b>	39121421

## approvals

CSA / UL Recognized / cUL Recognized / cULus Recognized /

### Approval details

<b>CSA</b>	
Nominal voltage UN	105 V
Nominal current IN	2 A
mm <sup>2</sup> /AWG/kcmil	30-12

<b>UL Recognized</b>	
Nominal voltage UN	125 V
Nominal current IN	2 A
mm <sup>2</sup> /AWG/kcmil	30-12

<b>cUL Recognized</b>	
Nominal voltage UN	125 V
Nominal current IN	2 A
mm <sup>2</sup> /AWG/kcmil	30-12

<b>cULus Recognized</b>	
-------------------------	--

## accessories

### System cable

## Interface module - VIP-2/SC/D 9SUB/M - 2315117

### accessories

CABLE-D 9SUB/B/S/ 50/KONFEK/S - 2299987



CABLE-D 9SUB/B/S/100/KONFEK/S - 2299990



CABLE-D 9SUB/B/S/150/KONFEK/S - 2300009



CABLE-D 9SUB/B/S/200/KONFEK/S - 2302010



CABLE-D 9SUB/B/S/300/KONFEK/S - 2302023



CABLE-D 9SUB/B/S/400/KONFEK/S - 2302036



## Interface module - VIP-2/SC/D 9SUB/M - 2315117

### accessories

---

CABLE-D 9SUB/B/S/600/KONFEK/S - 2302049



CABLE D-SUB-S/.../.../... - 2302340



CABLE-D 9SUB/B/B/100/KONFEK/S - 2305415



CABLE-D 9SUB/B/B/200/KONFEK/S - 2305428



CABLE-D 9SUB/B/B/300/KONFEK/S - 2305431



## Interface module - VIP-2/SC/D 9SUB/M - 2315117

### accessories

CABLE D-SUB-B-B-S/.../.../... - 2302421



---

### Terminal marking

UC-TM 4 - 0818111



---

UC-TM 6 - 0818085



---

ZB 5,08:UNBEDRUCKT - 0809793



---

ZB 22:UNBEDRUCKT - 0811862



# Interface module - VIP-2/SC/D 9SUB/M - 2315117

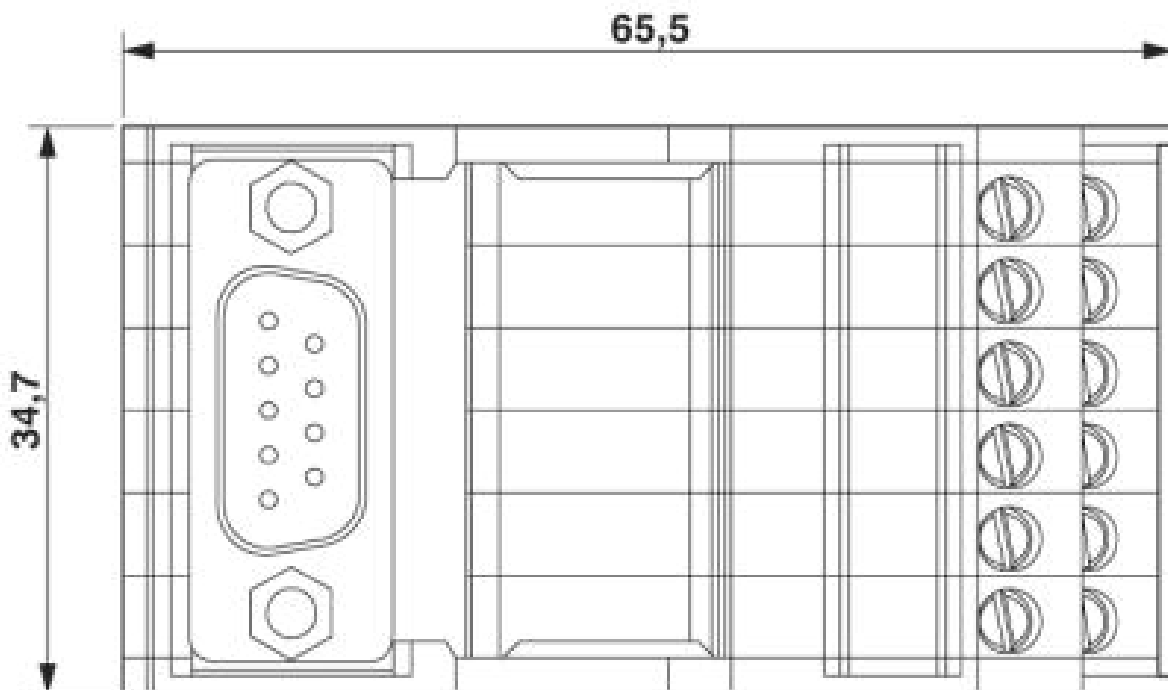
accessories

BLUEMARK X1 - 5147777



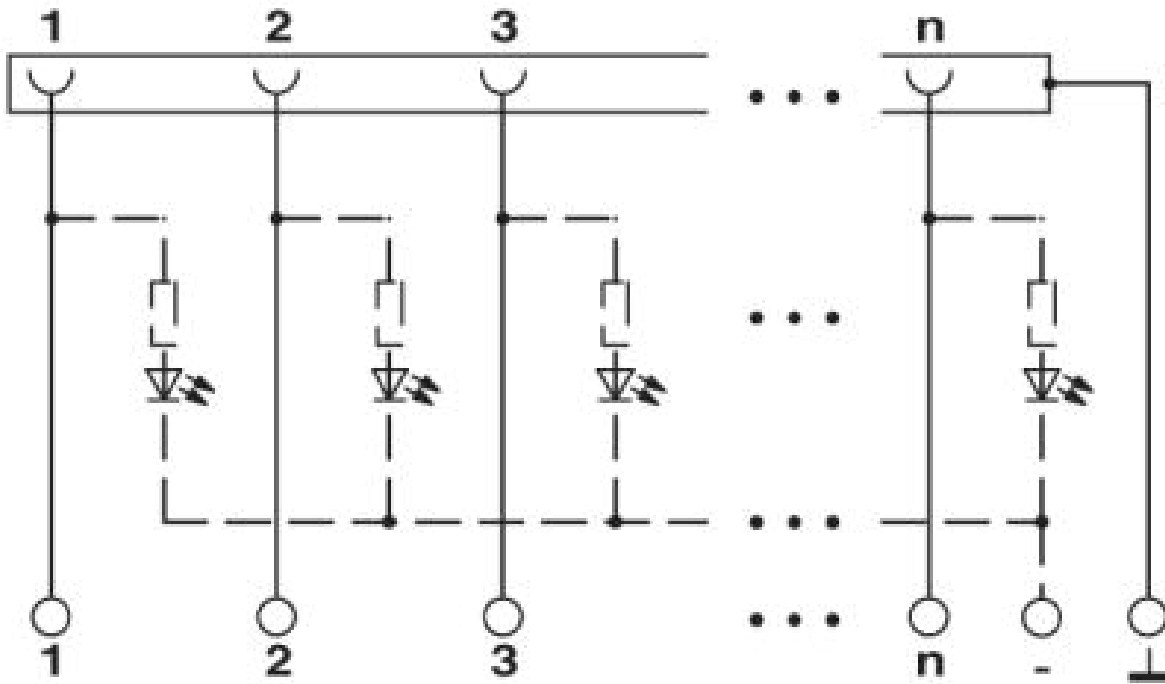
## Drawings

Dimensioned drawing



# Interface module - VIP-2/SC/D 9SUB/M - 2315117

Circuit diagram



© Phoenix Contact 2014 - all rights reserved  
<http://www.phoenixcontact.com>