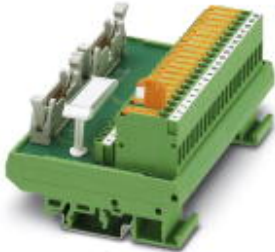


# Passive module - FLKM-2FLK14/KDS3-MT/PPA/S7 - 2295062

Please be informed that the data shown in this PDF Document is generated from our Online Catalog. Please find the complete data in the user's documentation. Our General Terms of Use for Downloads are valid (<http://download.phoenixcontact.com>)



VARIOFACE interface module for Siemens SIMATIC® S7-300, for max. 16 channels, with SIMATIC®-specific labeling (1 - 20), knife disconnect terminal block and test connection, module width: 113 mm

## Product Features

- Numerical labeling (1 - 20)
- Specifically for S7-300 (in conjunction with the FLKM 14-PA-S300 front adapter, Order No. 2299770)



## Key commercial data

package_quantity	1
GTIN	4017918339982

## Technical data

### Dimensions

Width	113 mm
Height	77 mm
Depth	61 mm

### Ambient conditions

Ambient temperature (operation)	-20 °C ... 50 °C
Ambient temperature (storage/transport)	-20 °C ... 70 °C

### General

Nominal voltage $U_N$	60 V DC
Max. current carrying capacity per branch	1 A
Max. total current of voltage supply	3 A (per byte)
Number of positions	14
Status display	No
Test voltage	500 V (50 Hz, 1 min.)
Mounting position	any
Standards/regulations	IEC 60664
Standards/regulations	DIN EN 50178
Standards/regulations	IEC 62103
Pollution degree	2

# Passive module - FLKM-2FLK14/KDS3-MT/PPA/S7 - 2295062

## Technical data

### General

<b>Surge voltage category</b>	II
<b>Rated surge voltage</b>	0.8 kV

### Connection data for connection 1

<b>Connection name</b>	Field level
<b>Connection in acc. with standard</b>	IEC / EN
<b>Connection method</b>	Screw connection with disconnect knife
<b>Conductor cross section solid min.</b>	0.2 mm <sup>2</sup>
<b>Conductor cross section solid max.</b>	4 mm <sup>2</sup>
<b>Conductor cross section stranded min.</b>	0.2 mm <sup>2</sup>
<b>Conductor cross section stranded max.</b>	2.5 mm <sup>2</sup>
<b>Conductor cross section AWG/kcmil min.</b>	24
<b>Conductor cross section AWG/kcmil max</b>	12
<b>Stripping length</b>	8 mm
<b>Screw thread</b>	M3

### Connection data for connection 2

<b>Connection name</b>	Control system level
<b>Number of connections</b>	2
<b>Connection method</b>	IDC/FLK pin strip (2.54 mm)
<b>Number of positions</b>	14

### Supported controller

<b>Controller</b>	GE-FANUC 90-30
- suitable I/O card	IC693 MDL732
- suitable I/O card	IC693 MDL733
- suitable I/O card	IC693 MDL740
- suitable I/O card	IC693 MDL741
- suitable I/O card	IC693 MDL742
- suitable I/O card	IC693 ALG220
- suitable I/O card	IC693 ALG221
- suitable I/O card	IC693 ALG222
- suitable I/O card	IC693 ALG223
- suitable I/O card	IC693 ALG390
- suitable I/O card	IC693 ALG391
- suitable I/O card	IC693 ALG392
- suitable I/O card	IC693 ALG442
<b>Controller</b>	SIEMENS S7-300 / ET 200 M
- suitable I/O card	CPU 312C
- suitable I/O card	CPU 313C-2DP
- suitable I/O card	CPU 314C-2PtP
- suitable I/O card	6ES7 321-1BH50-0AA0
- suitable I/O card	6ES7 321-7BH01-0AB0

# Passive module - FLKM-2FLK14/KDS3-MT/PPA/S7 - 2295062

## Technical data

### Supported controller

- suitable I/O card	6ES7 321-1BH02-0AA0
- suitable I/O card	6ES7 321-1BL00-0AA0
- suitable I/O card	6ES7 322-1BH01-0AA0
- suitable I/O card	6ES7 322-8BF00-0AB0
- suitable I/O card	6ES7 322-1BL00-0AA0
- suitable I/O card	6ES7 323-1BH01-0AA0
- suitable I/O card	6ES7 323-1BL00-0AA0
- suitable I/O card	6ES7 331-7KF02-0AB0
- suitable I/O card	6ES7 331-7KB02-0AB0
- suitable I/O card	6ES7 331-7NF00-0AB0
- suitable I/O card	6ES7 331-7PF01-0AB0
- suitable I/O card	6ES7 331-7PF11-0AB0
- suitable I/O card	6ES7 332-5HD01-0AB0
- suitable I/O card	6ES7 332-5HB01-0AB0
- suitable I/O card	6ES7 332-7ND02-0AB0
- suitable I/O card	6ES7 334-0CE01-0AA0
- suitable I/O card	6ES7 334-0KE00-0AB0
- suitable I/O card	6ES7 335-7HG01-0AB0
- suitable I/O card	6ES7 335-7HG01-0AB0
- suitable I/O card	6ES7 338-4BC01-0AB0
- suitable I/O card	6ES7 350-1AH03-0AE0
- suitable I/O card	6ES7 350-2AH01-0AE0
- suitable I/O card	6ES7 351-1AH01-0AE0
- suitable I/O card	6ES7 352-1AH02-0AE0
- suitable I/O card	6ES7 353-1AH01-0AE0
- suitable I/O card	6ES7 354-1AH01-0AE0
- suitable I/O card	6ES7 355-0VH10-0AE0
- suitable I/O card	6ES7 355-1VH10-0AE0
- suitable I/O card	6ES7 357-4AH01-0AE0
- suitable I/O card	6ES7 321-7BH01-0AB0
- suitable I/O card	6ES7 321-1BH10-0AA0
- suitable I/O card	6ES7 322-1BH10-0AA0
- suitable I/O card	CPU 313C
- suitable I/O card	CPU 313C-2PtP
- suitable I/O card	6ES7 336-4GE00-0AB0

## classifications

### eCl@ss

eCl@ss 4.0	27250313
eCl@ss 4.1	27250313

# Passive module - FLKM-2FLK14/KDS3-MT/PPA/S7 - 2295062

## classifications

### eCl@ss

eCl@ss 5.0	27250313
eCl@ss 5.1	27250313
eCl@ss 6.0	27242608
eCl@ss 7.0	27141152
eCl@ss 8.0	27141152

### ETIM

ETIM 2.0	EC001434
ETIM 3.0	EC001604
ETIM 4.0	EC001604
ETIM 5.0	EC002780

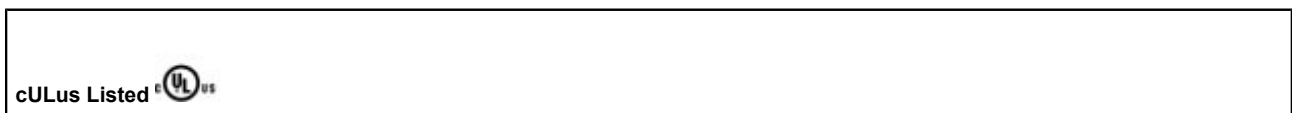
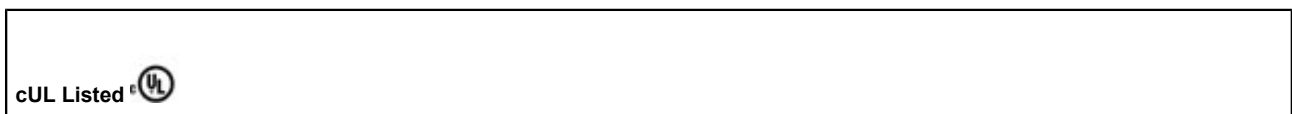
### UNSPSC

UNSPSC 6.01	30211824
UNSPSC 7.0901	39121421
UNSPSC 11	39121421
UNSPSC 12.01	39121421
UNSPSC 13.2	39121421

## approvals

UL Listed / cUL Listed / cULus Listed /

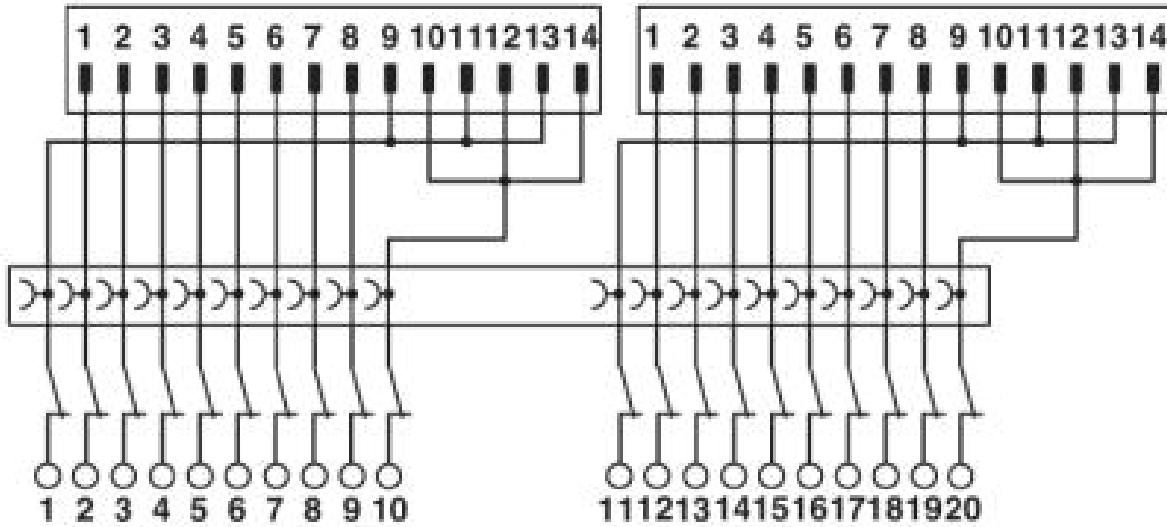
### Approval details



## Drawings

# Passive module - FLKM-2FLK14/KDS3-MT/PPA/S7 - 2295062

Circuit diagram



FLKM-2FLK14/KDS3-MT/PPA/S7 connection scheme

© Phoenix Contact 2014 - all rights reserved  
<http://www.phoenixcontact.com>