

Passive module - FLKM 14/KDS3-MT/PPA/PLC - 2290423

Please be informed that the data shown in this PDF Document is generated from our Online Catalog. Please find the complete data in the user's documentation. Our General Terms of Use for Downloads are valid (<http://download.phoenixcontact.com>)



VARIOFACE interface module, for 8 channels with knife disconnect terminal blocks and test sockets to the peripherals and the system

Product Features

- Byte-by-byte labeling
- Can be used for digital I/O modules



Key commercial data

| | |
|------------------|---------------|
| package_quantity | 1 |
| GTIN | 4017918058036 |

Technical data

Dimensions

| | |
|--------|-------|
| Width | 67 mm |
| Height | 77 mm |
| Depth | 61 mm |

Ambient conditions

| | |
|---|------------------|
| Ambient temperature (operation) | -20 °C ... 50 °C |
| Ambient temperature (storage/transport) | -20 °C ... 70 °C |

General

| | |
|---|--------------------------|
| Nominal voltage U_N | 60 V DC |
| Max. current carrying capacity per branch | 1 A |
| Max. total current of voltage supply | 3 A |
| Number of positions | 14 |
| Status display | No |
| Test voltage | 500 V AC (50 Hz, 1 min.) |
| Mounting position | any |
| Standards/regulations | IEC 60664 |
| Standards/regulations | DIN EN 50178 |
| Standards/regulations | IEC 62103 |
| Pollution degree | 2 |

Passive module - FLKM 14/KDS3-MT/PPA/PLC - 2290423

Technical data

General

| | |
|-------------------------------|--------|
| Surge voltage category | II |
| Rated surge voltage | 0.8 kV |

Connection data for connection 1

| | |
|---|--|
| Connection name | Field level |
| Connection method | Screw connection with disconnect knife |
| Number of positions | 12 |
| Conductor cross section solid min. | 0.2 mm ² |
| Conductor cross section solid max. | 4 mm ² |
| Conductor cross section stranded min. | 0.2 mm ² |
| Conductor cross section stranded max. | 2.5 mm ² |
| Conductor cross section AWG/kcmil min. | 24 |
| Conductor cross section AWG/kcmil max | 12 |
| Stripping length | 8 mm |
| Screw thread | M3 |

Connection data for connection 2

| | |
|------------------------------|-----------------------------|
| Connection name | Control system level |
| Number of connections | 1 |
| Connection method | IDC/FLK pin strip (2.54 mm) |
| Number of positions | 14 |

Supported controller

| | |
|---------------------|----------------------------|
| Controller | SIEMENS S7-400 |
| - suitable I/O card | 6ES7 421-1BL01-0AA0 |
| - suitable I/O card | 6ES7 422-1BL00-0AA0 |
| - suitable I/O card | 6ES7 422-7BL00-0AB0 |
| Controller | GE-FANUC 90-30 |
| - suitable I/O card | IC693 MDL241 |
| - suitable I/O card | IC693 MDL634 |
| - suitable I/O card | IC693 MDL645 |
| - suitable I/O card | IC693 MDL646 |
| - suitable I/O card | IC693 MDL732 |
| - suitable I/O card | IC693 MDL733 |
| - suitable I/O card | IC693 MDL740 |
| - suitable I/O card | IC693 MDL741 |
| - suitable I/O card | IC693 MDL742 |
| Controller | ALLEN-BRADLEY ControlLogix |
| - suitable I/O card | 1756-IB32 |
| - suitable I/O card | 1756-OB32 |
| - suitable I/O card | 1756-IN16 |
| - suitable I/O card | 1756-IB16 |
| - suitable I/O card | 1756-IC16 |

Passive module - FLKM 14/KDS3-MT/PPA/PLC - 2290423

Technical data

Supported controller

| | |
|---------------------|--|
| - suitable I/O card | 1756-OB16E |
| Controller | ALLEN-BRADLEY PLC 5 |
| - suitable I/O card | 1771 IBN |
| - suitable I/O card | 1771 OBN |
| Controller | ALLEN-BRADLEY SLC 500 |
| - suitable I/O card | 1746 OB16 |
| - suitable I/O card | 1746 OV16 |
| - suitable I/O card | 1746 OG16 |
| - suitable I/O card | 1746 IA16 |
| - suitable I/O card | 1746 ITB16 |
| - suitable I/O card | 1746 IN16 |
| - suitable I/O card | 1746 IV16 |
| - suitable I/O card | 1746 ITV16 |
| - suitable I/O card | 1746 IG16 |
| - suitable I/O card | 1746 OB 32 |
| - suitable I/O card | 1746 OV 32 |
| - suitable I/O card | 1746 IB 32 |
| - suitable I/O card | 1746 IV 32 |
| - suitable I/O card | 1746 IB16 |
| Controller | HONEYWELL PlantScape |
| - suitable I/O card | TC-IDD 321 |
| - suitable I/O card | TC-ODD 321 |
| Controller | MITSUBISHI MELSEC Q |
| - suitable I/O card | QX81 |
| - suitable I/O card | QY81P |
| - suitable I/O card | QX41 |
| - suitable I/O card | QX41-S1 |
| - suitable I/O card | QX42 |
| - suitable I/O card | QX42-S1 |
| - suitable I/O card | QX71 |
| - suitable I/O card | QX72 |
| - suitable I/O card | QY41P |
| - suitable I/O card | QY42P |
| - suitable I/O card | QY71 |
| - suitable I/O card | QH42P |
| - suitable I/O card | QX82 |
| - suitable I/O card | QX82-S1 |
| Controller | Schneider Electric MODICON TSX QUANTUM |
| - suitable I/O card | DDI 353 |
| - suitable I/O card | DDI 853 |
| - suitable I/O card | DAI 353 |

Passive module - FLKM 14/KDS3-MT/PPA/PLC - 2290423

Technical data

Supported controller

| | |
|---------------------|---------------------------|
| - suitable I/O card | DAI 453 |
| - suitable I/O card | DDO 353 |
| Controller | SIEMENS S7-300 / ET 200 M |
| - suitable I/O card | CPU 313C-2DP |
| - suitable I/O card | CPU 314C-2DP |
| - suitable I/O card | CPU 314C-2PtP |
| - suitable I/O card | 6ES7 321-1BH02-0AA0 |
| - suitable I/O card | 6ES7 321-1BL00-0AA0 |
| - suitable I/O card | 6ES7 322-1BH01-0AA0 |
| - suitable I/O card | 6ES7 322-1BL00-0AA0 |
| - suitable I/O card | 6ES7 323-1BH01-0AA0 |
| - suitable I/O card | 6ES7 323-1BL00-0AA0 |
| - suitable I/O card | 6ES7 321-1BH10-0AA0 |
| - suitable I/O card | 6ES7 322-1BH10-0AA0 |
| - suitable I/O card | CPU 313C |
| - suitable I/O card | CPU 313C-2PtP |
| Controller | ABB S800 I/O |
| - suitable I/O card | DI810 |
| - suitable I/O card | DI811 |
| - suitable I/O card | DI814 |
| - suitable I/O card | DI830 |
| - suitable I/O card | DI831 |
| - suitable I/O card | DI840 |
| - suitable I/O card | DO810 |
| - suitable I/O card | DO814 |
| - suitable I/O card | DO840 |
| Controller | GE-FANUC RX3i |
| - suitable I/O card | IC694MDL754 |
| - suitable I/O card | IC694MDL660 |
| Controller | MITSUBISHI MELSEC L |
| - suitable I/O card | LX41C4 |
| - suitable I/O card | LX42C4 |
| - suitable I/O card | LY41NT1P |
| - suitable I/O card | LY42NT1P |
| - suitable I/O card | LY41PT1P |
| - suitable I/O card | LY42PT1P |

classifications

eCl@ss

| | |
|------------|----------|
| eCl@ss 4.0 | 27250313 |
|------------|----------|

Passive module - FLKM 14/KDS3-MT/PPA/PLC - 2290423

classifications

eCl@ss

| | |
|------------|----------|
| eCl@ss 4.1 | 27250313 |
| eCl@ss 5.0 | 27250313 |
| eCl@ss 5.1 | 27250313 |
| eCl@ss 6.0 | 27371601 |
| eCl@ss 7.0 | 27371601 |
| eCl@ss 8.0 | 27371601 |

ETIM

| | |
|----------|----------|
| ETIM 2.0 | EC001437 |
| ETIM 3.0 | EC001437 |
| ETIM 4.0 | EC001437 |
| ETIM 5.0 | EC001437 |

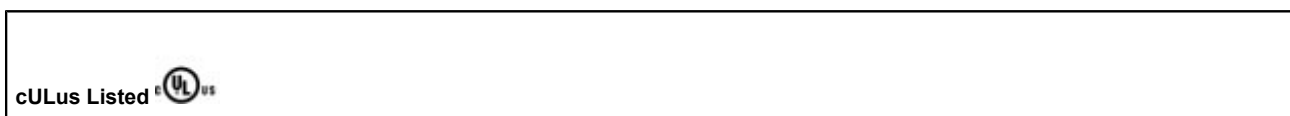
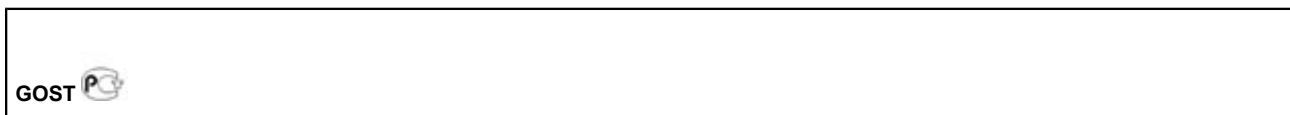
UNSPSC

| | |
|---------------|----------|
| UNSPSC 6.01 | 30211824 |
| UNSPSC 7.0901 | 39121421 |
| UNSPSC 11 | 39121421 |
| UNSPSC 12.01 | 39121421 |
| UNSPSC 13.2 | 39121421 |

approvals

UL Listed / GOST / cUL Listed / cULus Listed /

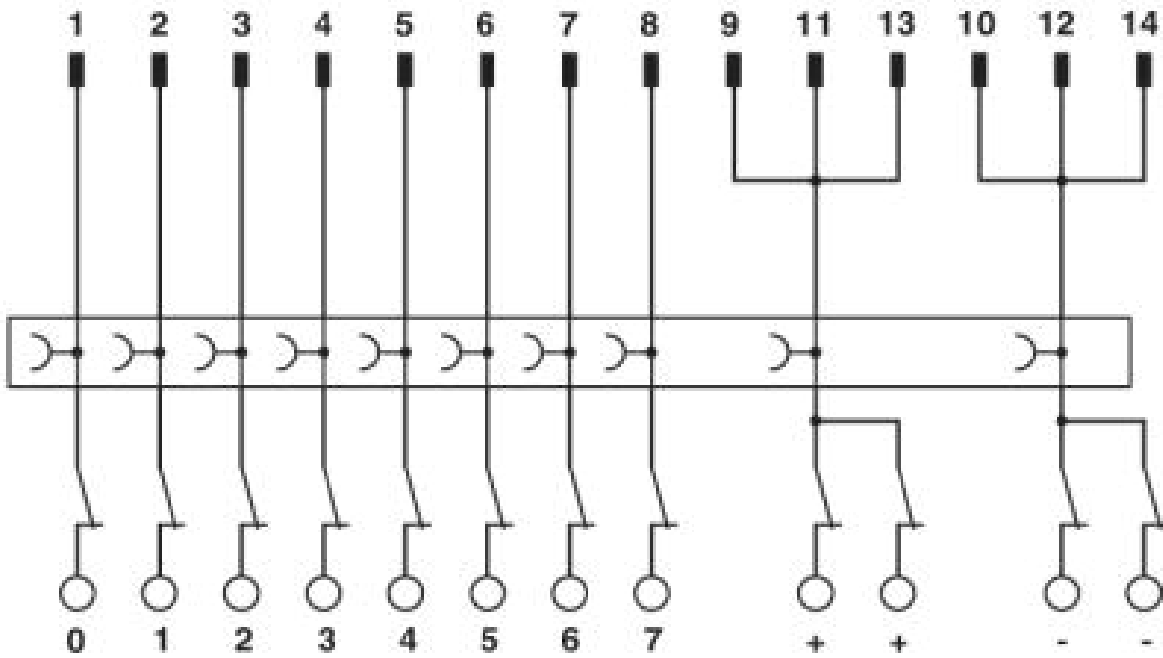
Approval details



Drawings

Passive module - FLKM 14/KDS3-MT/PPA/PLC - 2290423

Circuit diagram



FLKM 14/KDS3-MT/PPA/PLC connection scheme

© Phoenix Contact 2014 - all rights reserved
<http://www.phoenixcontact.com>