

# Connector - PV-CM-S 2,5-6 (-) - 1774687

Please be informed that the data shown in this PDF Document is generated from our Online Catalog. Please find the complete data in the user's documentation. Our General Terms of Use for Downloads are valid (<http://download.phoenixcontact.com>)



Photovoltaic connector, Nominal current: 40 A, Nom. voltage: 1100 V, Connection type: Spring-cage, Color: black, Can only be released using a tool

## Key commercial data

|                  |               |
|------------------|---------------|
| package_quantity | 50            |
| GTIN             | 4046356480192 |

## Technical data

### Dimensions

|                         |               |
|-------------------------|---------------|
| External cable diameter | 5 mm ... 8 mm |
|-------------------------|---------------|

### Ambient conditions

|  |                        |
|--|------------------------|
| Degree of protection (when plugged in) | IP66 / IP68 (2m / 24h) |
| Ambient temperature (operation)        | -40 °C ... 85 °C       |
| Ambient temperature (assembly)         | -25 °C ... 50 °C       |

### General

|   |                |
|---|----------------|
| Design                                      | Male connector |
| Tightening torque nut                       | 2 Nm ±0.1 Nm   |
| Insertion force                             | 45 N ±10 N     |
| Disconnect force                            | 250 N ±50 N    |
| Pull-out force of cable >= disconnect force | > 330 N        |

### General

|                         |        |
|-------------------------|--------|
| Rated voltage           | 1100 V |
| Rated current (2.5 mm²) | 27 A   |
| Rated current (4.0 mm²) | 40 A   |
| Rated current (6.0 mm²) | 40 A   |
| Protection class        | II     |

### Material

|   |       |
|---|-------|
| Color                                   | black |
| Insulating material                     | mPPE  |
| Contact material                        | Cu    |
| Contact surface material                | Ag    |
| Inflammability class according to UL 94 | V0    |

# Connector - PV-CM-S 2,5-6 (-) - 1774687

## Technical data

### Connection data

|  |   |
|--|---|
| <b>Connection method</b>                           | Spring-cage                               |
| <b>Connection capacity</b>                         | 2.5 mm <sup>2</sup> ... 6 mm <sup>2</sup> |
| <b>Contact resistance with connected conductor</b> | 0.45 mΩ                                   |
| <b>Stripping length</b>                            | 15 mm                                     |
| <b>Cable type</b>                                  | PV1-F cables                              |

## classifications

### eCl@ss

|                   |          |
|-------------------|----------|
| <b>eCl@ss 4.0</b> | 272607xx |
| <b>eCl@ss 4.1</b> | 27260701 |
| <b>eCl@ss 5.0</b> | 27260701 |
| <b>eCl@ss 5.1</b> | 27260701 |
| <b>eCl@ss 6.0</b> | 27260704 |
| <b>eCl@ss 7.0</b> | 27440402 |
| <b>eCl@ss 8.0</b> | 27440402 |

### ETIM

|                 |          |
|-----------------|----------|
| <b>ETIM 3.0</b> | EC001121 |
| <b>ETIM 4.0</b> | EC001753 |
| <b>ETIM 5.0</b> | EC002641 |

### UNSPSC

|                      |          |
|----------------------|----------|
| <b>UNSPSC 6.01</b>   | 30211810 |
| <b>UNSPSC 7.0901</b> | 39121409 |
| <b>UNSPSC 11</b>     | 39121409 |
| <b>UNSPSC 12.01</b>  | 39121409 |
| <b>UNSPSC 13.2</b>   | 39121409 |

## approvals


ETLus / VDE Zeichengenehmigung /

### Approval details

|                            |       |
|----------------------------|-------|
| <b>ETLus</b>               |       |
| Nominal voltage UN         | 600 V |
| Nominal current IN         | 15 A  |
| mm <sup>2</sup> /AWG/kcmil | 14    |

# Connector - PV-CM-S 2,5-6 (-) - 1774687

approvals

|   |        |
|---|--------|
| <b>VDE Zeichengenehmigung</b>  |        |
| Nominal voltage UN  | 1100 V |
| Nominal current IN  | 27 A   |
| mm <sup>2</sup> /AWG/kcmil  | 2.5    |

accessories

## Protective cap

PV-C PROTECTION CAP - 1785430



---

## Screwdriver tools

SZF 1-0,6X3,5 - 1204517



---

## Stripping tool

QUICK WIREFOX 6 SC - 1207637



---

WIREFOX-D SR 6-1 - 1212511



# Connector - PV-CM-S 2,5-6 (-) - 1774687

accessories

---

## Sealing plugs

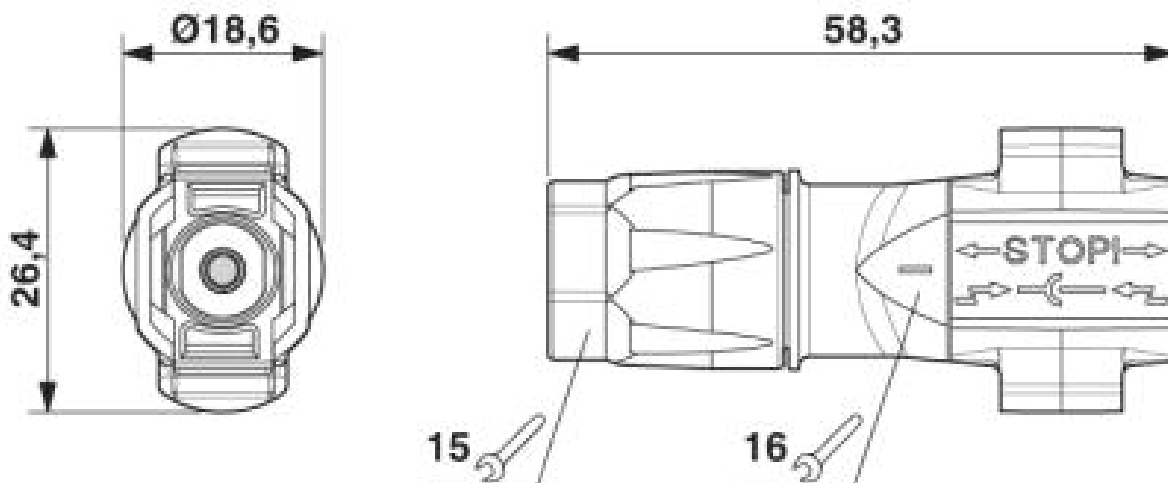
PV-C PLUG - 1775631



---

## Drawings

Dimensioned drawing



© Phoenix Contact 2014 - all rights reserved  
<http://www.phoenixcontact.com>