

## Connector - PV-CF-S 2,5-6 (+) - 1774674

Please be informed that the data shown in this PDF Document is generated from our Online Catalog. Please find the complete data in the user's documentation. Our General Terms of Use for Downloads are valid (<http://download.phoenixcontact.com>)



Photovoltaic connector, Nominal current: 40 A, Nom. voltage: 1100 V, Connection type: Spring-cage, Color: black, Can only be released using a tool

### Key commercial data

package_quantity	50
GTIN	4046356480208

### Technical data

#### Dimensions

External cable diameter	5 mm ... 8 mm
-------------------------	---------------

#### Ambient conditions

Degree of protection (when plugged in)	IP66 / IP68 (2m / 24h)
Ambient temperature (operation)	-40 °C ... 85 °C
Ambient temperature (assembly)	-25 °C ... 50 °C

#### General

Design	Socket
Tightening torque nut	2 Nm ±0.1 Nm
Insertion force	45 N ±10 N
Disconnect force	250 N ±50 N
Pull-out force of cable >= disconnect force	> 330 N

#### General

Rated voltage	1100 V
Rated current (2.5 mm <sup>2</sup> )	27 A
Rated current (4.0 mm <sup>2</sup> )	40 A
Rated current (6.0 mm <sup>2</sup> )	40 A
Protection class	II

#### Material

Color	black
Insulating material	mPPE
Contact material	Cu
Contact surface material	Ag
Inflammability class according to UL 94	V0

# Connector - PV-CF-S 2,5-6 (+) - 1774674

## Technical data

### Connection data

Connection method	Spring-cage
Connection capacity	2.5 mm <sup>2</sup> ... 6 mm <sup>2</sup>
Contact resistance with connected conductor	0.45 mΩ
Stripping length	15 mm
Cable type	PV1-F cables

## classifications

### eCl@ss

eCl@ss 4.0	272607xx
eCl@ss 4.1	27260701
eCl@ss 5.0	27260701
eCl@ss 5.1	27260701
eCl@ss 6.0	27260704
eCl@ss 7.0	27440402
eCl@ss 8.0	27440402

### ETIM

ETIM 3.0	EC001121
ETIM 4.0	EC001121
ETIM 5.0	EC002641

### UNSPSC

UNSPSC 6.01	30211810
UNSPSC 7.0901	39121409
UNSPSC 11	39121409
UNSPSC 12.01	39121409
UNSPSC 13.2	39121409

## approvals


ETLus / VDE Zeichengenehmigung /

### Approval details

<b>ETLus</b>	
Nominal voltage UN	600 V
Nominal current IN	15 A
mm <sup>2</sup> /AWG/kcmil	14

# Connector - PV-CF-S 2,5-6 (+) - 1774674

approvals

<b>VDE Zeichengenehmigung</b> 	
Nominal voltage UN	1100 V
Nominal current IN	27 A
mm <sup>2</sup> /AWG/kcmil	2.5

accessories

## Protective cap

PV-C PROTECTION CAP - 1785430



---

## Screwdriver tools

SZF 1-0,6X3,5 - 1204517



---

## Stripping tool

QUICK WIREFOX 6 SC - 1207637



---

WIREFOX-D SR 6-1 - 1212511



# Connector - PV-CF-S 2,5-6 (+) - 1774674

accessories

---

## Sealing plugs

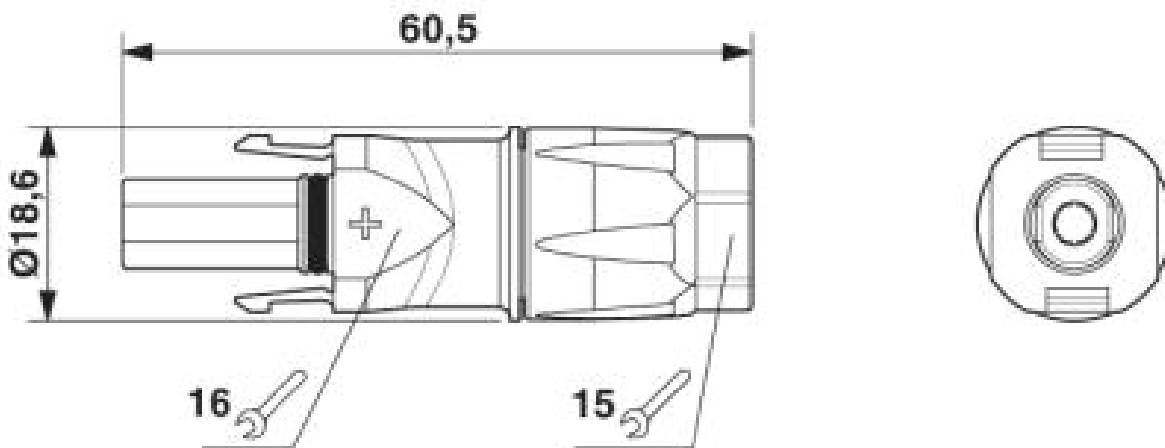
PV-C PLUG - 1775631



---

## Drawings

Dimensioned drawing



© Phoenix Contact 2014 - all rights reserved  
<http://www.phoenixcontact.com>