

Cable gland - HC-K-KV-M25(11-17) - 1690639

Please be informed that the data shown in this PDF Document is generated from our Online Catalog. Please find the complete data in the user's documentation. Our General Terms of Use for Downloads are valid (<http://download.phoenixcontact.com>)



Plastic screw connection up to 5 bar, thread length: 8 mm, cable diameter: 11 - 17 mm, WAF 29, screw connection: M25

The illustration shows version HC-K-KV-M20

Key commercial data

package_quantity	25
GTIN	4017918822682

Technical data

Dimensions

Wrench size, union nut	29 mm
Wrench size, support	29 mm
Length of the connecting thread	8 mm
External cable diameter	11 mm ... 17 mm

Ambient conditions

Degree of protection	IP68, to 5 bar
Degree of protection	IP68 (Up to 5 bar)
Ambient temperature (operation)	-20 °C ... 100 °C

General

Type of the screw connection	M25
Cable gland material	Polyamide
Seal material	Neoprene
Cable seal material	Neoprene
Shielded	No
Thread type on connection side	M25
Tightening torque, union nut	5.00 Nm
Inflammability class according to UL 94	V2
Color	silver gray

classifications

eCl@ss

eCl@ss 4.0	27141209
-------------------	----------

Cable gland - HC-K-KV-M25(11-17) - 1690639

classifications

eCl@ss

eCl@ss 4.1	27141209
eCl@ss 5.0	27149109
eCl@ss 5.1	27149109
eCl@ss 6.0	27149109
eCl@ss 7.0	27149109
eCl@ss 8.0	27149109

ETIM

ETIM 2.0	EC000441
ETIM 3.0	EC000441
ETIM 4.0	EC000441
ETIM 5.0	EC000441

UNSPSC

UNSPSC 6.01	31261502
UNSPSC 7.0901	31261502
UNSPSC 11	31261502
UNSPSC 12.01	31261502
UNSPSC 13.2	31261502

approvals

GOST /

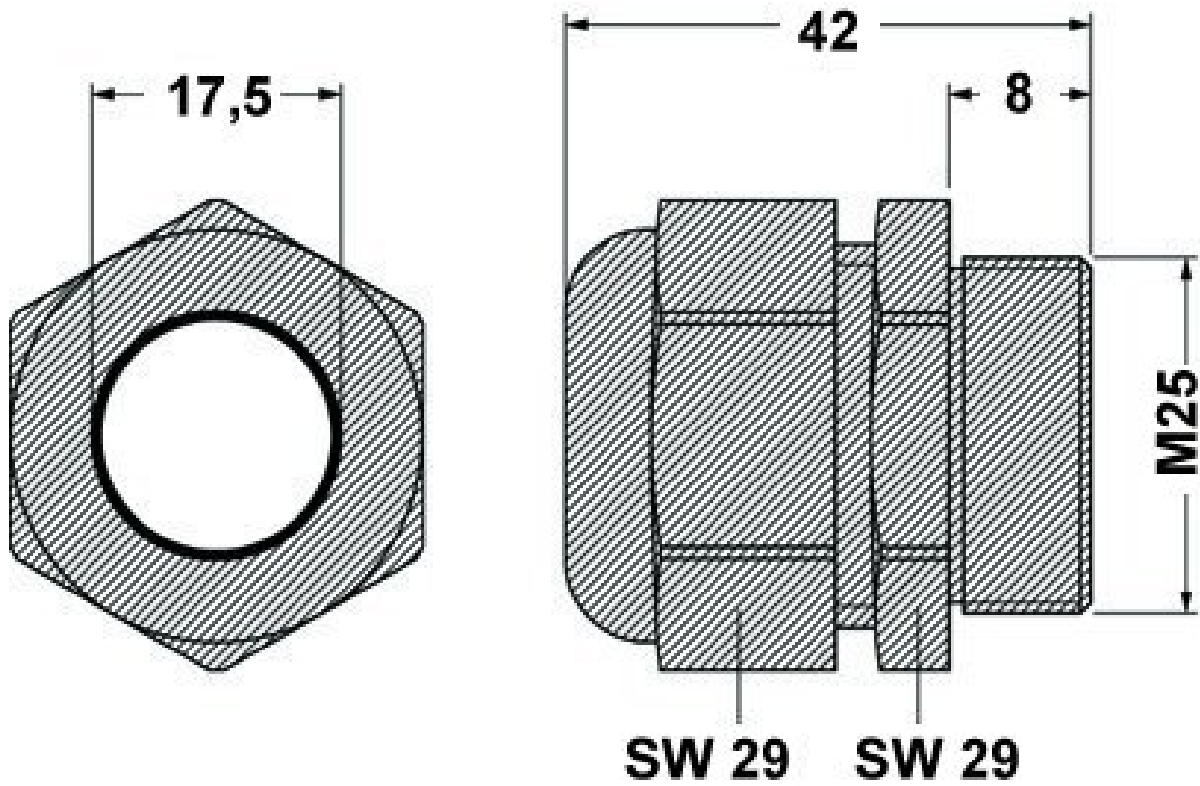
Approval details



Drawings

Cable gland - HC-K-KV-M25(11-17) - 1690639

Dimensioned drawing



© Phoenix Contact 2014 - all rights reserved
<http://www.phoenixcontact.com>