

RJ45 connector - VS-PN-RJ45-5-Q/IP20 - 1658435

Please be informed that the data shown in this PDF Document is generated from our Online Catalog. Please find the complete data in the user's documentation. Our General Terms of Use for Downloads are valid (<http://download.phoenixcontact.com>)



RJ45 connector, IP20, CAT5e, 4-pos., PROFINET with QUICKON fast connection technology, for 1-wire and 7-wire conductors AWG 22, for cable diameter 4.5 mm ... 8.0 mm, color: gray



Key commercial data

package_quantity	1
GTIN	4046356163118

Technical data

Mechanical characteristics

Number of positions	4
Connection profile	RJ45 8(4)
Shielded	Yes
Insertion/withdrawal cycles	≥ 1000
Connection method	IDC fast connection
Conductor cross section	0.32 mm ² ... 0.32 mm ² (solid)
Conductor cross section	0.36 mm ² ... 0.36 mm ² (stranded)
Connection cross section AWG	22 ... 22 (solid)
Connection cross section AWG	22 ... 22 (stranded)
External cable diameter	4.5 mm ... 8 mm
Cable exit	Straight
Color	gray

Ambient conditions

Ambient temperature (operation)	-10 °C ... 60 °C
Ambient temperature (storage/transport)	-40 °C ... 70 °C
Degree of protection	IP20

Material data

Inflammability class according to UL 94	V0
Housing material	PA
Contact carrier material	PC
Contact material	Copper alloy
Contact surface material	Gold over nickel

RJ45 connector - VS-PN-RJ45-5-Q/IP20 - 1658435

Technical data

Material data

Material	Plastic
-----------------	---------

Electrical characteristics

Number of positions	4
Transmission characteristics (category)	CAT5 (IEC 11801:2002), CAT5e (TIA 568B:2001)
Rated current	1.75 A
Surge voltage category	I
Pollution degree	1

classifications

eCl@ss

eCl@ss 4.0	272607xx
eCl@ss 4.1	27260701
eCl@ss 5.0	27260701
eCl@ss 5.1	27260701
eCl@ss 6.0	27260708
eCl@ss 7.0	27440312
eCl@ss 8.0	27440312

ETIM

ETIM 3.0	EC001121
ETIM 4.0	EC001121
ETIM 5.0	EC002641


UNSPSC

UNSPSC 6.01	31261501
UNSPSC 7.0901	31261501
UNSPSC 11	31261501
UNSPSC 12.01	31261501
UNSPSC 13.2	31261501

approvals

UL Recognized / cUL Recognized / cULus Recognized /

Approval details

UL Recognized 	
Nominal voltage UN	50 V

RJ45 connector - VS-PN-RJ45-5-Q/IP20 - 1658435

approvals

Nominal current I _N	1.75 A
mm ² /AWG/kcmil	22

cUL Recognized	
Nominal voltage U _N	50 V
Nominal current I _N	1.75 A
mm ² /AWG/kcmil	22

cULus Recognized	
-------------------------	--

accessories

Coding element

VS-08-RJ45-Q-COD-SET - 1656893



VS-08-RJ45-Q-COD-BU - 1658134



VS-08-RJ45-Q-COD-BN - 1658147



RJ45 connector - VS-PN-RJ45-5-Q/IP20 - 1658435

accessories

VS-08-RJ45-Q-COD-YE - 1658150



VS-08-RJ45-Q-COD-GY - 1658163



VS-08-RJ45-Q-COD-GN - 1658176



VS-08-RJ45-Q-COD-RD - 1658189



VS-08-RJ45-Q-COD-VT - 1658192



VS-08-RJ45-Q-COD-BK - 1658202

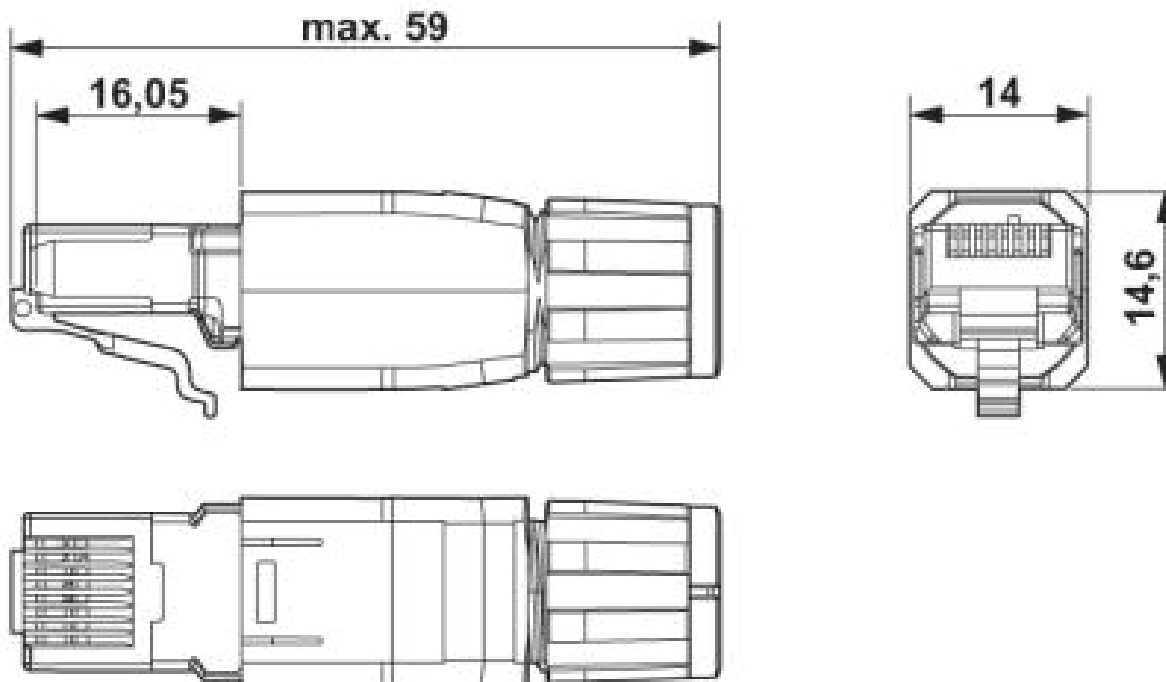


RJ45 connector - VS-PN-RJ45-5-Q/IP20 - 1658435

accessories

Drawings

Dimensioned drawing



RJ45 connector, IP20

© Phoenix Contact 2014 - all rights reserved
<http://www.phoenixcontact.com>