

Device connector, front mounting - ST-3EP1N8AAD00S - 1607673

Please be informed that the data shown in this PDF Document is generated from our Online Catalog. Please find the complete data in the user's documentation. Our General Terms of Use for Downloads are valid (<http://download.phoenixcontact.com>)



Device connector, front mounting, angled rotatable, SPEEDCON locking, M17, Number of positions: 3+PE, Type of contact: Male connector, Crimp connection, Axial O-ring, 4xØ2,7, shielded: Yes, Flange dimensions: 21.6 mm x 21.6 mm

Key commercial data

package_quantity	16
GTIN	4046356273800

Technical data

General

Note	Order information Order crimp contacts Ø 2 mm separately
Type of locking	SPEEDCON locking
Direction of rotation of contact chamber numbering	Standard
Coding	N
Contact connection method	Crimp connection
Type of contacts	Male connector
Number of positions	4
Contact diameter of power contacts	2 mm
Nominal current per power contact at 25°C	20 A
Contact diameter of signal contacts	2 mm
Mounting type	4xØ2,7

Ambient conditions

Ambient temperature	-20 °C ... 125 °C
Degree of protection	IP67

Material

Housing material	Turned parts: copper zinc alloy (CuZn), die-cast parts: zinc (GD-Zn)
Insulator material	PA 66
Gasket and O-ring material	FPM

Specifications according to DIN EN 61984:2001

Installation height max.	3000 m
Nominal / operating voltage of power contacts	630 V
Rated surge voltage of power contacts	6 kV
Surge voltage category of power contacts	III

Device connector, front mounting - ST-3EP1N8AAD00S - 1607673

Technical data

Specifications according to DIN EN 61984:2001

Pollution degree of power contacts	3
------------------------------------	---

classifications

eCl@ss

eCl@ss 4.0	272607xx
eCl@ss 4.1	27260701
eCl@ss 5.0	27143424
eCl@ss 5.1	27143424
eCl@ss 6.0	27143424
eCl@ss 7.0	27440209
eCl@ss 8.0	27440209

ETIM

ETIM 3.0	EC001121
ETIM 4.0	EC001121
ETIM 5.0	EC002635


UNSPSC


UNSPSC 6.01	43172015
UNSPSC 7.0901	43201404
UNSPSC 11	43172015
UNSPSC 12.01	43201404
UNSPSC 13.2	43201404

approvals

UL Recognized / cUL Recognized / cULus Recognized /

Approval details

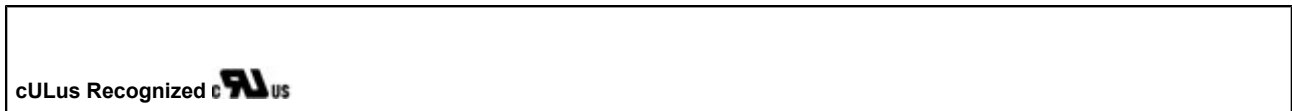
	
Nominal voltage UN	600 V
Nominal current IN	15 A
mm ² /AWG/kcmil	2.5

	
---	--

Device connector, front mounting - ST-3EP1N8AAD00S - 1607673

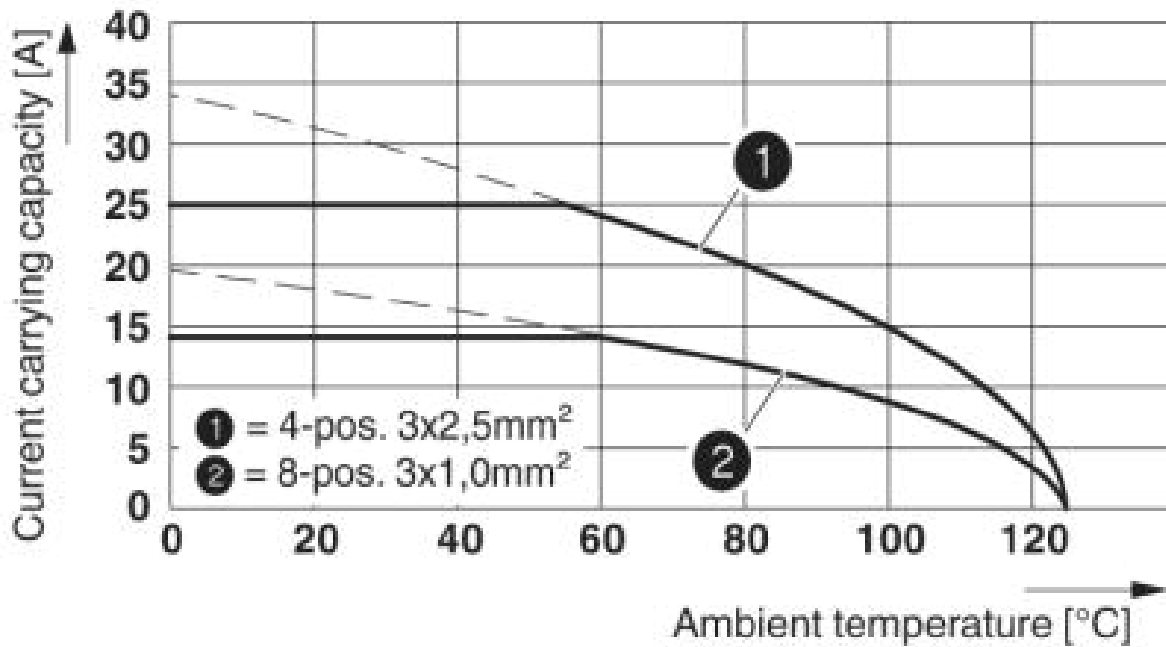
approvals

Nominal voltage UN	600 V
Nominal current IN	15 A
mm ² /AWG/kcmil	2.5



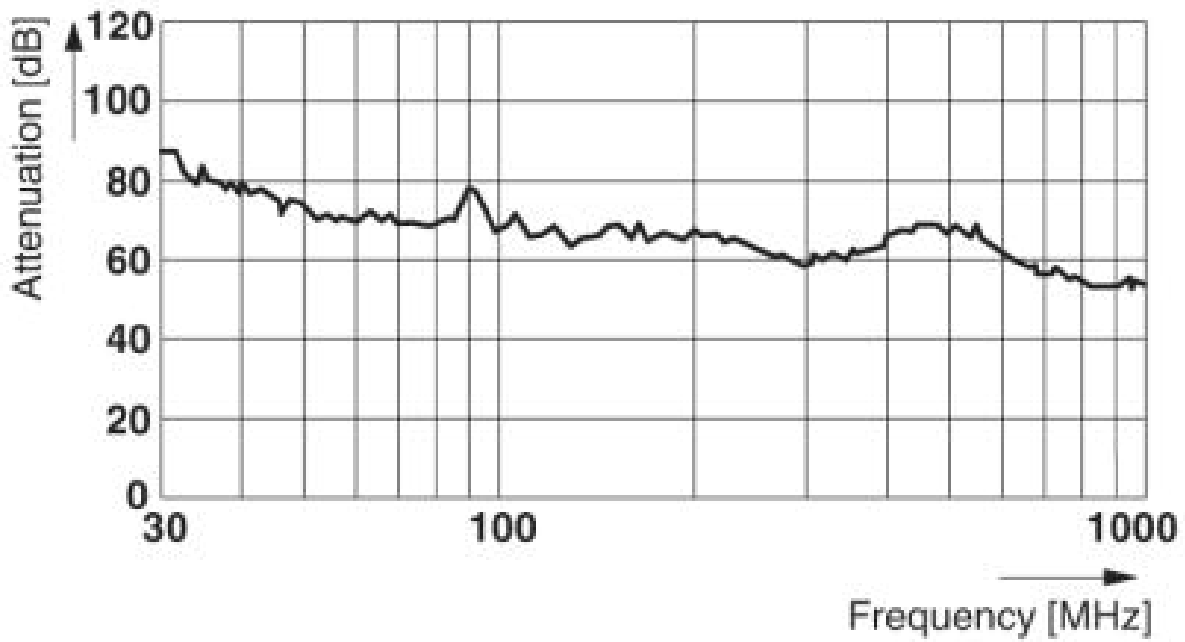
Drawings

Diagram



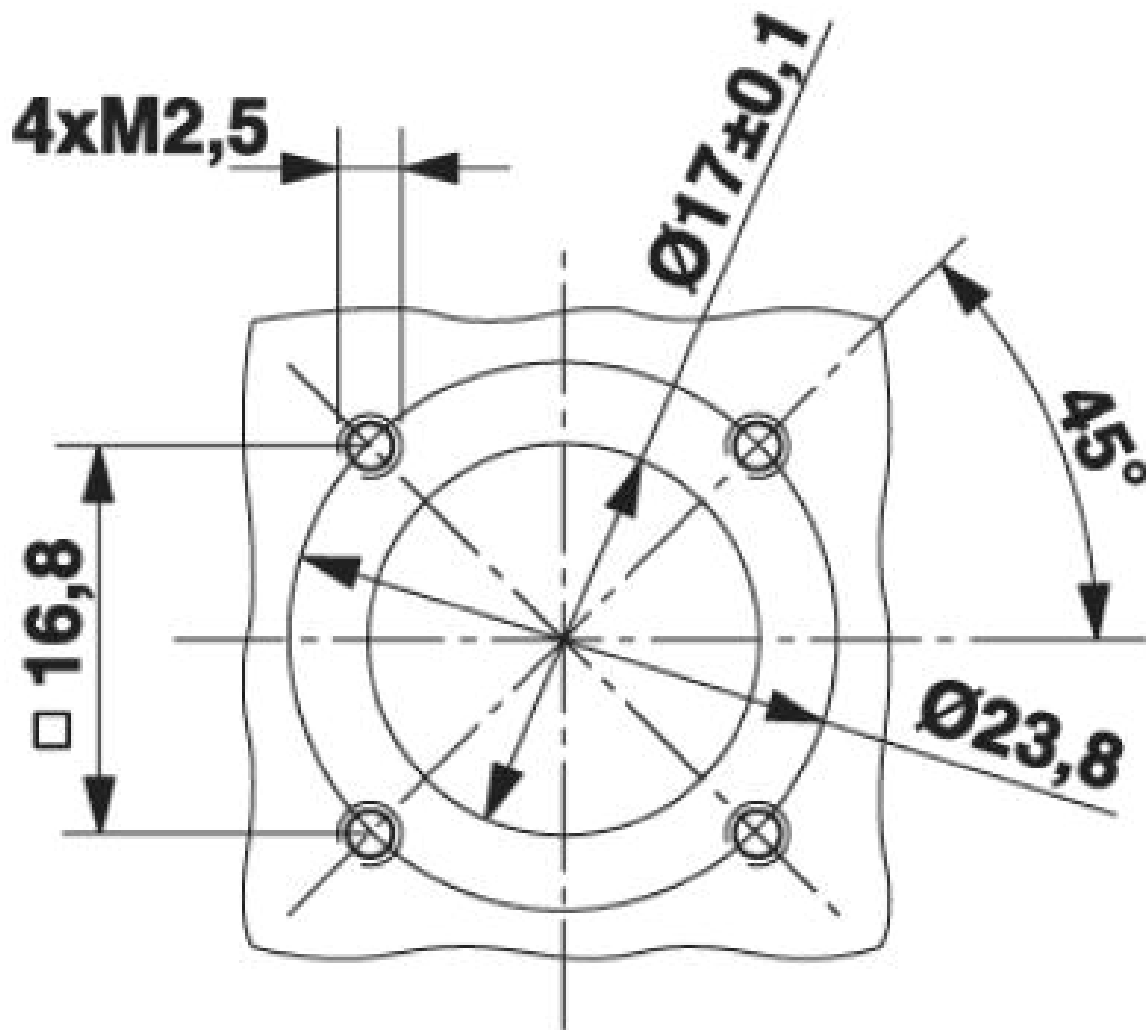
Device connector, front mounting - ST-3EP1N8AAD00S - 1607673

Diagram



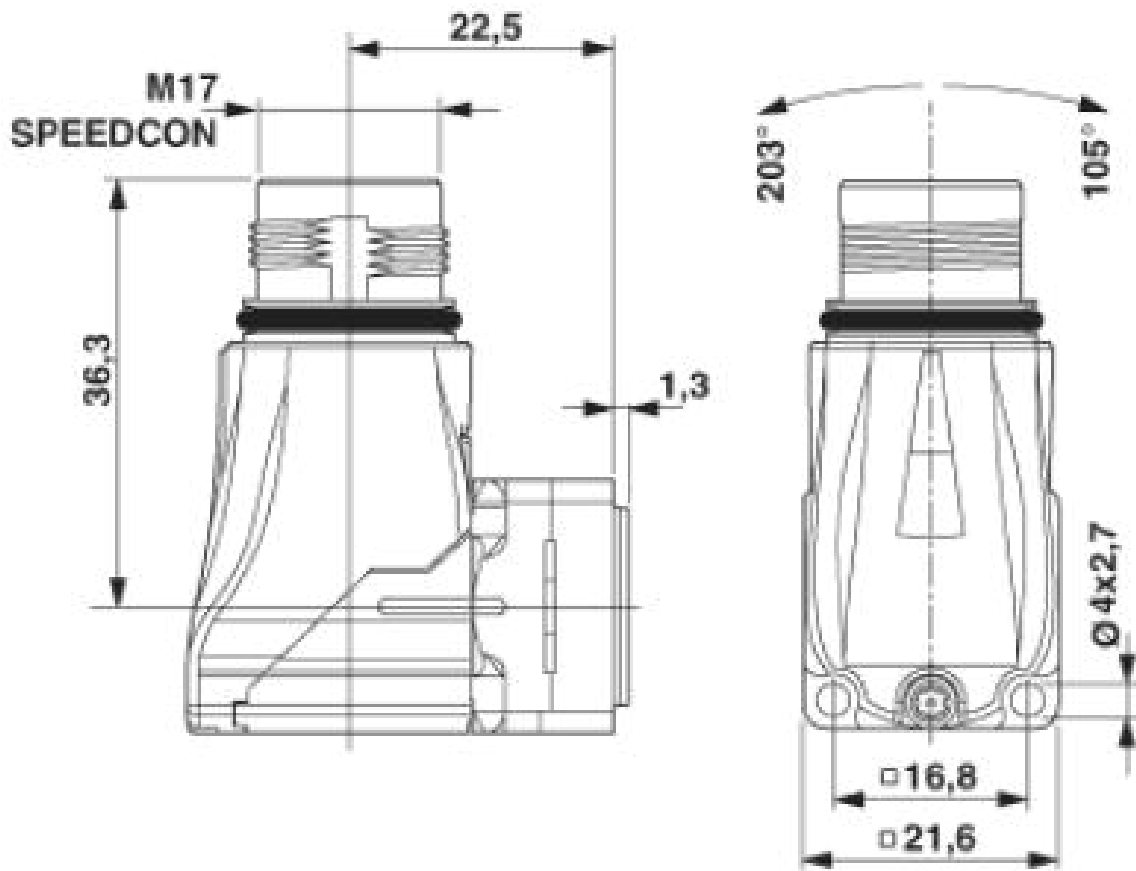
Device connector, front mounting - ST-3EP1N8AAD00S - 1607673

Dimensioned drawing



Device connector, front mounting - ST-3EP1N8AAD00S - 1607673

Dimensioned drawing



Device connector, front mounting - ST-3EP1N8AAD00S - 1607673

Schematic diagram

