

Device connector, front mounting - ST-17S1N8AAD00S - 1607652

Please be informed that the data shown in this PDF Document is generated from our Online Catalog. Please find the complete data in the user's documentation. Our General Terms of Use for Downloads are valid (<http://download.phoenixcontact.com>)



Device connector, front mounting, angled rotatable, SPEEDCON locking, M17, Number of positions: 17, Type of contact: Socket, Crimp connection, Axial O-ring, 4xØ2,7, shielded: Yes, Flange dimensions: 21.6 mm x 21.6 mm

Key commercial data

package_quantity	16
GTIN	4046356273602

Technical data

General

Note	Order information Order crimp contacts Ø 0.6 mm separately
Type of locking	SPEEDCON locking
Direction of rotation of contact chamber numbering	Standard
Coding	N
Contact connection method	Crimp connection
Type of contacts	Socket
Number of positions	17
Contact diameter of power contacts	0.6 mm
Nominal current per power contact at 25°C	3.6 A
Mounting type	4xØ2,7

Ambient conditions

Ambient temperature	-20 °C ... 125 °C
Degree of protection	IP67

Material

Housing material	Turned parts: copper zinc alloy (CuZn), die-cast parts: zinc (GD-Zn)
Insulator material	PA 66
Gasket and O-ring material	FPM

Specifications according to DIN EN 61984:2001

Installation height max.	3000 m
Nominal / operating voltage of power contacts	60 V
Rated surge voltage of power contacts	1.5 kV
Surge voltage category of power contacts	III
Pollution degree of power contacts	3

Device connector, front mounting - ST-17S1N8AAD00S - 1607652

Technical data

classifications

eCl@ss

eCl@ss 4.0	272607xx
eCl@ss 4.1	27260701
eCl@ss 5.0	27143424
eCl@ss 5.1	27143424
eCl@ss 6.0	27143424
eCl@ss 7.0	27440209
eCl@ss 8.0	27440209

ETIM

ETIM 3.0	EC001121
ETIM 4.0	EC001121
ETIM 5.0	EC002635


UNSPSC


UNSPSC 6.01	43172015
UNSPSC 7.0901	43201404
UNSPSC 11	43172015
UNSPSC 12.01	43201404
UNSPSC 13.2	43201404

approvals

UL Recognized / cUL Recognized / cULus Recognized /

Approval details

UL Recognized 	
Nominal voltage UN	60 V
Nominal current IN	1 A
mm ² /AWG/kcmil	0.14-0.6

cUL Recognized 	
Nominal voltage UN	60 V
Nominal current IN	1 A

Device connector, front mounting - ST-17S1N8AAD00S - 1607652

approvals

mm ² /AWG/kcmil	0.14-0.6
----------------------------	----------



accessories

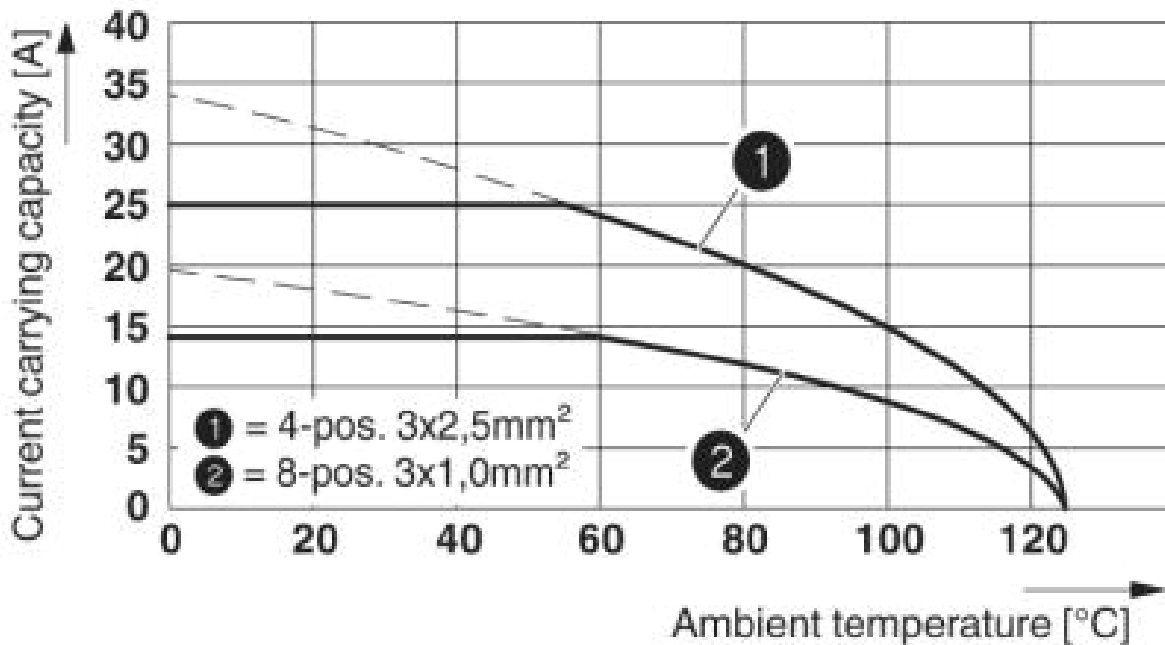
Mounting material

ST-Z0001 - 1607770



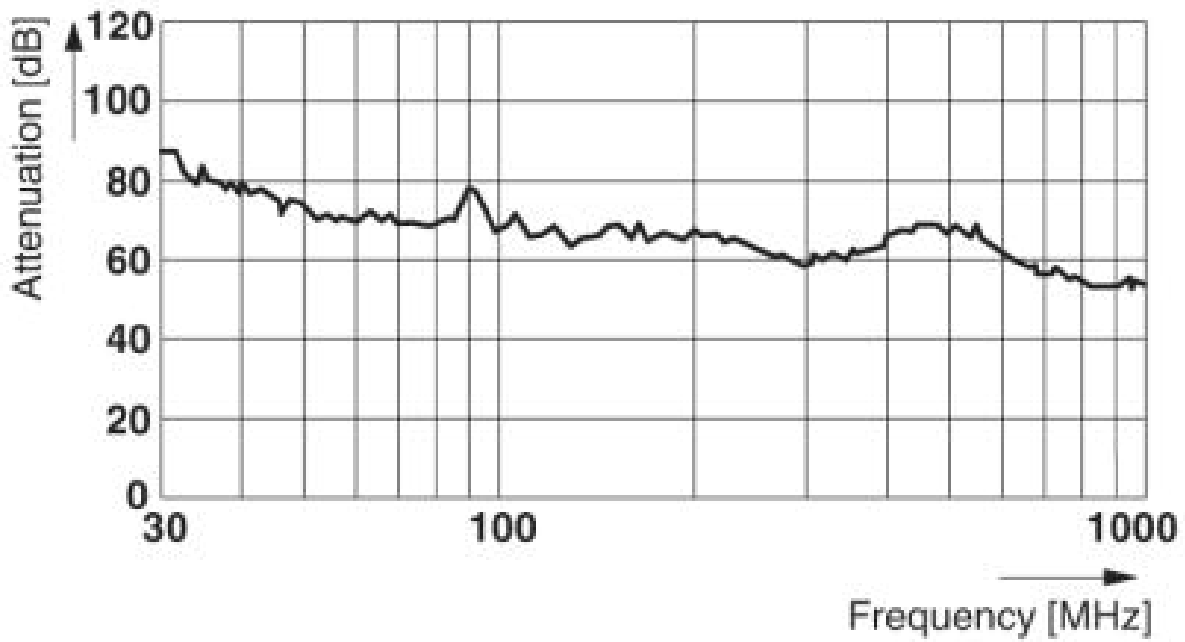
Drawings

Diagram



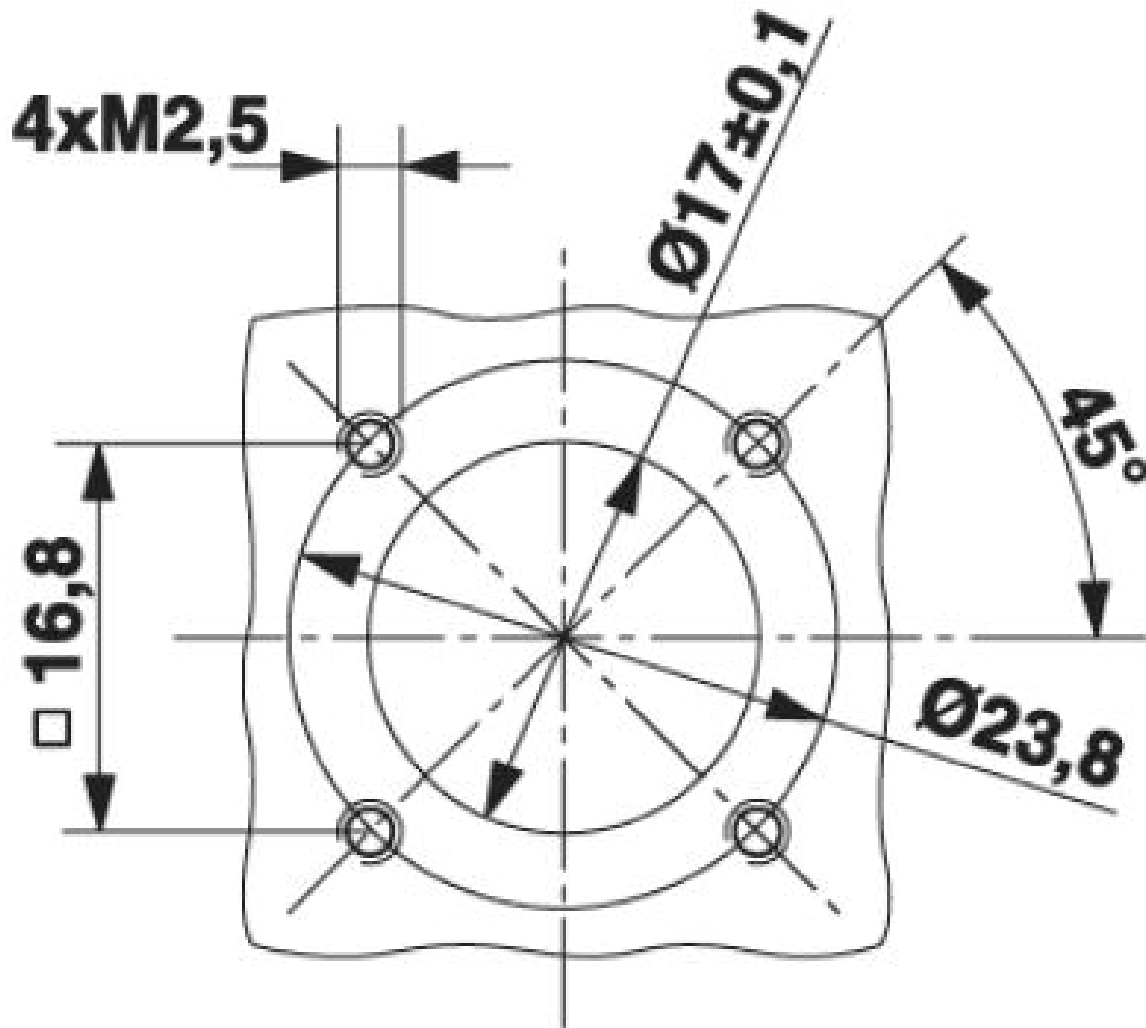
Device connector, front mounting - ST-17S1N8AAD00S - 1607652

Diagram



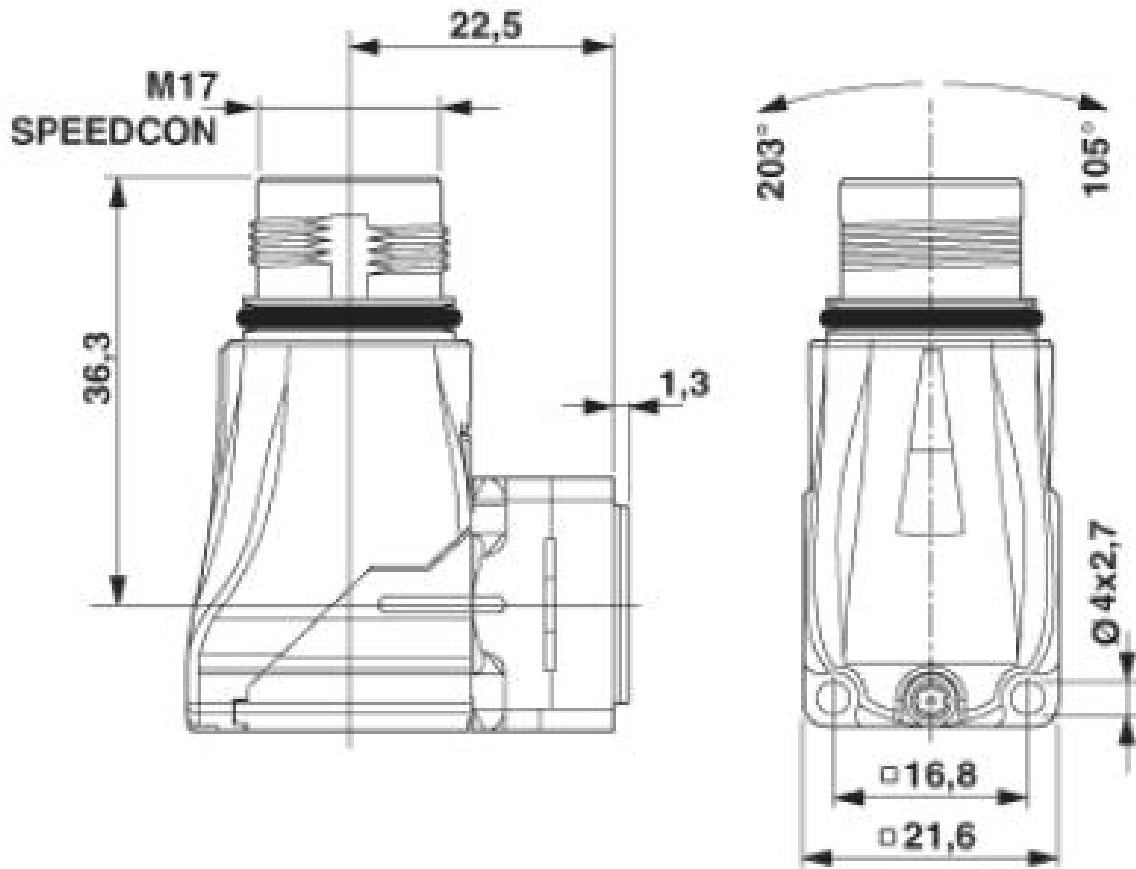
Device connector, front mounting - ST-17S1N8AAD00S - 1607652

Dimensioned drawing



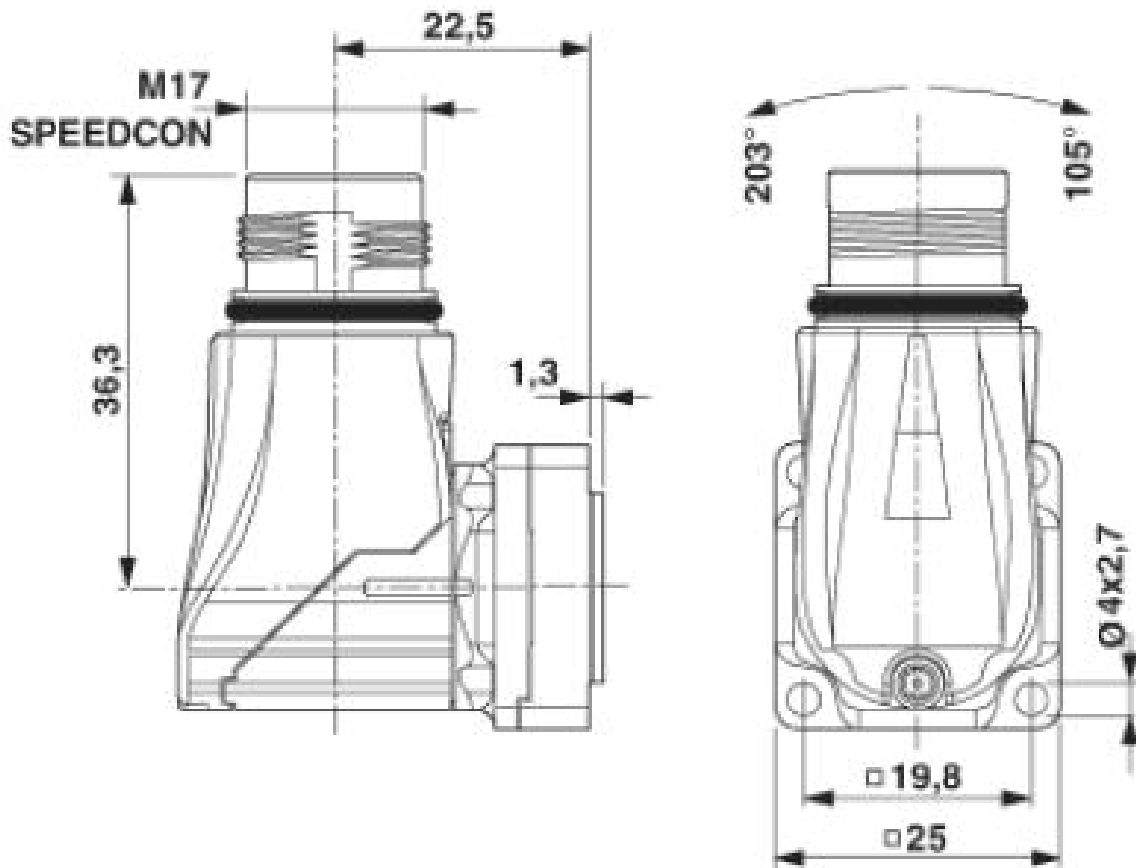
Device connector, front mounting - ST-17S1N8AAD00S - 1607652

Dimensioned drawing



Device connector, front mounting - ST-17S1N8AAD00S - 1607652

Dimensioned drawing



Device connector, front mounting - ST-17S1N8AAD00S - 1607652

Schematic diagram

