

Rear panel feed-through - RC-000000C0FZ - 1592790

Please be informed that the data shown in this PDF Document is generated from our Online Catalog. Please find the complete data in the user's documentation. Our General Terms of Use for Downloads are valid (<http://download.phoenixcontact.com>)



Rear panel feed-through, straight, Screw locking, M23, Flat gasket, 4xM2.5, shielded: Yes, Panel thickness max.: 2.5 mm, Cable diameter: 2 mm...10.5 mm

Key commercial data

package_quantity	20
GTIN	4046356192781

Technical data

General

Note	Order information Order contact inserts and cable clamping/shield accessories separately
Type of locking	Screw locking
Contact connection method	Crimp connection
Type of contacts	Socket, pin
Conductor entry	2 mm ... 10.5 mm
Mounting type	4xM2.5

Ambient conditions

Ambient temperature	-20 °C ... 125 °C
Degree of protection	IP67

Material

Housing material	Turned parts: copper zinc alloy (CuZn), die-cast parts: zinc (GD-Zn)
Gasket and O-ring material	FPM

Specifications according to DIN EN 61984:2001

Installation height max.	2000 m
--------------------------	--------

classifications

eCl@ss

eCl@ss 4.0	272607xx
eCl@ss 4.1	27260701
eCl@ss 5.0	27260701
eCl@ss 5.1	27260701

Rear panel feed-through - RC-0000000C0FZ - 1592790

classifications

eCl@ss

eCl@ss 6.0	27260708
eCl@ss 7.0	27440312
eCl@ss 8.0	27440312

ETIM

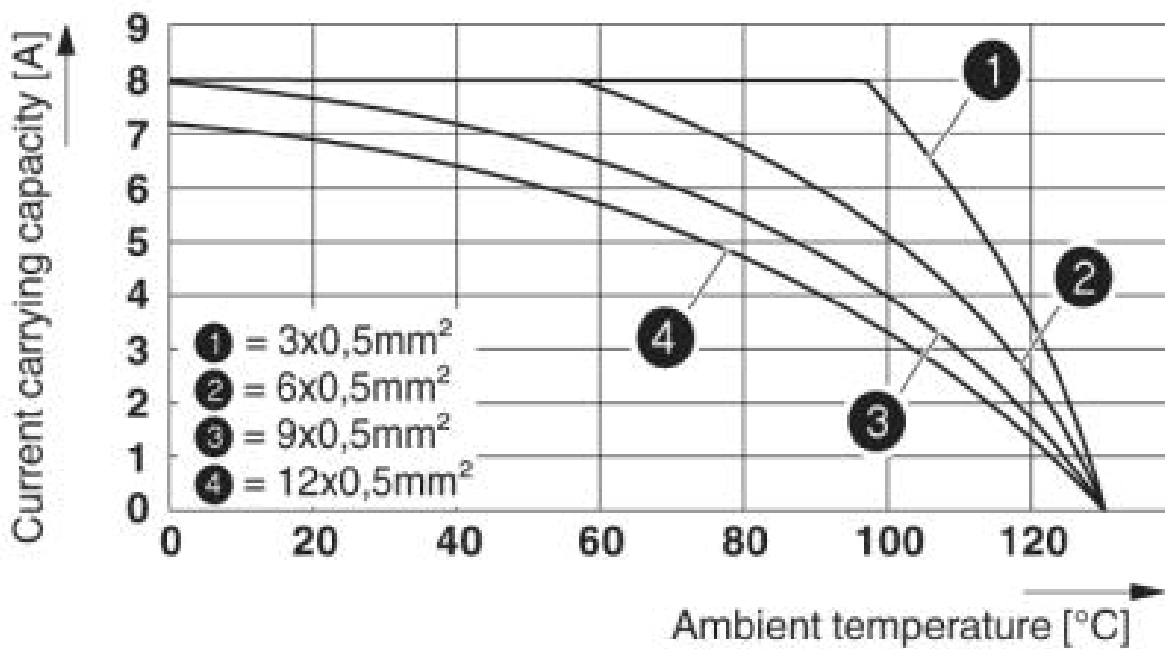
ETIM 3.0	EC001121
ETIM 4.0	EC001121
ETIM 5.0	EC002641

UNSPSC

UNSPSC 6.01	43172015
UNSPSC 7.0901	43201404
UNSPSC 11	43172015
UNSPSC 12.01	43201404
UNSPSC 13.2	43201404

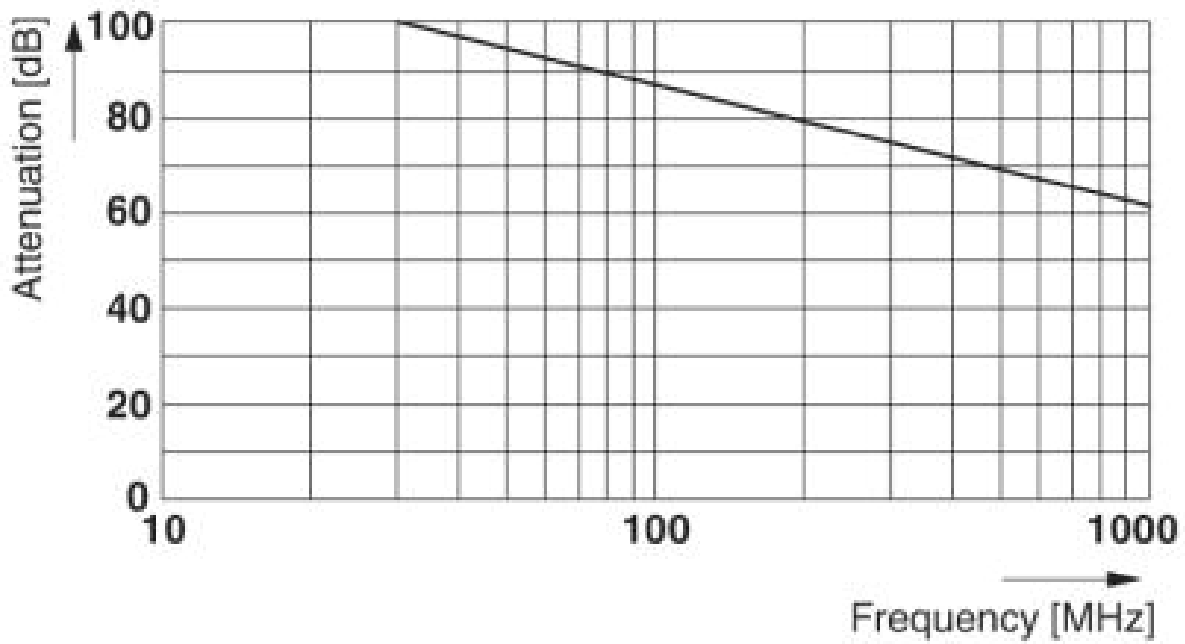
Drawings

Diagram

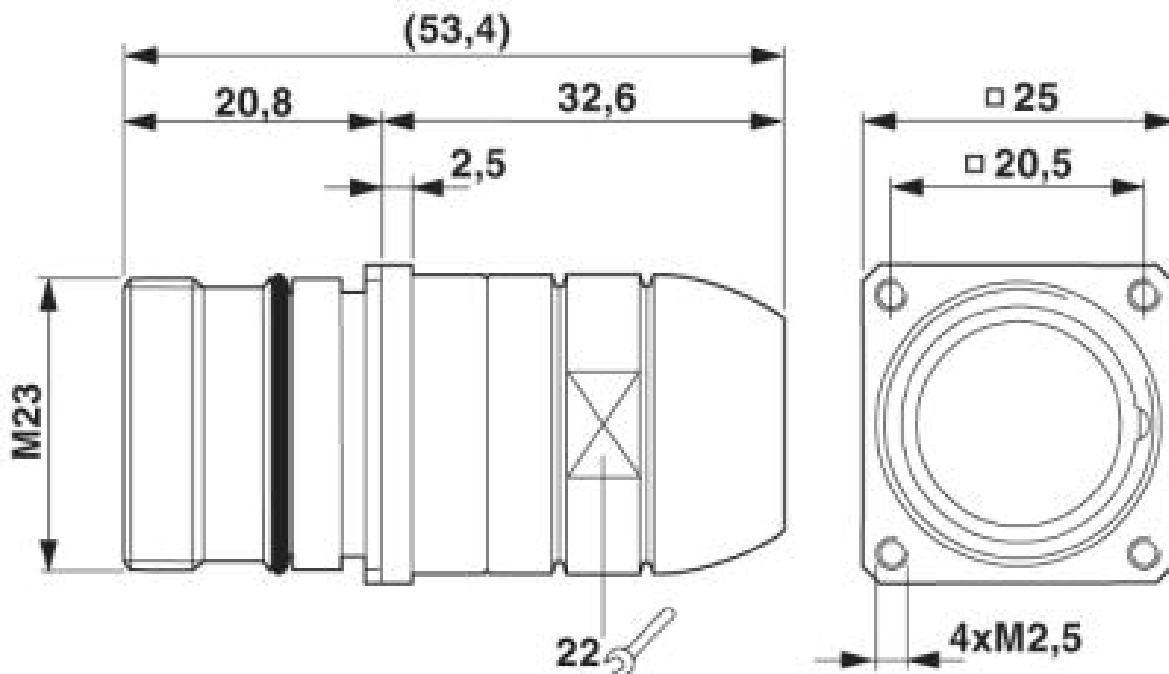


Rear panel feed-through - RC-0000000C0FZ - 1592790

Diagram



Dimensioned drawing



Rear panel feed-through - RC-0000000C0FZ - 1592790

Dimensioned drawing

