

Sleeve housing for cable connector - RC-000000080FZ - 1592680

Please be informed that the data shown in this PDF Document is generated from our Online Catalog. Please find the complete data in the user's documentation. Our General Terms of Use for Downloads are valid (<http://download.phoenixcontact.com>)



Sleeve housing for cable connector, straight, Screw locking, M23, shielded: Yes, Cable diameter: 2 mm...10.5 mm

Key commercial data

| | |
|-------------------------|---------------|
| package_quantity | 20 |
| GTIN | 4046356192194 |

Technical data

General

| | |
|----------------------------------|--|
| Note | Order information Order contact inserts and cable clamping/shield accessories separately |
| Type of locking | Screw locking |
| Contact connection method | Crimp connection |
| Type of contacts | Socket |
| Conductor entry | 2 mm ... 10.5 mm |

Ambient conditions

| | |
|-----------------------------|-------------------|
| Ambient temperature | -20 °C ... 125 °C |
| Degree of protection | IP67 |

Material

| | |
|-----------------------------------|--|
| Housing material | Turned parts: copper zinc alloy (CuZn), die-cast parts: zinc (GD-Zn) |
| Gasket and O-ring material | FPM |

Specifications according to DIN EN 61984:2001

| | |
|---------------------------------|--------|
| Installation height max. | 2000 m |
|---------------------------------|--------|

classifications

eCl@ss

| | |
|-------------------|----------|
| eCl@ss 4.0 | 272607xx |
| eCl@ss 4.1 | 27260701 |
| eCl@ss 5.0 | 27260701 |
| eCl@ss 5.1 | 27260701 |
| eCl@ss 6.0 | 27260703 |

Sleeve housing for cable connector - RC-000000080FZ - 1592680

classifications

eCl@ss

| | |
|------------|----------|
| eCl@ss 7.0 | 27440101 |
| eCl@ss 8.0 | 27440101 |

ETIM

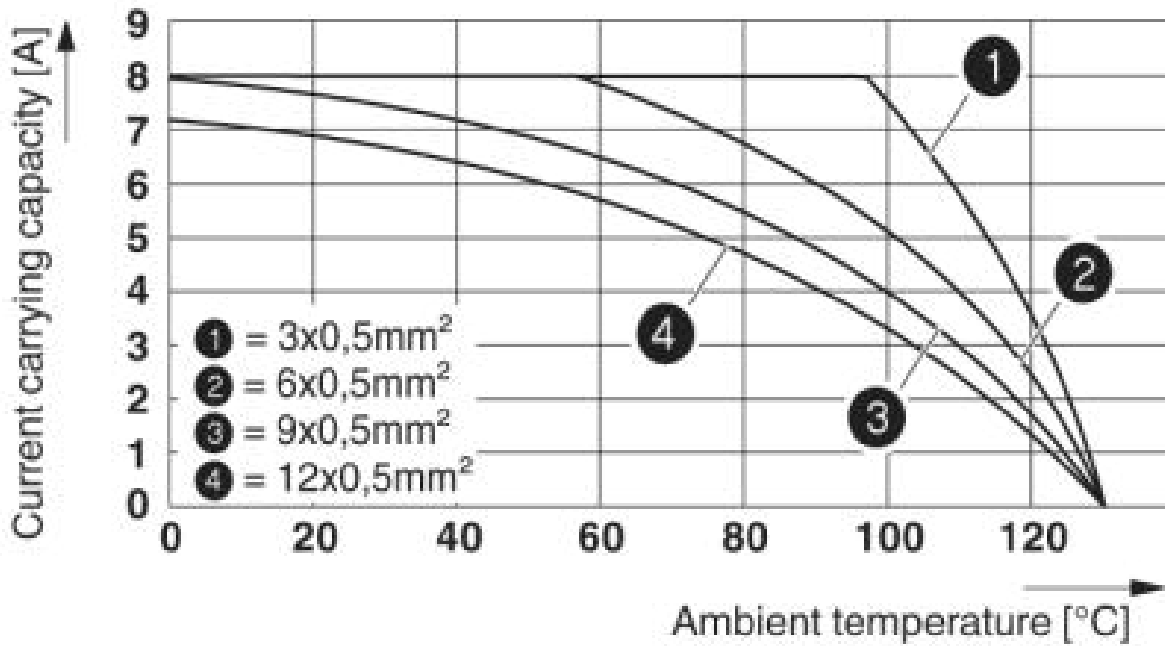
| | |
|----------|----------|
| ETIM 3.0 | EC001121 |
| ETIM 4.0 | EC000437 |
| ETIM 5.0 | EC000437 |

UNSPSC

| | |
|---------------|----------|
| UNSPSC 6.01 | 43172015 |
| UNSPSC 7.0901 | 43201404 |
| UNSPSC 11 | 43172015 |
| UNSPSC 12.01 | 43201404 |
| UNSPSC 13.2 | 43201404 |

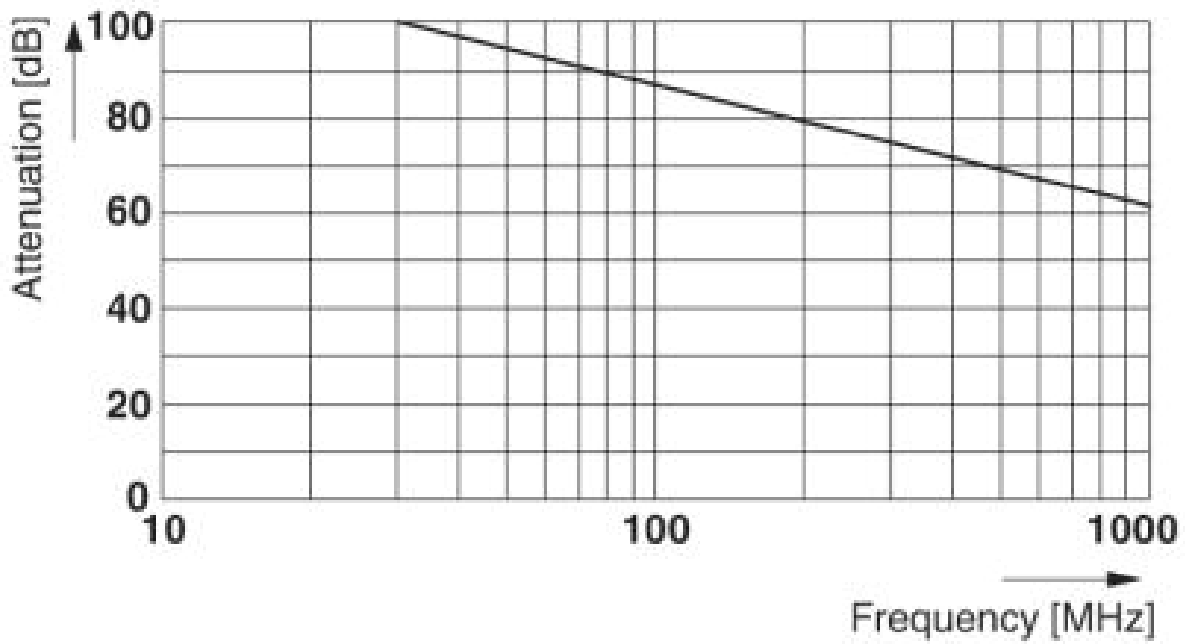
Drawings

Diagram



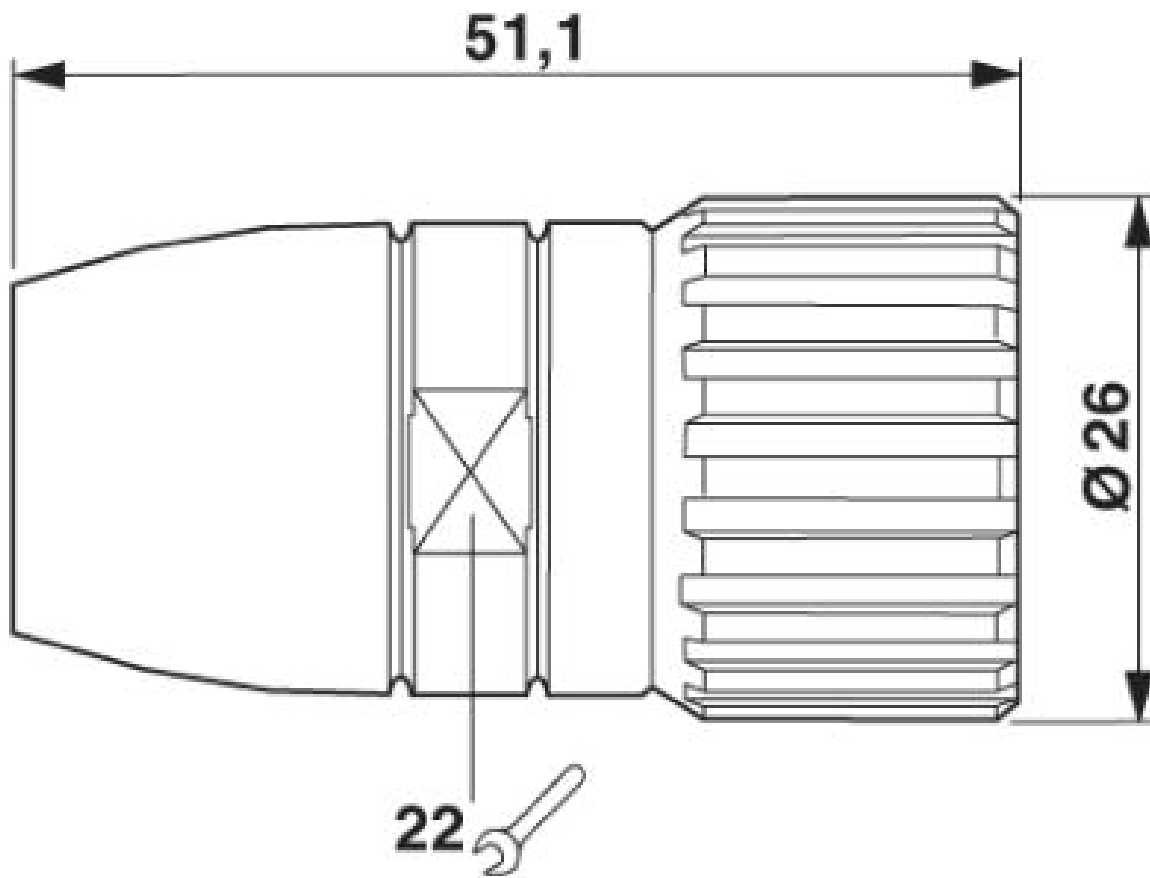
Sleeve housing for cable connector - RC-000000080FZ - 1592680

Diagram



Sleeve housing for cable connector - RC-000000080FZ - 1592680

Dimensioned drawing



© Phoenix Contact 2014 - all rights reserved
<http://www.phoenixcontact.com>