

Housing - VC-MP-T3-R - 1855555

Please be informed that the data shown in this PDF Document is generated from our Online Catalog. Please find the complete data in the user's documentation. Our General Terms of Use for Downloads are valid (<http://download.phoenixcontact.com>)



Metal sleeve housing, powder-coating, locking screws with knurled head, type 3, cable screw connection Pg21

Key commercial data

package_quantity	5
GTIN	4017918161538

Technical data

Dimensions

Height	75 mm
--------	-------

Ambient conditions

Degree of protection	IP65/IP66/IP67
Ambient temperature (operation)	-40 °C ... 125 °C

General

Note	When using fiber optics, the bending radii of the cable manufacturers must be observed.
Type	VC3
Degree of protection	IP65/IP66/IP67
Locking type	Screw locking, knurled head
Tightening torque, mounting screw	1 Nm ±0.5 Nm
Type of the screw connection	1x Pg21
Pg screw connection	none
Cable exit	Angled
Number of module slots	4
Housing material	Zinc die-cast
Housing surface material	Powder coating
Seal material	EPDM
Ambient temperature (operation)	-40 °C ... 125 °C

classifications

eCl@ss

eCl@ss 4.0	27140816
------------	----------

Housing - VC-MP-T3-R - 1855555

classifications

eCl@ss

eCl@ss 4.1	27140816
eCl@ss 5.0	27371205
eCl@ss 5.1	27371205
eCl@ss 6.0	27371205
eCl@ss 7.0	27371205
eCl@ss 8.0	27371205

ETIM

ETIM 2.0	EC000437
ETIM 3.0	EC000437
ETIM 4.0	EC000437
ETIM 5.0	EC000437

UNSPSC

UNSPSC 6.01	31261502
UNSPSC 7.0901	31261502
UNSPSC 11	31261502
UNSPSC 12.01	31261502
UNSPSC 13.2	31261502

accessories

Half screw connection

VC-M-KV-PG21(7-10,5) - 1853997



VC-M-KV-PG21(9-13) - 1854006



Housing - VC-MP-T3-R - 1855555

accessories

VC-M-KV-PG21(11,5-15,5) - 1854035



VC-M-KV-PG21(14-18) - 1854048



VC-M-KV-PG21(17-20,5) - 1854051



VC-M-KV-PG21(20X 7) - 1885305



Multiple screw connection

VC-M-KV-PG21 1X6/2X9 - 1885619



Housing - VC-MP-T3-R - 1855555

accessories

VC-M-KV-PG21- 1X8,5/1X12 - 1854970



VC-M-KV-PG21 2X6/2X8 - 1885635



VC-M-KV-PG21 2X7,2/1X10,5 - 1885648



VC-M-KV-PG21 3X7 - 1885651



VC-M-KV-PG21 3X9 - 1885664



VC-M-KV-PG21 4X6,5 - 1885677



Housing - VC-MP-T3-R - 1855555

accessories

VC-M-KV-PG21 4X8 - 1885680



accessories

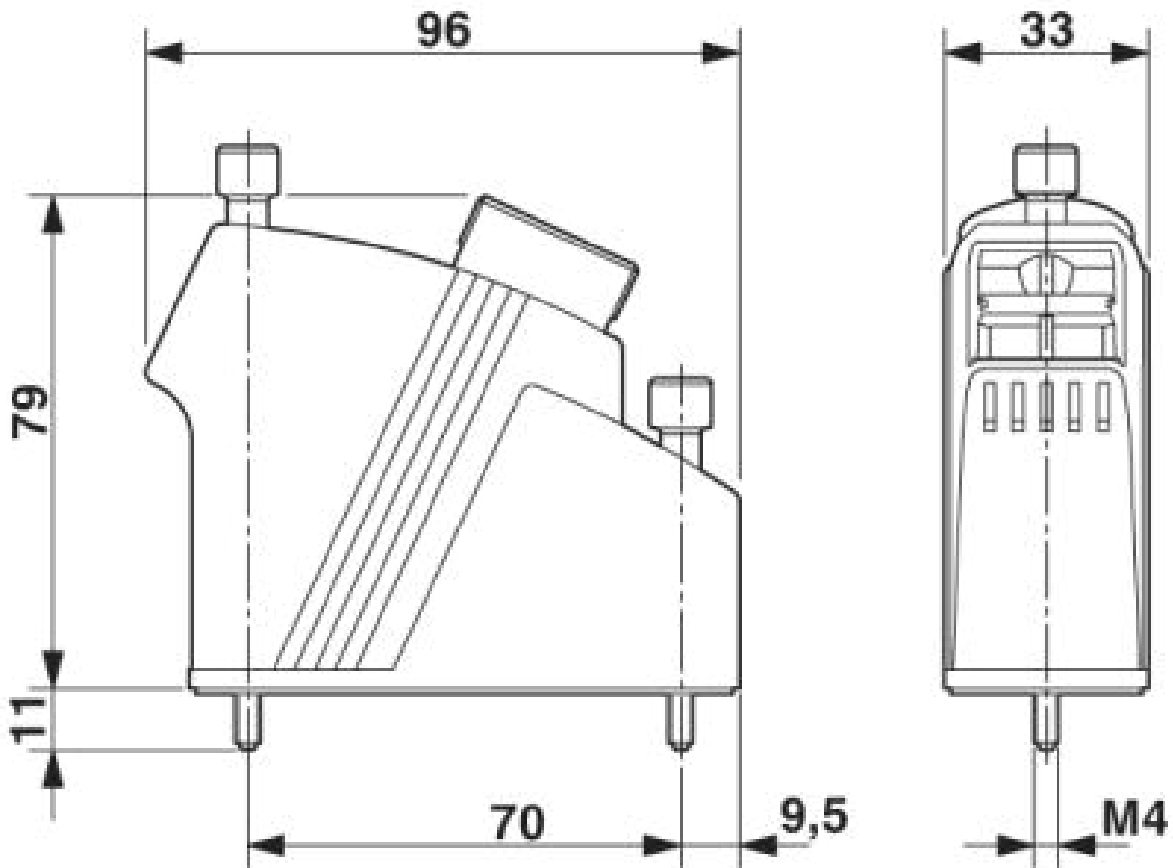
VC-BZS WH - 1852875



Drawings

Housing - VC-MP-T3-R - 185555

Dimensioned drawing



© Phoenix Contact 2014 - all rights reserved
<http://www.phoenixcontact.com>