

Housing - HC-B 16-AMLD - 1771613

Please be informed that the data shown in this PDF Document is generated from our Online Catalog. Please find the complete data in the user's documentation. Our General Terms of Use for Downloads are valid (<http://download.phoenixcontact.com>)



HEAVYCON B16 panel mounting base, with single locking latch, height: 29 mm, with plastic cover, with flat gasket

Key commercial data

package_quantity	10
GTIN	4017918036331

Technical data

Dimensions

Height	29 mm
Width	43 mm
Length	114 mm
Length of the assembly cutout	86 mm
Width of the assembly cutout	35 mm

Ambient conditions

Degree of protection of housing (IP)	IP65 (When plugged in)
Ambient temperature (operation)	-40 °C ... 125 °C

General

Note	For contact inserts HC-B16, BB32, D40, DD72, HS6, M, K
Type	B16
Housing type	Panel mounting base
Locking type	With single locking latch
Torque	1.5 Nm ... 2 Nm (Mounting screw)
Screw connection	none
Protective cover	Yes
Housing material	Aluminum die-cast
Housing surface material	Powder-coated, gray
Material lock	Stainless steel, handle: PA
Material grip body interlock	PA
Material, protective cover	PA

Housing - HC-B 16-AMLD - 1771613

classifications

eCl@ss

eCl@ss 4.0	27140816
eCl@ss 4.1	27140816
eCl@ss 5.0	27143424
eCl@ss 5.1	27143424
eCl@ss 6.0	27143424
eCl@ss 7.0	27440209
eCl@ss 8.0	27440209

ETIM

ETIM 2.0	EC000437
ETIM 3.0	EC000437
ETIM 4.0	EC000437
ETIM 5.0	EC000437

UNSPSC

UNSPSC 6.01	31261502
UNSPSC 7.0901	31261502
UNSPSC 11	31261502
UNSPSC 12.01	31261502
UNSPSC 13.2	31261502

approvals

GOST /

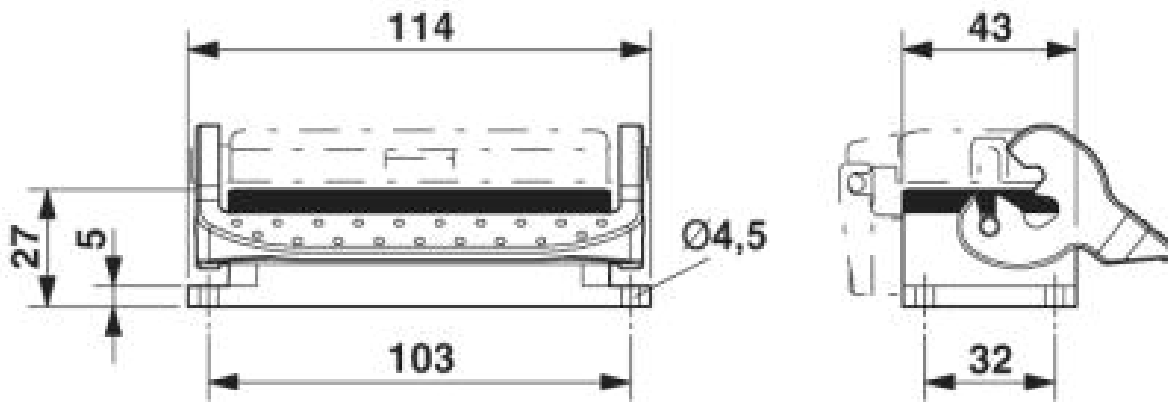
Approval details



Drawings

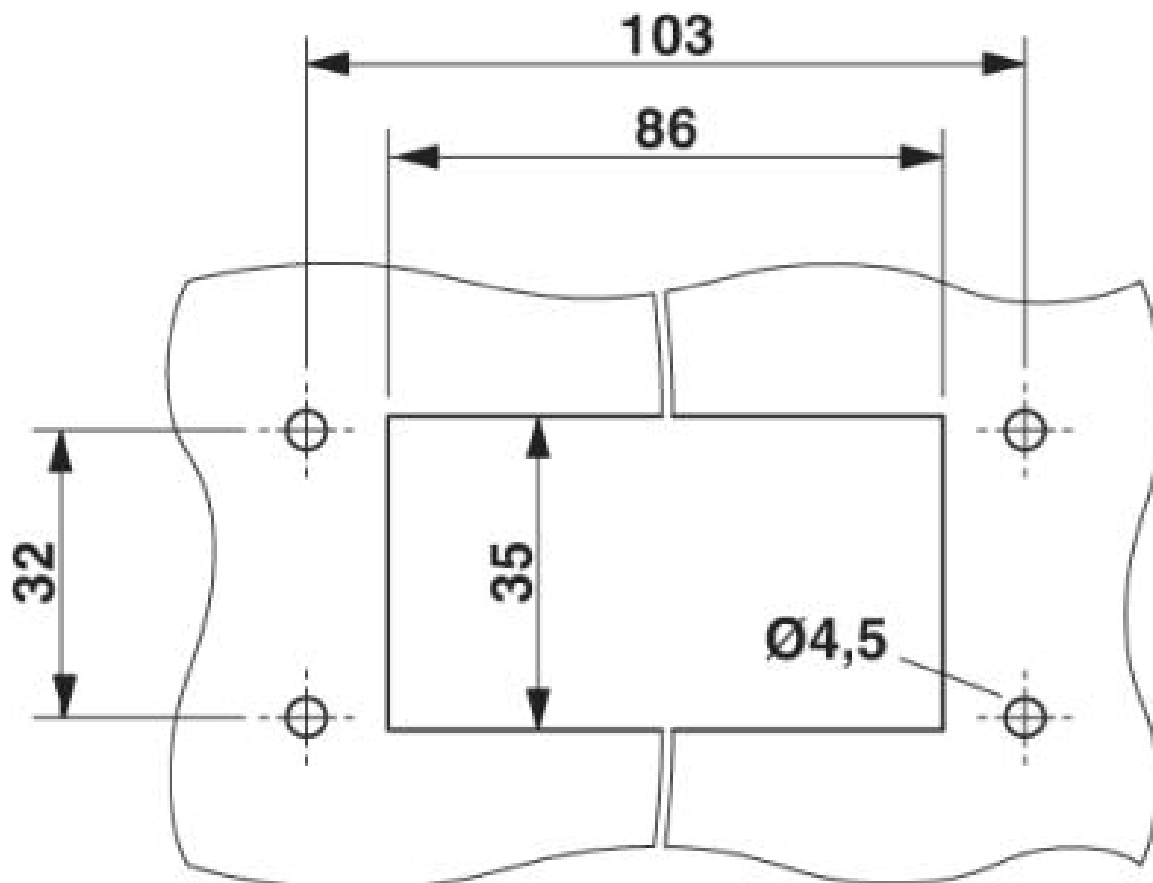
Housing - HC-B 16-AMLD - 1771613

Dimensioned drawing



Dimensional drawing

Dimensioned drawing



Panel cutout