

# Bus system connector - SACC-M12MRD-4Q SH - 1553624

Please be informed that the data shown in this PDF Document is generated from our Online Catalog. Please find the complete data in the user's documentation. Our General Terms of Use for Downloads are valid (<http://download.phoenixcontact.com>)



Bus system connector, Ethernet CAT5, Ethernet CAT5e, 4-position, shielded, Plug angled M12, D-coded, Insulation displacement connection, Knurl material: Nickel-plated brass, External cable diameter 4 mm ... 8 mm

## Product Features

- Safe use in the field, thanks to a high degree of protection
- Flexible: connectors for on-site assembly
- Insulation displacement connection: innovative and time-saving assembly without stripping the single wire
- Reliable signal transmission - 360° shielding in environments with electromagnetic interference

## Ethernet

### Key commercial data

package_quantity	1
GTIN	4046356158794

### Technical data

#### Dimensions

External diameter	4 mm ... 8 mm
Stripping length of the sheath	35 mm

#### Ambient conditions

Ambient temperature (operation)	-40 °C ... 85 °C
Degree of protection	IP67

#### General

Rated current at 40°C	1.75 A
Rated voltage	60 V
Number of positions	4
Contact resistance	≤ 5 mΩ
Insulation resistance	≥ 100 MΩ
Coding	D - data
Standards/regulations	M12 connector IEC 61076-2-101
Signal type/category	Ethernet CAT5 (IEC 11801:2002)
Signal type/category	Ethernet CAT5e (TIA 568B:2001)
Status display	No
Surge voltage category	II
Pollution degree	3

# Bus system connector - SACC-M12MRD-4Q SH - 1553624

## Technical data

### General

<b>Connection method</b>	Insulation displacement connection
<b>Conductor cross section</b>	0.14 mm <sup>2</sup> ... 0.34 mm <sup>2</sup>
<b>AWG conductor cross section</b>	26 ... 22
<b>Wire diameter incl. insulation</b>	≤ 1.6 mm
<b>Frequency of connections between conductors of the same cross section</b>	≤ 10
<b>Insertion/withdrawal cycles</b>	≥ 100
<b>Torque</b>	0.4 Nm (M12 knurl)
<b>Torque</b>	0.8 Nm (Connector with coupling sleeve)
<b>Torque</b>	3 Nm (Pressure nut with coupling sleeve)
<b>Assembly instructions</b>	The connector pin assignment can be rotated 45° to the cable outlet

### Material

<b>Inflammability class according to UL 94</b>	V0
<b>Contact material</b>	CuSn
<b>Contact surface material</b>	Ni/Au
<b>Contact carrier material</b>	PA 66
<b>Material of grip body</b>	Zinc die-cast, nickel-plated
<b>Material, knurls</b>	Nickel-plated brass
<b>Sealing material</b>	Neoprene

## classifications

### eCl@ss

<b>eCl@ss 4.0</b>	27250313
<b>eCl@ss 4.1</b>	27250313
<b>eCl@ss 5.0</b>	27143423
<b>eCl@ss 5.1</b>	27143423
<b>eCl@ss 6.0</b>	27143423
<b>eCl@ss 7.0</b>	27449001
<b>eCl@ss 8.0</b>	27449001

### ETIM

<b>ETIM 3.0</b>	EC002062
<b>ETIM 4.0</b>	EC002062
<b>ETIM 5.0</b>	EC002062

### UNSPSC

<b>UNSPSC 6.01</b>	31251501
<b>UNSPSC 7.0901</b>	31251501
<b>UNSPSC 11</b>	31251501
<b>UNSPSC 12.01</b>	31251501
<b>UNSPSC 13.2</b>	31251501

## Bus system connector - SACC-M12MRD-4Q SH - 1553624

### approvals

---

GOST /

---

### Approval details



### accessories

#### Torque tool

TSD 04 SAC - 1208429



TSD-M 1,2NM - 1212224



TSD 08 SAC - 1212597



#### Screwdriver tools

SACC BIT M12-D20 - 1208445



## Bus system connector - SACC-M12MRD-4Q SH - 1553624

### accessories

TSD-M SAC-BIT ADAPTER - 1212600



---

### Protective cap

PROT-M12 FS-PA-CHAIN - 1430873



---

### Data cable by the meter

VS-OE-OE-93E/... - 1417320



---

### Stripping tool

WIREFOX-D 40 - 1212161



---

### Shield connection

ALU-SB - 1404531



## Bus system connector - SACC-M12MRD-4Q SH - 1553624

accessories

---

accessories

MICROFOX SC - 1205862

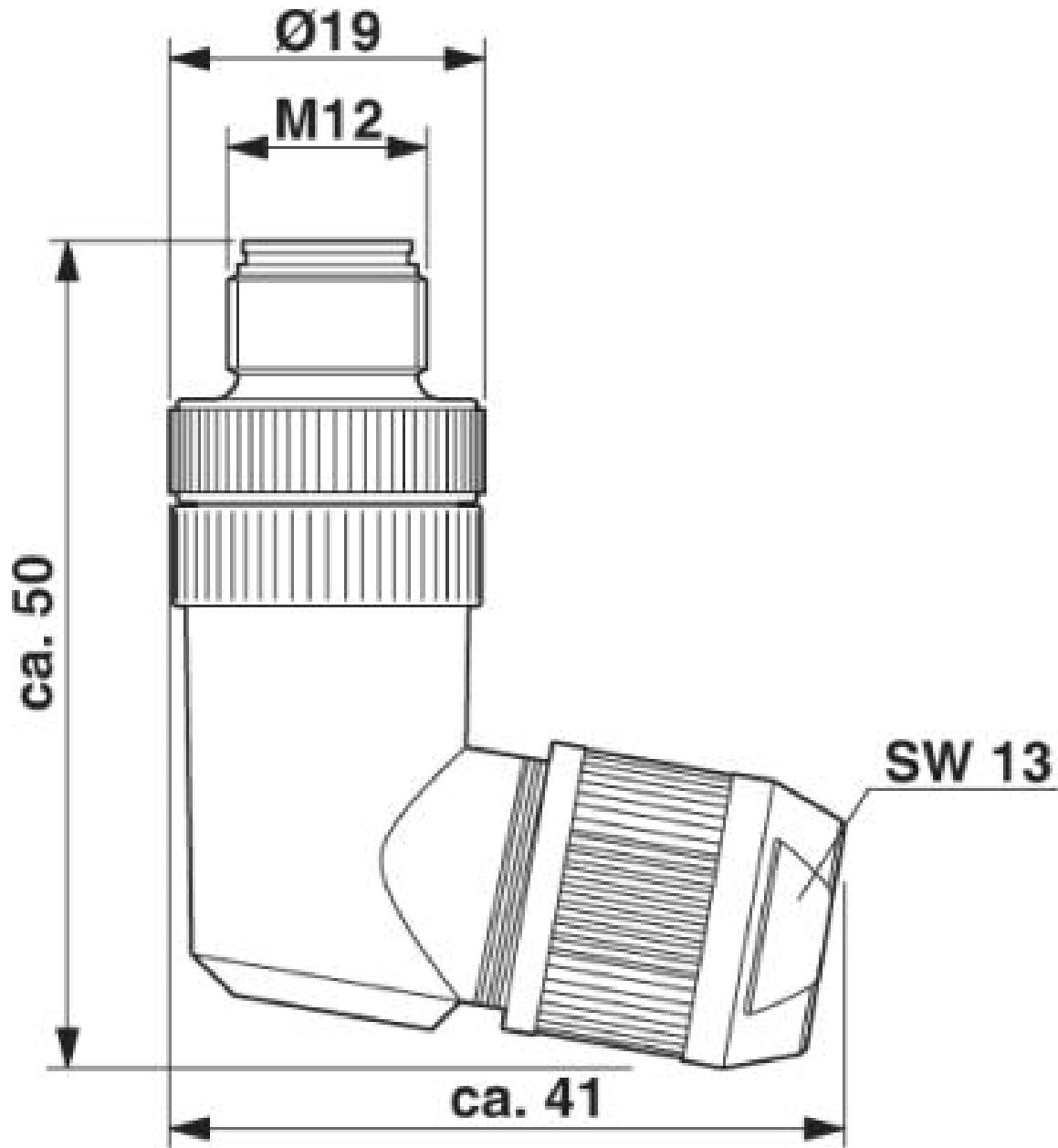


---

Drawings

# Bus system connector - SACC-M12MRD-4Q SH - 1553624

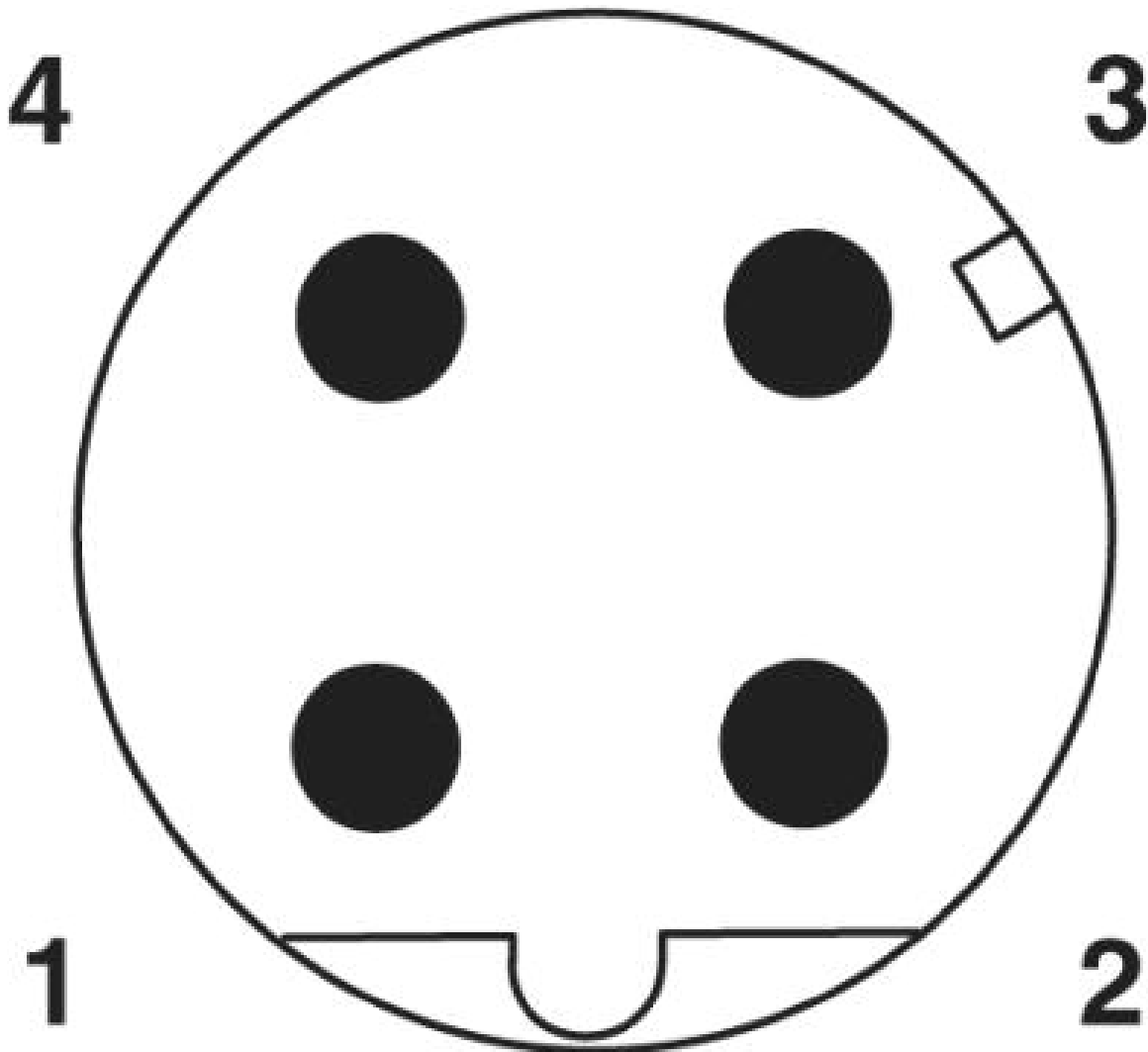
Dimensioned drawing



M12 x 1 male plug, angled

## Bus system connector - SACC-M12MRD-4Q SH - 1553624

Schematic diagram



Pin assignment M12 socket, 4-pos., D-coded, female side

© Phoenix Contact 2014 - all rights reserved  
<http://www.phoenixcontact.com>