

Bus system connector - SACC-M12FSB-5CON-PG9 SH AU - 1507777

Please be informed that the data shown in this PDF Document is generated from our Online Catalog. Please find the complete data in the user's documentation. Our General Terms of Use for Downloads are valid (<http://download.phoenixcontact.com>)



Bus system connector, female, straight, 5-pos., M12, shielded, gold-plated contacts, B-coded, screw connection, metal knurl, cable screw connection Pg9

Product Features

- Safe use in the field, thanks to a high degree of protection
- Flexible: connectors for on-site assembly
- Screw connection: proven connection technology for a large selection of different conductors
- Reliable signal transmission - 360° shielding in environments with electromagnetic interference



Key commercial data

package_quantity	1
GTIN	4017918900434

Technical data

Dimensions

External diameter	6 mm ... 8.5 mm
Stripping length of the sheath	35 mm
Stripping length of the individual wire	5 mm

Ambient conditions

Ambient temperature (operation)	-40 °C ... 85 °C (Plug / socket)
Degree of protection	IP67

General

Rated current at 40°C	4 A
Rated voltage	60 V
Number of positions	5
Contact resistance	≤ 3 mΩ
Insulation resistance	≥ 100 MΩ
Coding	B - inverse
Standards/regulations	M12 connector IEC 61076-2-101
Status display	No

Bus system connector - SACC-M12FSB-5CON-PG9 SH AU - 1507777

Technical data

General

Surge voltage category	II
Pollution degree	3
Connection method	Screw connection
Conductor cross section	0.25 mm ² ... 0.75 mm ²
AWG conductor cross section	24 ... 18
Insertion/withdrawal cycles	≥ 100
Torque	0.4 Nm (M12 knurl)
Torque	0.2 Nm (Screw terminal blocks)
Torque	0.8 Nm ... 1 Nm (Pressure screw for outer cable diameter 4 mm ... 8 mm)
Torque	1 Nm ... 1.4 Nm (Pressure screw for outer cable diameter 8 mm ... 12 mm)
Tightening torque	Screw plug insert with sleeve housing as far it will go
Assembly instructions	The wires can be connected both with ferrules and without ferrules

Material

Inflammability class according to UL 94	HB
Contact material	CuSn
Contact surface material	Au
Contact carrier material	PA 66
Material of grip body	Zinc die-cast, nickel-plated
Material, knurls	Nickel-plated brass
Sealing material	NBR

classifications

eCl@ss

eCl@ss 4.0	27140815
eCl@ss 4.1	27140815
eCl@ss 5.0	27260701
eCl@ss 5.1	27260701
eCl@ss 6.0	27279221
eCl@ss 7.0	27440104
eCl@ss 8.0	27440104

ETIM

ETIM 2.0	EC001121
ETIM 3.0	EC002062
ETIM 4.0	EC002062
ETIM 5.0	EC002062

UNSPSC

UNSPSC 6.01	31251501
--------------------	----------

Bus system connector - SACC-M12FSB-5CON-PG9 SH AU - 1507777

classifications

UNSPSC

UNSPSC 7.0901	31251501
UNSPSC 11	31251501
UNSPSC 12.01	31251501
UNSPSC 13.2	31251501

approvals

GOST / GOST / UL Recognized / cUL Recognized / cULus Recognized /

Approval details

GOST

UL Recognized

Nominal voltage UN	60 V
Nominal current IN	4 A
mm ² /AWG/kcmil	

cUL Recognized

Nominal voltage UN	60 V
Nominal current IN	4 A
mm ² /AWG/kcmil	

cULus Recognized

Bus system connector - SACC-M12FSB-5CON-PG9 SH AU - 1507777

accessories

Torque tool

TSD 04 SAC - 1208429



TSD-M 1,2NM - 1212224



Screwdriver tools

SACC BIT M12-D20 - 1208445



TSD-M SAC-BIT ADAPTER - 1212600



Protective cap

PROT-M12 MS-PA-CHAIN - 1430899

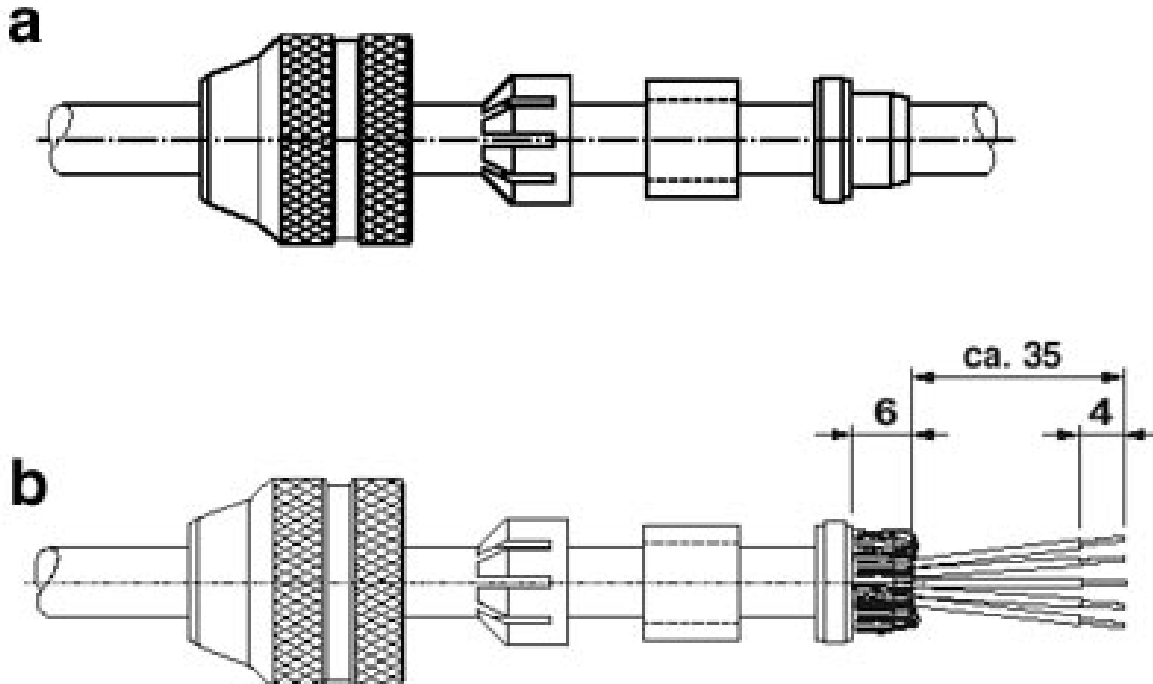


Bus system connector - SACC-M12FSB-5CON-PG9 SH AU - 1507777

accessories

Drawings

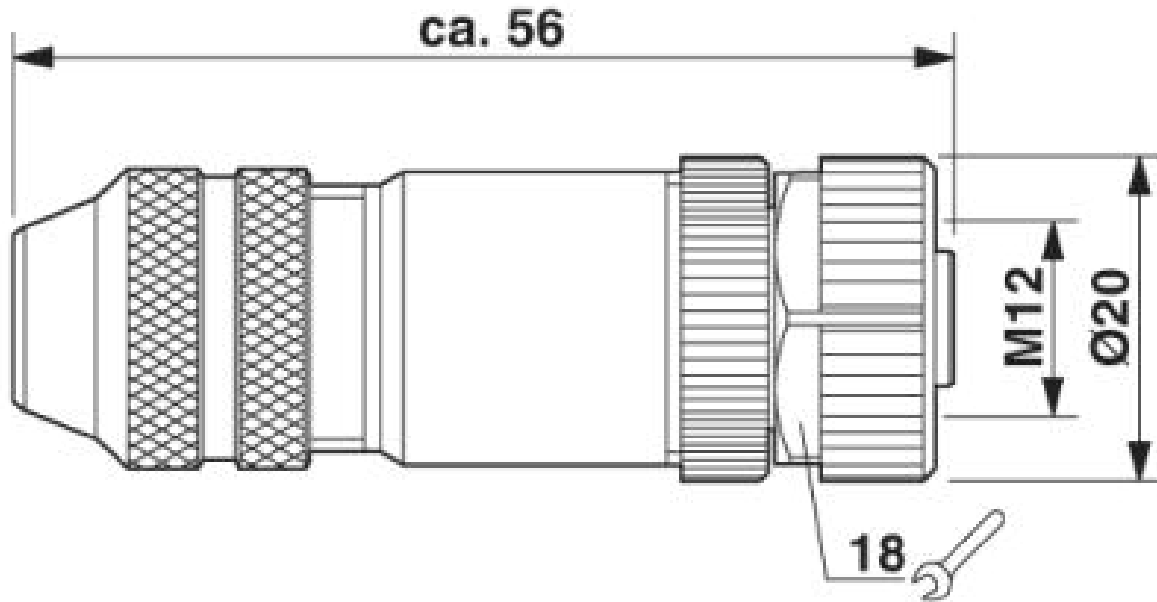
Functional drawing



Assembly steps for M12 male/female plug and conductors = Slide on parts b = Strip conductor, widen shield and lay around the shielding ring, cut off projecting mesh. Slide cores through the housing. Mount shielding ring, gasket and clamping cage. Tighten pressure screw to fix the cable. Screw down cores. Mount male/female part. Tighten pressure screw.

Bus system connector - SACC-M12FSB-5CON-PG9 SH AU - 1507777

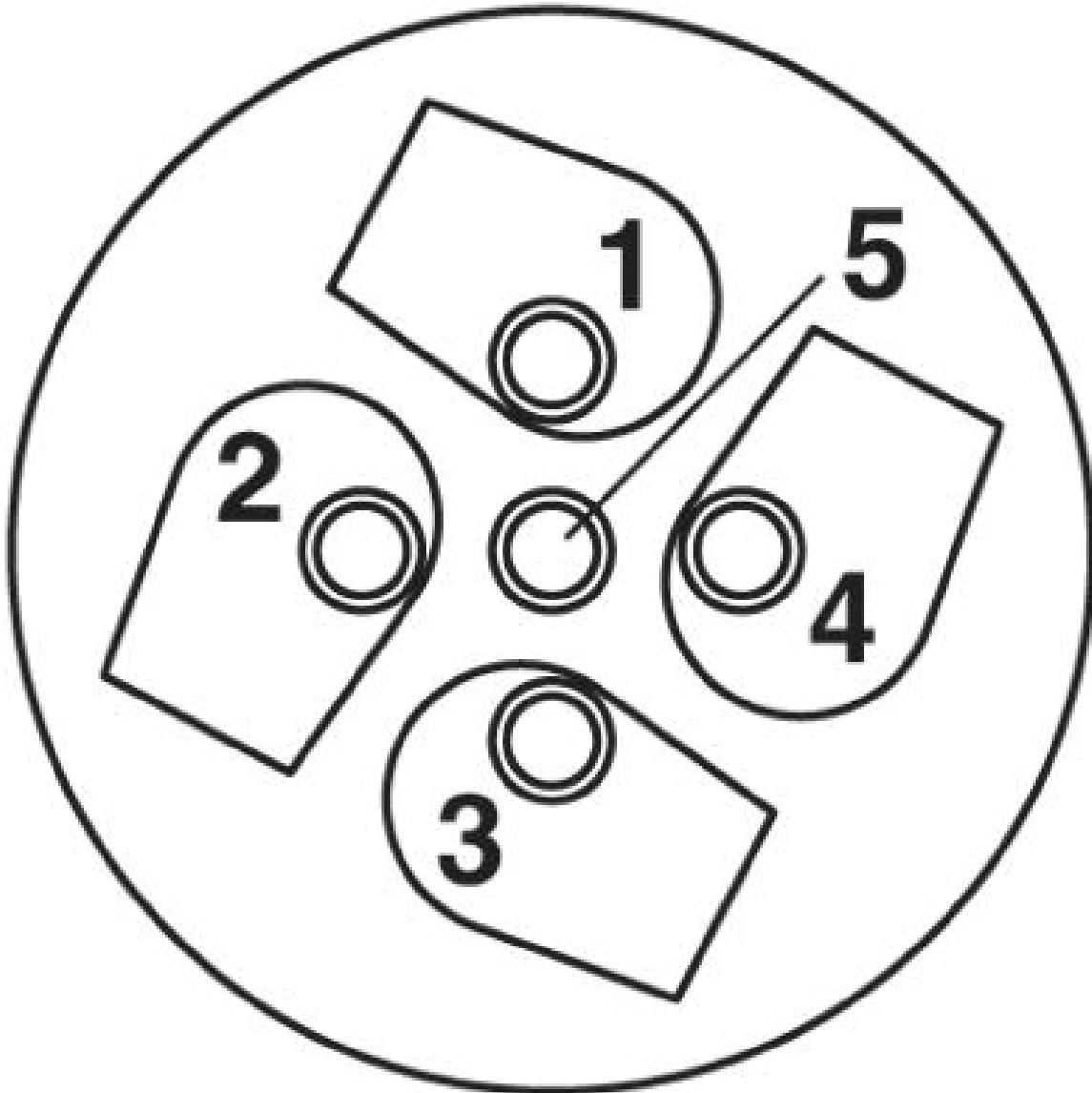
Dimensioned drawing



M12 x 1 socket, straight, shielded

Bus system connector - SACC-M12FSB-5CON-PG9 SH AU - 1507777

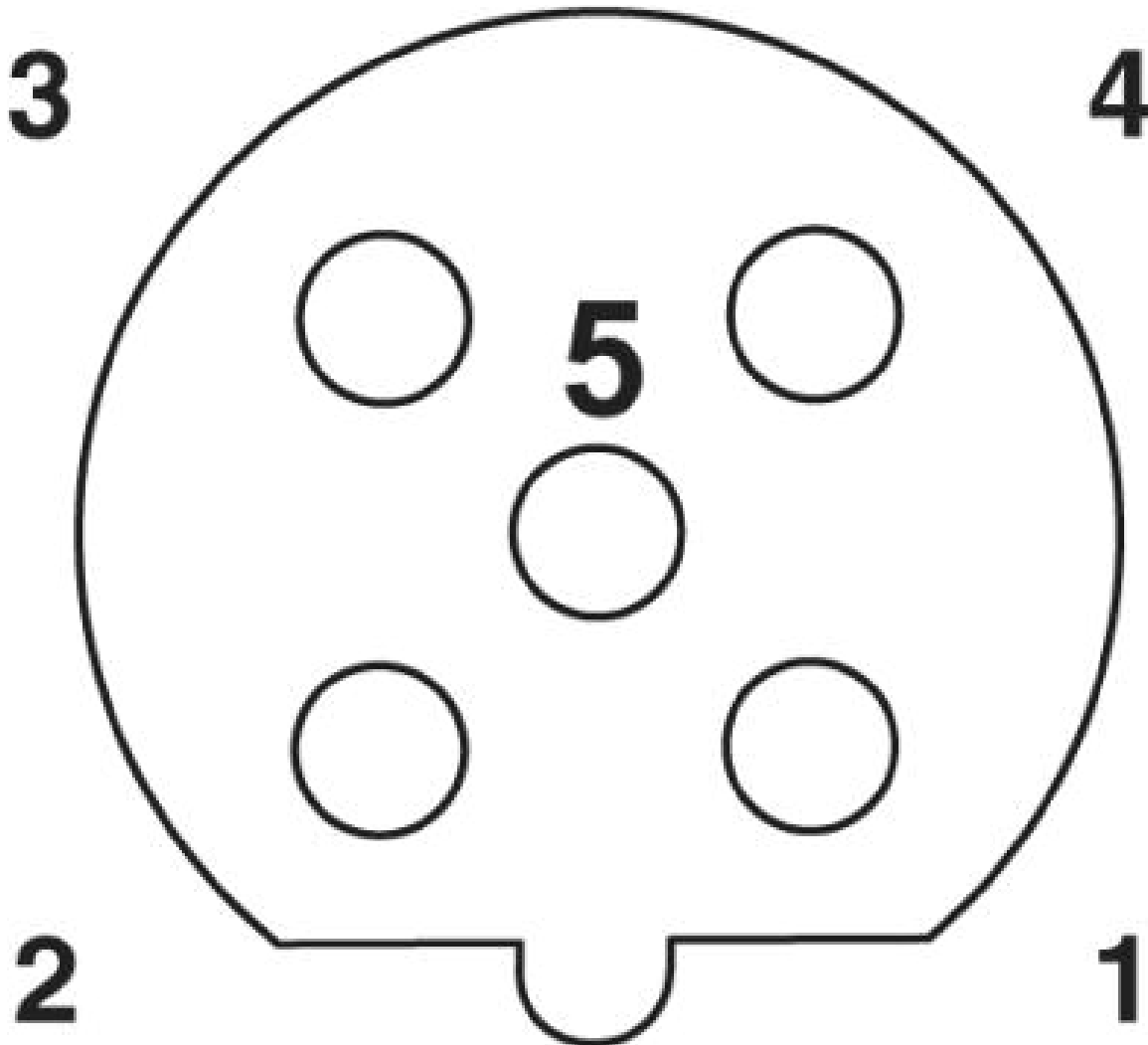
Schematic diagram



Cable connection side M12 (screw connection)

Bus system connector - SACC-M12FSB-5CON-PG9 SH AU - 1507777

Schematic diagram



Pin assignment M12 socket, 5-pos., B-coded, female side

© Phoenix Contact 2014 - all rights reserved
<http://www.phoenixcontact.com>