

# Bus system connector - SACC-M12MSB-5CON-PG9 SH AU - 1507764

Please be informed that the data shown in this PDF Document is generated from our Online Catalog. Please find the complete data in the user's documentation. Our General Terms of Use for Downloads are valid (<http://download.phoenixcontact.com>)



Bus system plug-in plug, male straight, 5-pos., M12, shielded, gold-plated contacts, B-coded, screw connection, metal knurl, cable screw connection Pg9

## Product Features

- Safe use in the field, thanks to a high degree of protection
- Flexible: connectors for on-site assembly
- Screw connection: proven connection technology for a large selection of different conductors
- Reliable signal transmission - 360° shielding in environments with electromagnetic interference



## Key commercial data

package_quantity	1
GTIN	4017918900427

## Technical data

### Dimensions

External diameter	6 mm ... 8.5 mm
Stripping length of the sheath	35 mm
Stripping length of the individual wire	5 mm

### Ambient conditions

Ambient temperature (operation)	-40 °C ... 85 °C (Plug / socket)
Degree of protection	IP67

### General

Rated current at 40°C	4 A
Rated voltage	60 V
Number of positions	5
Contact resistance	≤ 3 mΩ
Insulation resistance	≥ 100 MΩ
Coding	B - inverse
Standards/regulations	M12 connector IEC 61076-2-101
Status display	No

# Bus system connector - SACC-M12MSB-5CON-PG9 SH AU - 1507764

## Technical data

### General

<b>Surge voltage category</b>	II
<b>Pollution degree</b>	3
<b>Connection method</b>	Screw connection
<b>Conductor cross section</b>	0.25 mm <sup>2</sup> ... 0.75 mm <sup>2</sup>
<b>AWG conductor cross section</b>	24 ... 18
<b>Insertion/withdrawal cycles</b>	≥ 100
<b>Torque</b>	0.4 Nm (M12 knurl)
<b>Torque</b>	0.2 Nm (Screw terminal blocks)
<b>Torque</b>	0.8 Nm ... 1 Nm (Pressure screw for outer cable diameter 4 mm ... 8 mm)
<b>Torque</b>	1 Nm ... 1.4 Nm (Pressure screw for outer cable diameter 8 mm ... 12 mm)
<b>Tightening torque</b>	Screw plug insert with sleeve housing as far it will go
<b>Assembly instructions</b>	The wires can be connected both with ferrules and without ferrules

### Material

<b>Inflammability class according to UL 94</b>	HB
<b>Contact material</b>	CuZn
<b>Contact surface material</b>	Au
<b>Contact carrier material</b>	PA 66
<b>Material of grip body</b>	Zinc die-cast, nickel-plated
<b>Material, knurls</b>	Nickel-plated brass
<b>Sealing material</b>	NBR

## classifications

### eCl@ss

<b>eCl@ss 4.0</b>	27140815
<b>eCl@ss 4.1</b>	27140815
<b>eCl@ss 5.0</b>	27260701
<b>eCl@ss 5.1</b>	27260701
<b>eCl@ss 6.0</b>	27279221
<b>eCl@ss 7.0</b>	27440104
<b>eCl@ss 8.0</b>	27440104

### ETIM

<b>ETIM 2.0</b>	EC001121
<b>ETIM 3.0</b>	EC002062
<b>ETIM 4.0</b>	EC002062
<b>ETIM 5.0</b>	EC002062

### UNSPSC

<b>UNSPSC 6.01</b>	31251501
--------------------	----------

# Bus system connector - SACC-M12MSB-5CON-PG9 SH AU - 1507764

## classifications

### UNSPSC

UNSPSC 7.0901	31251501
UNSPSC 11	31251501
UNSPSC 12.01	31251501
UNSPSC 13.2	31251501

## approvals

GOST / GOST / UL Recognized / cUL Recognized / cULus Recognized /

### Approval details

GOST

UL Recognized

Nominal voltage UN	60 V
Nominal current IN	4 A
mm <sup>2</sup> /AWG/kcmil	

cUL Recognized

Nominal voltage UN	60 V
Nominal current IN	4 A
mm <sup>2</sup> /AWG/kcmil	

cULus Recognized

# Bus system connector - SACC-M12MSB-5CON-PG9 SH AU - 1507764

accessories

## Torque tool

TSD 04 SAC - 1208429



TSD-M 1,2NM - 1212224



## Screwdriver tools

SACC BIT M12-D20 - 1208445



TSD-M SAC-BIT ADAPTER - 1212600



## Protective cap

PROT-M12 FS-PA-CHAIN - 1430873



# Bus system connector - SACC-M12MSB-5CON-PG9 SH AU - 1507764

accessories

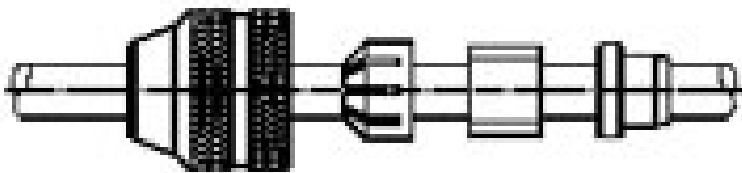
---

Drawings

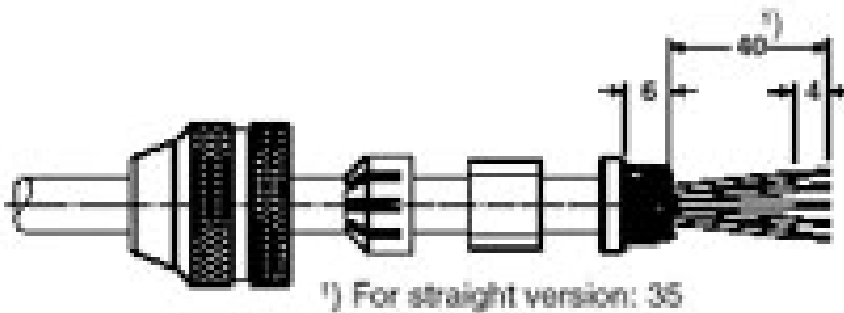
# Bus system connector - SACC-M12MSB-5CON-PG9 SH AU - 1507764

Functional drawing

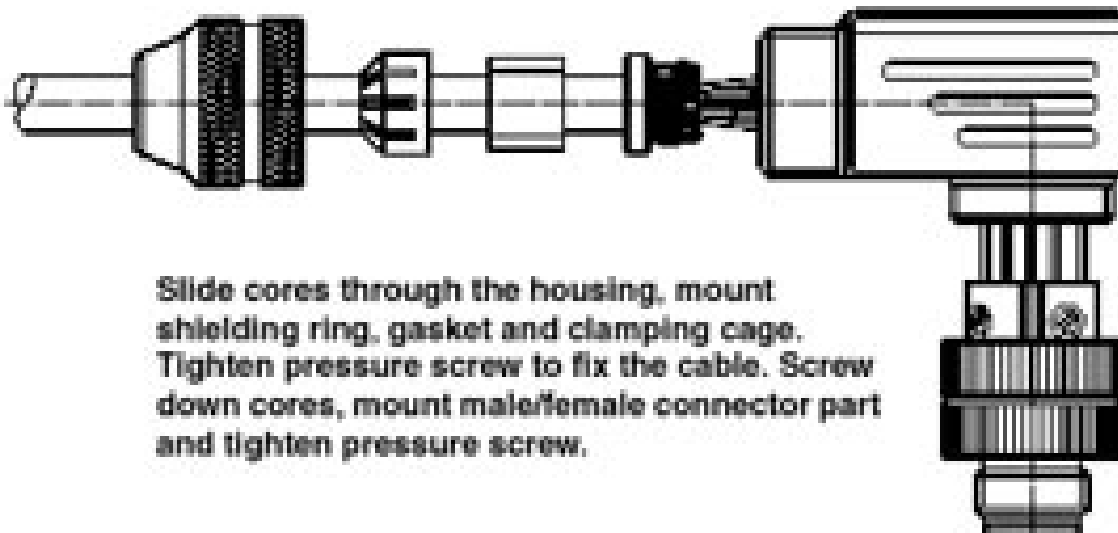
## Assembly steps for M 12 male/female connector and conductor



Slide parts onto the conductor



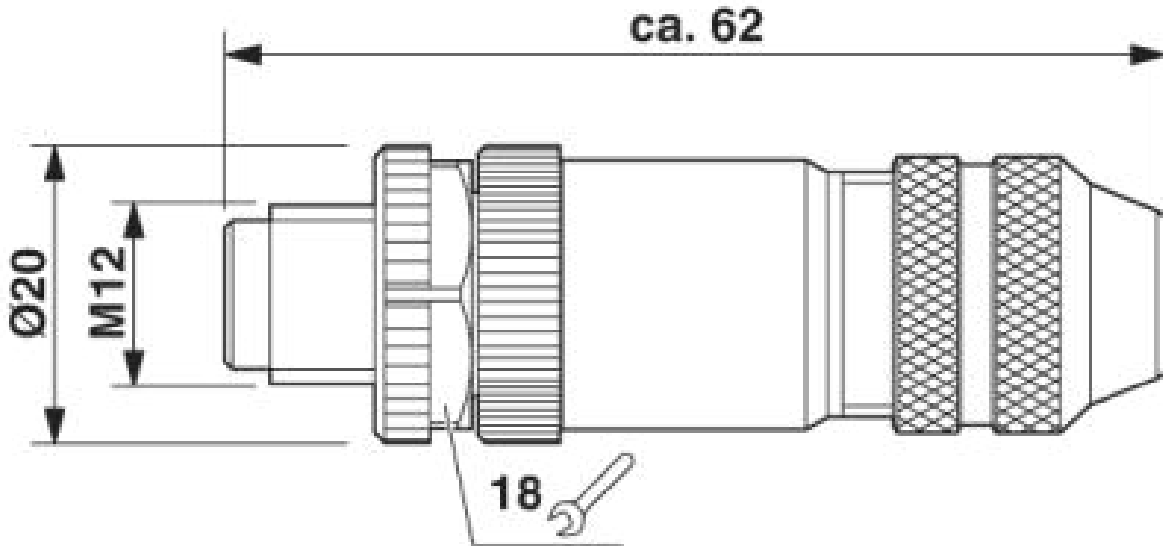
Strip conductor, widen shield and lay around the shielding ring, cut off projecting mesh.



Slide cores through the housing, mount shielding ring, gasket and clamping cage. Tighten pressure screw to fix the cable. Screw down cores, mount male/female connector part and tighten pressure screw.

# Bus system connector - SACC-M12MSB-5CON-PG9 SH AU - 1507764

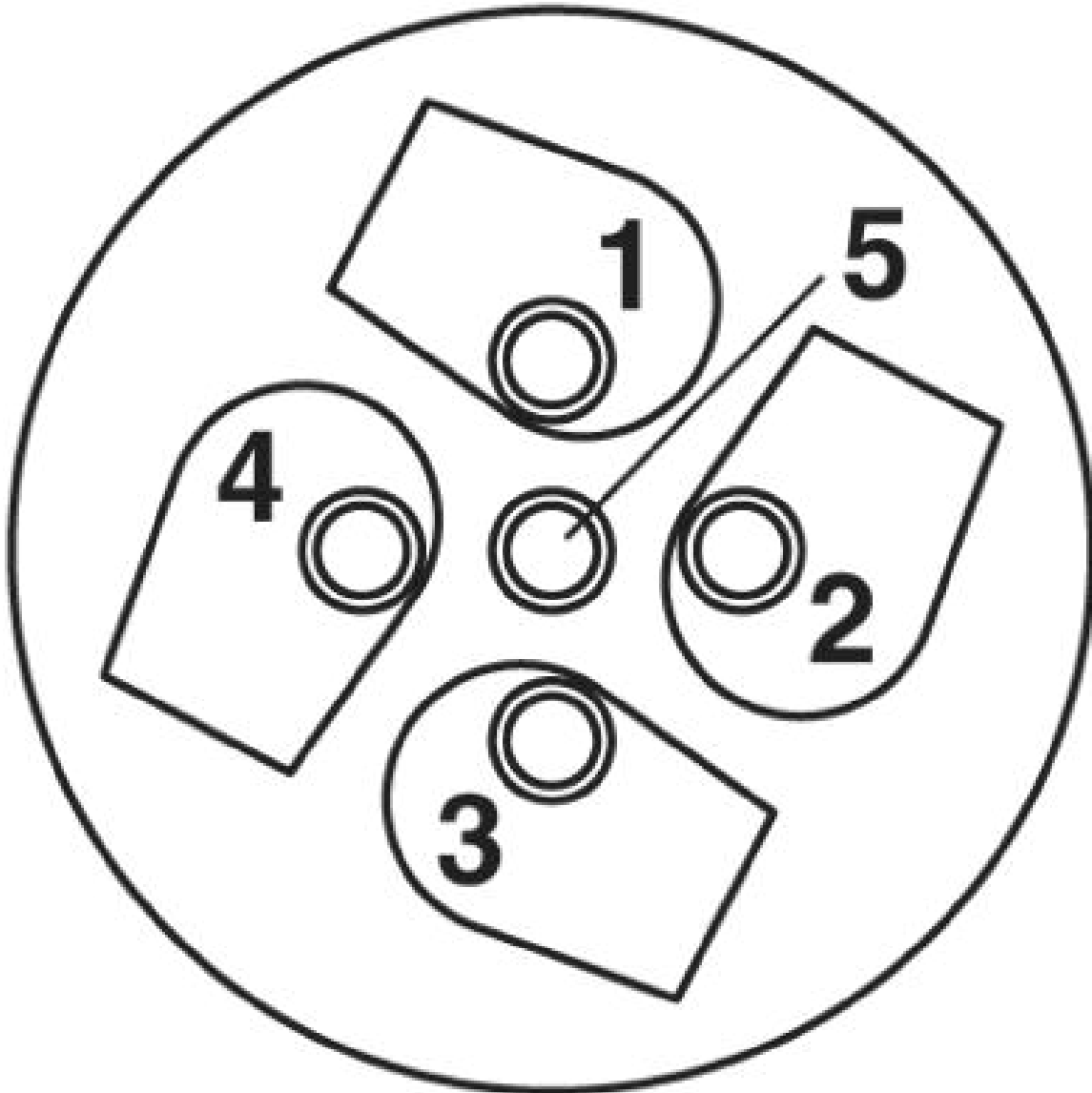
Dimensioned drawing



Plug, M12 x 1, straight, shielded

# Bus system connector - SACC-M12MSB-5CON-PG9 SH AU - 1507764

Schematic diagram

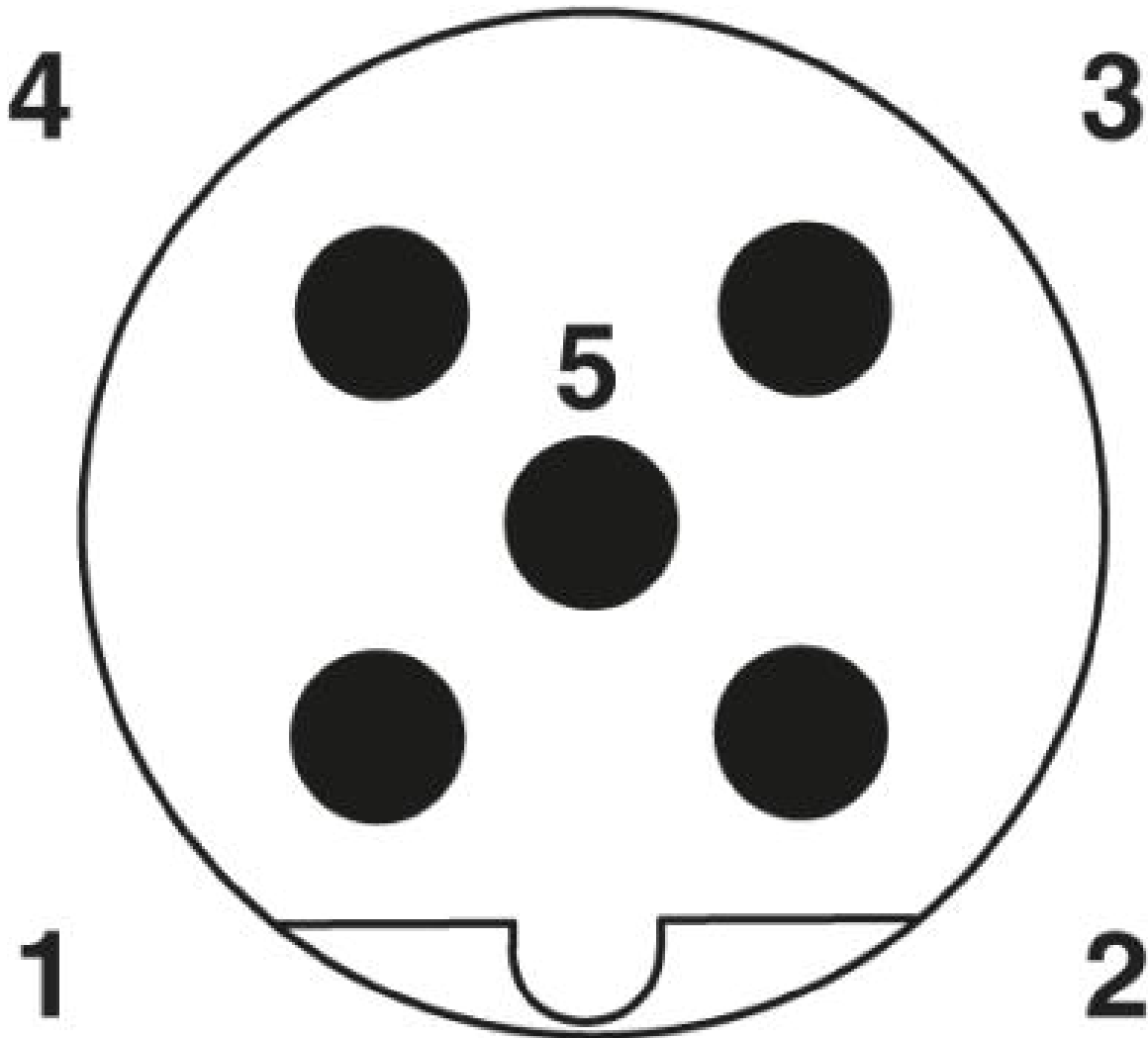


Cable connection side M12 (screw connection)



# Bus system connector - SACC-M12MSB-5CON-PG9 SH AU - 1507764

Schematic diagram



Pin assignment M12 male connector, 5-pos., B-coded, male side

© Phoenix Contact 2014 - all rights reserved  
<http://www.phoenixcontact.com>