

# Sensor/actuator box header - SACB-10/3-L-C-M8 GG - 1516289

Please be informed that the data shown in this PDF Document is generated from our Online Catalog. Please find the complete data in the user's documentation. Our General Terms of Use for Downloads are valid (<http://download.phoenixcontact.com>)



Sensor/actuator box header, Connection method: M8 socket Metal, Number of slots: 10, Number of positions: 3, Slot assignment: Single, Status indication: Yes, pnp; Master cable connection: Pluggable screw connection, Shielding: No

## Key commercial data

<b>package_quantity</b>	1
<b>GTIN</b>	4017918967215

## Technical data

### General

<b>Rated voltage</b>	24 V DC
<b>Max. operating voltage <math>U_{max}</math></b>	30 V DC
<b>Current carrying capacity per I/O signal</b>	2 A
<b>Current carrying capacity per slot</b>	2 A
<b>Total rated current</b>	8 A
<b>Number of positions</b>	3
<b>Number of slots</b>	10
<b>Inflammability class according to UL 94</b>	V0
<b>Sensor/actuator connection system</b>	M8 socket

### Ambient conditions

<b>Degree of protection</b>	IP65
<b>Degree of protection</b>	IP67
<b>Ambient temperature (operation)</b>	-30 °C ... 80 °C

### Local diagnostics function

<b>Local diagnostics</b>	Supply voltage Green LED
<b>Local diagnostics</b>	Status display I/O Yellow LED

### Master cable data/connection data

<b>Connection method</b>	Pluggable screw connection
<b>Tightening torque slot sensor/actuator cable</b>	0.2 Nm

### Insulation material

<b>Housing material</b>	PBT
<b>Material of the moulding mass</b>	PUR
<b>Contact material</b>	CuSn

# Sensor/actuator box header - SACB-10/3-L-C-M8 GG - 1516289

## Technical data

### Insulation material

Contact surface material	Ni/Au
Contact carrier material	PA
Material of contact, master cable side	CU alloy
Material of contact surface, master cable side	Gold-plated
Material of the contact carrier on the master cable side	PA 66 V0
Material of threaded sleeve	Cu alloy
Material of threaded sleeve surface	Nickel-plated
Material, O-ring	NBR

### Pin assignment

Slot/position = Wire color or connection	1 / 4 (A) = 1 / 4
Slot/position = Wire color or connection	2 / 4 (A) = 2 / 4
Slot/position = Wire color or connection	3 / 4 (A) = 3 / 4
Slot/position = Wire color or connection	4 / 4 (A) = 4 / 4
Slot/position = Wire color or connection	5 / 4 (A) = 5 / 4
Slot/position = Wire color or connection	6 / 4 (A) = 6 / 4
Slot/position = Wire color or connection	7 / 4 (A) = 7 / 4
Slot/position = Wire color or connection	8 / 4 (A) = 8 / 4
Slot/position = Wire color or connection	9 / 4 (A) = 9 / 4
Slot/position = Wire color or connection	10 / 4 (A) = 10 / 4
Slot/position = Wire color or connection	1-10 / 1 (+24 V) = U <sub>N</sub>
Slot/position = Wire color or connection	1-10 / 3 (0 V) = 0 V

## classifications

### eCl@ss

eCl@ss 4.0	27140815
eCl@ss 4.1	27140815
eCl@ss 5.0	27143423
eCl@ss 5.1	27143423
eCl@ss 6.0	27143423
eCl@ss 7.0	27449001
eCl@ss 8.0	27449001

### ETIM

ETIM 2.0	EC000200
ETIM 3.0	EC001856
ETIM 4.0	EC002585
ETIM 5.0	EC002585

### UNSPSC

UNSPSC 6.01	31261501
UNSPSC 7.0901	31261501

# Sensor/actuator box header - SACB-10/3-L-C-M8 GG - 1516289

## classifications

### UNSPSC

<b>UNSPSC 11</b>	31261501
<b>UNSPSC 12.01</b>	31261501
<b>UNSPSC 13.2</b>	31261501

## approvals

UL Recognized / cUL Recognized / GOST / cULus Recognized /

### Approval details

<b>UL Recognized</b>	
Nominal voltage UN	24 V
Nominal current IN	
mm <sup>2</sup> /AWG/kcmil	

<b>cUL Recognized</b>	
Nominal voltage UN	24 V
Nominal current IN	
mm <sup>2</sup> /AWG/kcmil	

<b>GOST</b>
-------------

<b>cULus Recognized</b>
-------------------------

## accessories

### Terminal marking

## Sensor/actuator box header - SACB-10/3-L-C-M8 GG - 1516289

### accessories

ZBF10:UNBEDRUCKT - 0809997



---

### Labeled terminal marker

ZBF10 CUS - 0825031



---

### Protective cap

PROT-M8 - 1682540



---

### Torque tool

TSD 02 SAC - 1208487



TSD-M 1,2NM - 1212224



## Sensor/actuator box header - SACB-10/3-L-C-M8 GG - 1516289

accessories

TSD 25 SAC - 1212315



TSD-M 3NM - 1212225



### Screwdriver tools

SAC BIT M8-D10 - 1208461



SACC BIT M8-D12 - 1208474



SZK PZ2 VDE - 1206463



## Sensor/actuator box header - SACB-10/3-L-C-M8 GG - 1516289

### accessories

SAC BIT HOOD-W 24 - 1212486



---

TSD-M SAC-BIT ADAPTER - 1212600



---

SF-BIT-PZ 2-50 - 1212592

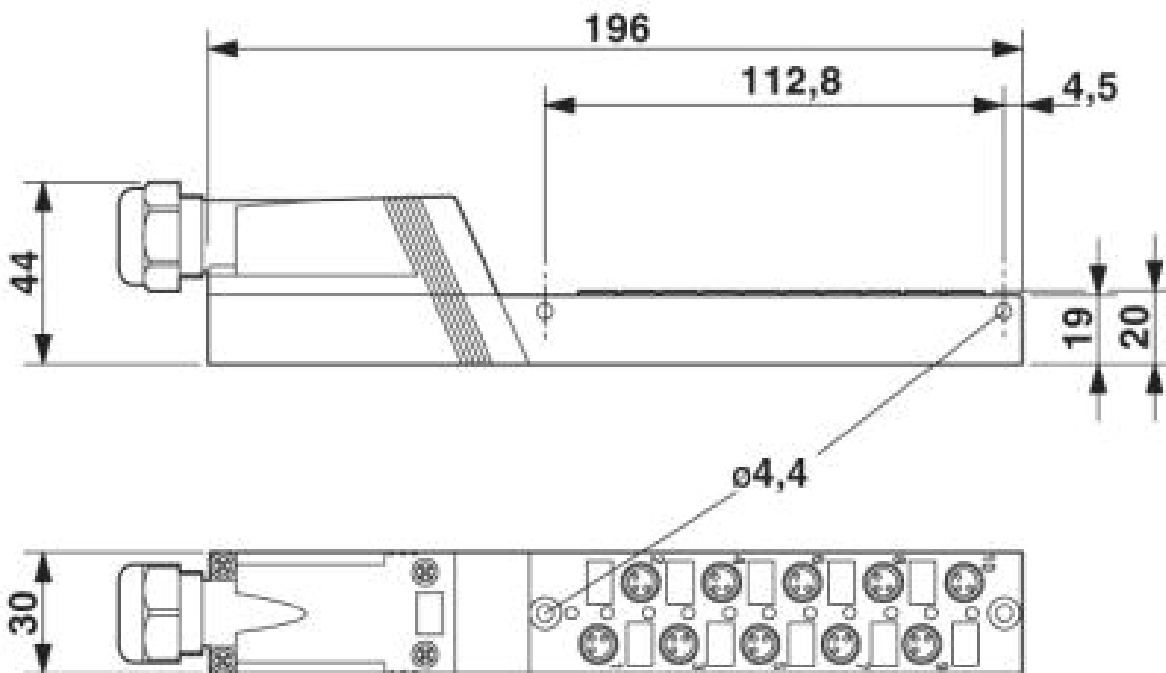


---

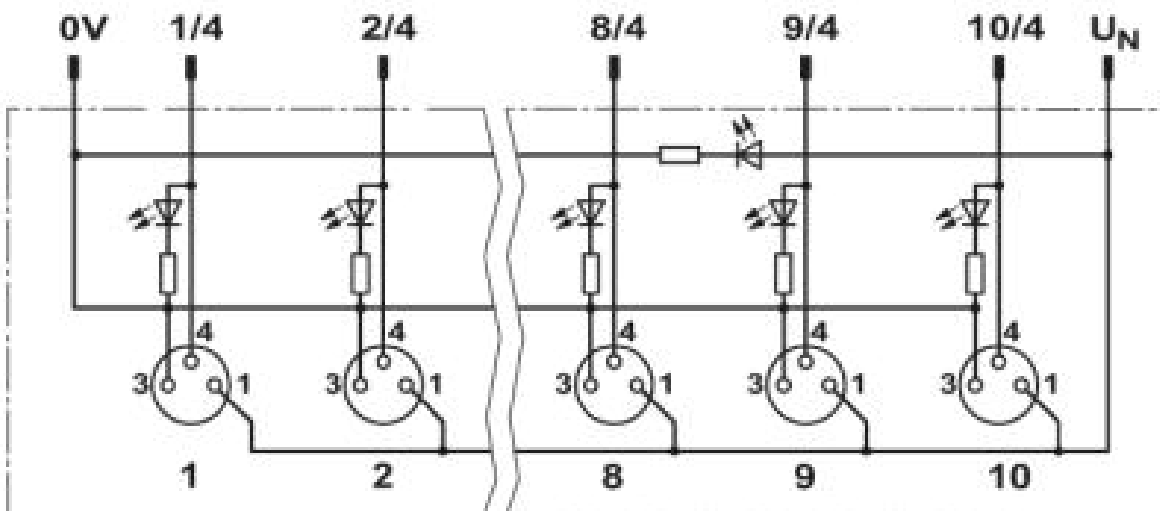
### Drawings

# Sensor/actuator box header - SACB-10/3-L-C-M8 GG - 1516289

Dimensioned drawing

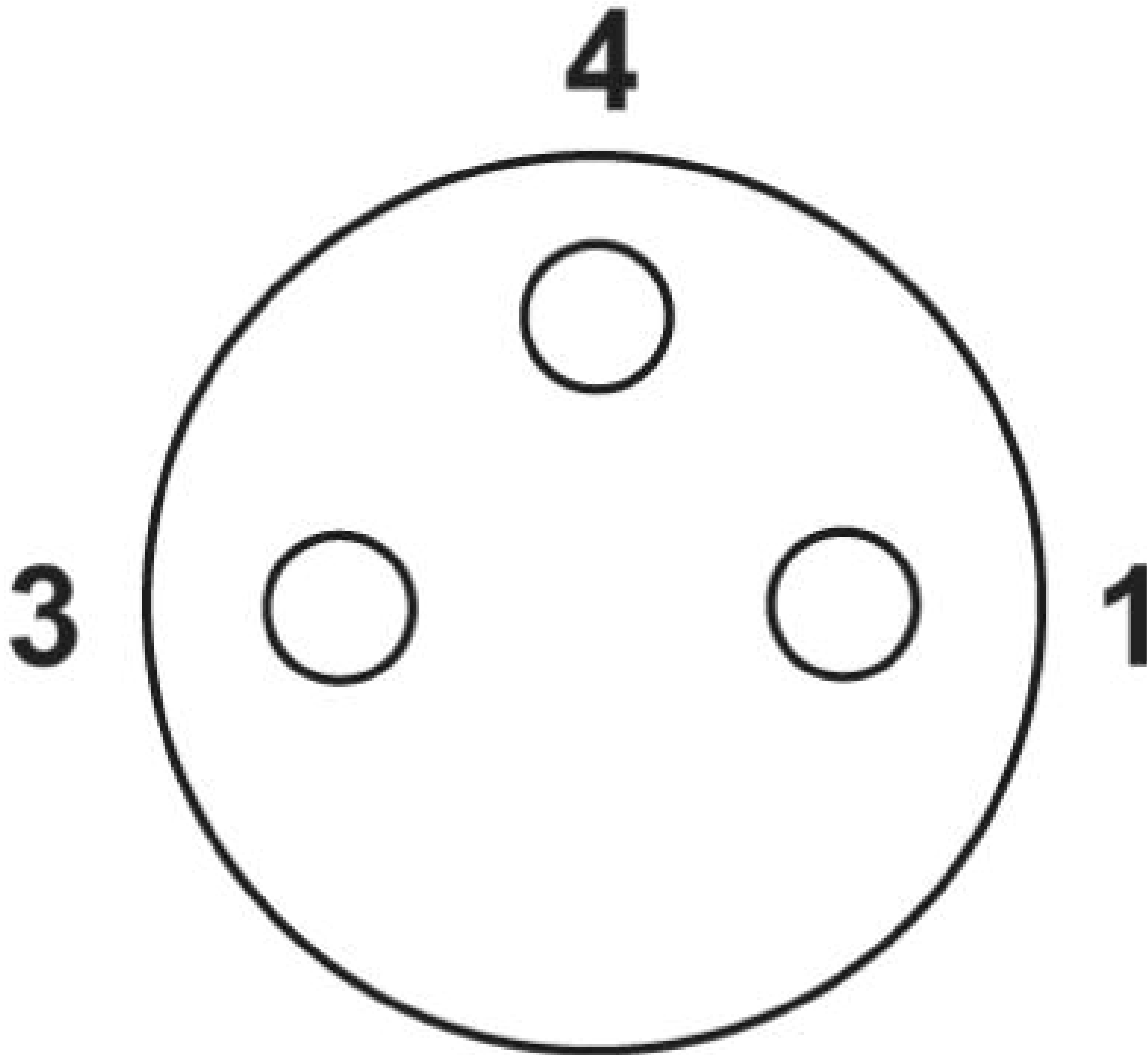


Circuit diagram



# Sensor/actuator box header - SACB-10/3-L-C-M8 GG - 1516289

Schematic diagram



M8 slot, socket, 3-pos.

© Phoenix Contact 2014 - all rights reserved  
<http://www.phoenixcontact.com>