

Y distributor - SAC-5P-M12Y/2XM12FS VP - 1683468

Please be informed that the data shown in this PDF Document is generated from our Online Catalog. Please find the complete data in the user's documentation. Our General Terms of Use for Downloads are valid (<http://download.phoenixcontact.com>)



Y-distributor, 5-pos., straight M12 plug on 2 x straight M12 socket, parallel distributor

Key commercial data

package_quantity	5
GTIN	4017918166915

Technical data

Dimensions

Center distance	18 mm
-----------------	-------

Ambient conditions

Ambient temperature (operation)	-25 °C ... 90 °C
Degree of protection	IP65
Degree of protection	IP67

General

Note	with center distance of 18 mm, suitable for molded connectors and unshielded connectors that can be assembled with QUICKON IDC terminal block connection technology and a connection range of 0.14 mm ² to 0.34 mm ²
Rated current at 40°C	4 A
Rated voltage	60 V
Number of positions	5
Contact resistance	≤ 5 mΩ
Insulation resistance	≥ 100 MΩ
Coding	A - standard
Standards/regulations	M12 connector IEC 61076-2-101
Status display	No
Surge voltage category	II
Pollution degree	3
Insertion/withdrawal cycles	≥ 100
Torque	0.4 Nm (M12 connector)

Material

Inflammability class according to UL 94	HB
---	----

Y distributor - SAC-5P-M12Y/2XM12FS VP - 1683468

Technical data

Material

Contact material	CuZn
Contact surface material	Ni/Au
Contact carrier material	TPU GF
Material of grip body	TPU, hardly inflammable, self-extinguishing
Material, knurls	Zinc die-cast, nickel-plated
Sealing material	NBR

Cable

classifications

eCl@ss

eCl@ss 4.0	27060306
eCl@ss 4.1	27060306
eCl@ss 5.0	27061801
eCl@ss 5.1	27061801
eCl@ss 6.0	27061801
eCl@ss 7.0	27061801
eCl@ss 8.0	27061801

ETIM

ETIM 2.0	EC000830
ETIM 3.0	EC001856
ETIM 4.0	EC002585
ETIM 5.0	EC001855

UNSPSC

UNSPSC 6.01	31251501
UNSPSC 7.0901	31251501
UNSPSC 11	31251501
UNSPSC 12.01	31251501
UNSPSC 13.2	31251501

approvals

GOST / GOST /

Approval details



Y distributor - SAC-5P-M12Y/2XM12FS VP - 1683468

approvals



accessories

Torque tool

TSD 04 SAC - 1208429



Screwdriver tools

SAC BIT M12-D15 - 1208432



Protective cap

PROT-M12 - 1680539



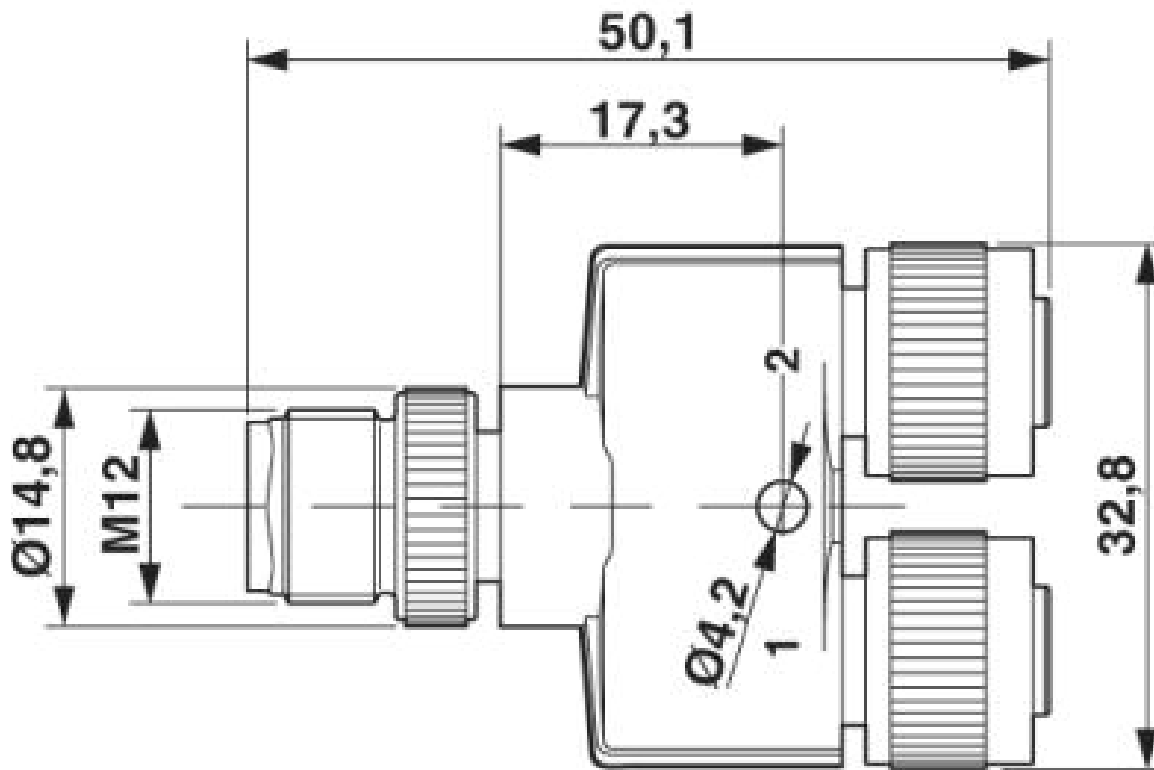
PROT-M12 FS - 1560251



Drawings

Y distributor - SAC-5P-M12Y/2XM12FS VP - 1683468

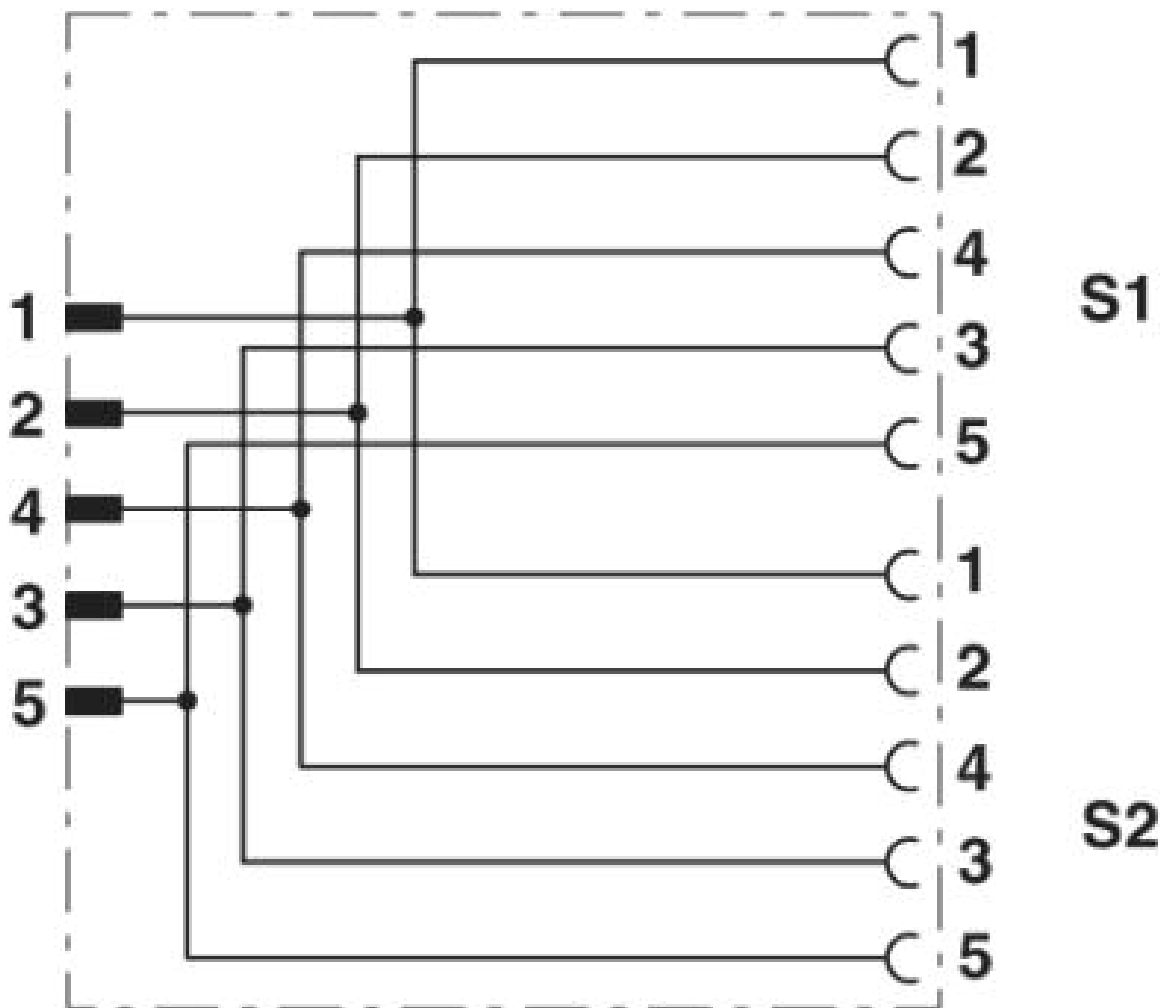
Dimensioned drawing



M12 Y distributor

Y distributor - SAC-5P-M12Y/2XM12FS VP - 1683468

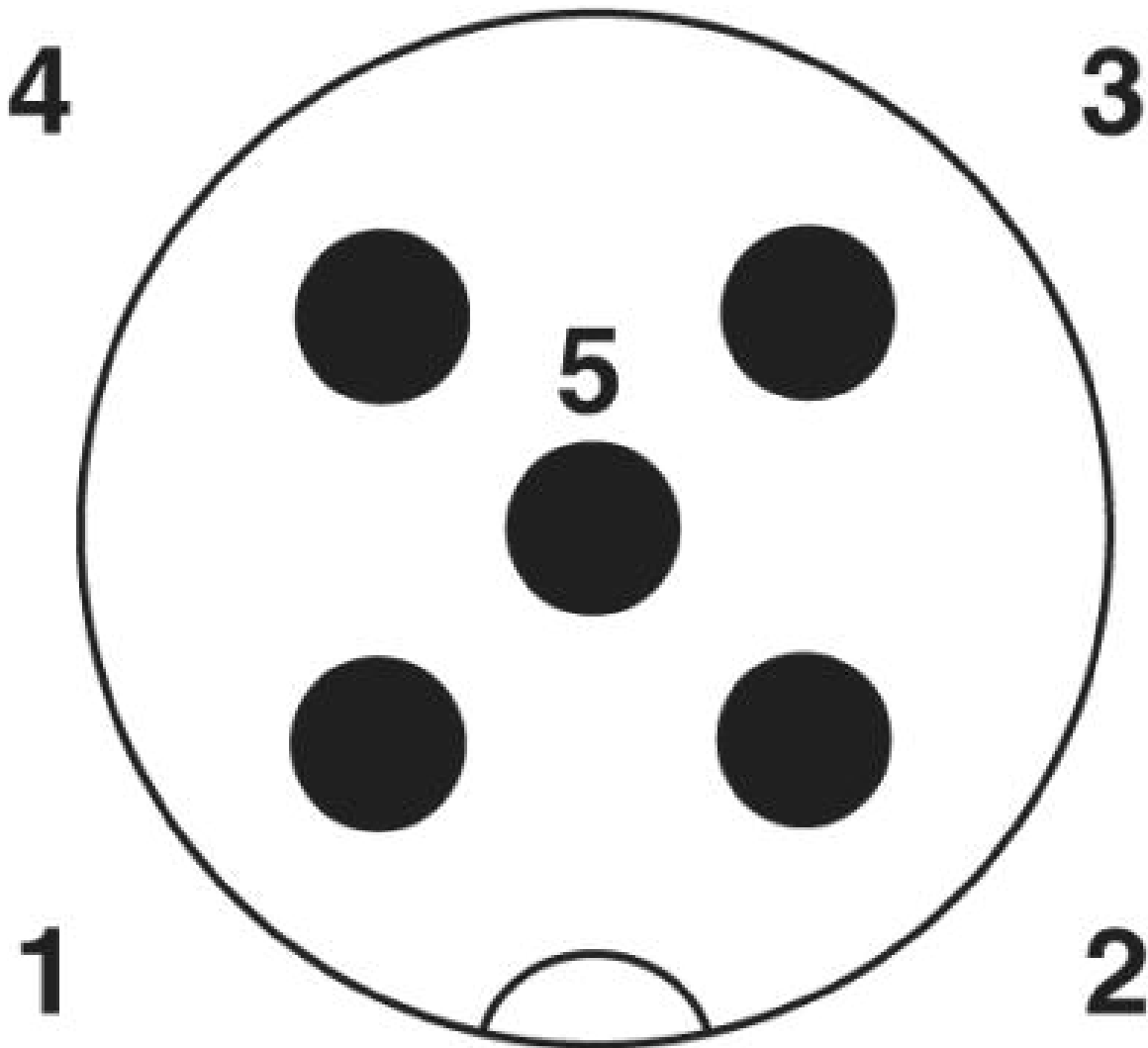
Circuit diagram



Contact assignment of the M12 Y distributor

Y distributor - SAC-5P-M12Y/2XM12FS VP - 1683468

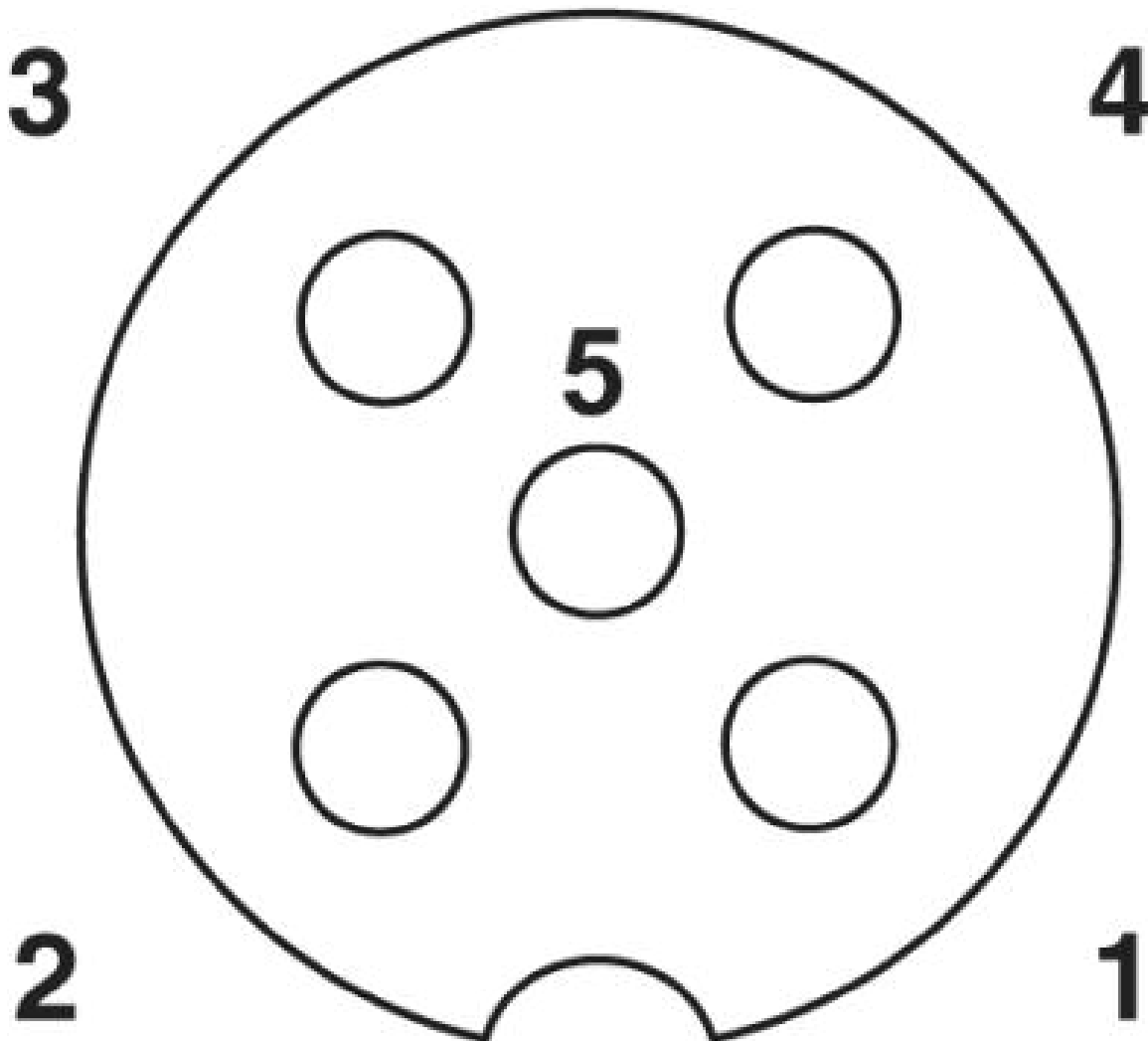
Schematic diagram



Pin assignment M12 male connector, 5-pos., A-coded, male side

Y distributor - SAC-5P-M12Y/2XM12FS VP - 1683468

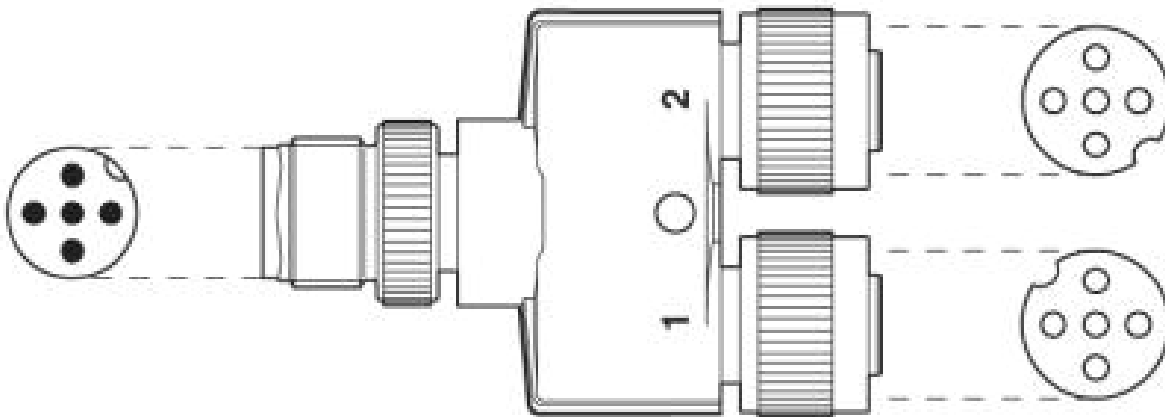
Schematic diagram



Pin assignment M12 socket, 5-pos., A-coded, socket side view

Y distributor - SAC-5P-M12Y/2XM12FS VP - 1683468

Schematic diagram



Layout of connector pin assignments

© Phoenix Contact 2014 - all rights reserved
<http://www.phoenixcontact.com>