

Y distributor - SAC-3P-M12Y/2XM12FS PE - 1683455

Please be informed that the data shown in this PDF Document is generated from our Online Catalog. Please find the complete data in the user's documentation. Our General Terms of Use for Downloads are valid (<http://download.phoenixcontact.com>)



Y-distributor, 3-pos. +PE, straight plug M12 on 2 x straight socket M12

Product Features

- T-plugs
- Termination resistors
- Y-distributors for power and signal connections

Key commercial data

package_quantity	5
GTIN	4017918166922

Technical data

Dimensions

Center distance	18 mm
------------------------	-------

Ambient conditions

Ambient temperature (operation)	-25 °C ... 90 °C
Degree of protection	IP65
Degree of protection	IP67

General

Note	with center distance of 18 mm, suitable for molded connectors and unshielded connectors that can be assembled with QUICKON IDC terminal block connection technology and a connection range of 0.14 mm ² to 0.34 mm ²
Rated current at 40°C	4 A
Rated voltage	60 V
Number of positions	3
Contact resistance	≤ 5 mΩ
Insulation resistance	≥ 100 MΩ
Coding	A - standard
Standards/regulations	M12 connector IEC 61076-2-101
Status display	No
Surge voltage category	II
Pollution degree	3
Insertion/withdrawal cycles	≥ 100

Y distributor - SAC-3P-M12Y/2XM12FS PE - 1683455

Technical data

General

Torque	0.4 Nm (M12 connector)
---------------	------------------------

Material

Inflammability class according to UL 94	HB
Contact material	CuZn
Contact surface material	Ni/Au
Contact carrier material	TPU GF
Material of grip body	TPU, hardly inflammable, self-extinguishing
Material, knurls	Zinc die-cast, nickel-plated
Sealing material	NBR

Cable

classifications

eCl@ss

eCl@ss 4.0	27060306
eCl@ss 4.1	27060306
eCl@ss 5.0	27061801
eCl@ss 5.1	27061801
eCl@ss 6.0	27061801
eCl@ss 7.0	27061801
eCl@ss 8.0	27061801

ETIM

ETIM 2.0	EC000830
ETIM 3.0	EC001856
ETIM 4.0	EC002585
ETIM 5.0	EC001855

UNSPSC

UNSPSC 6.01	31251501
UNSPSC 7.0901	31251501
UNSPSC 11	31251501
UNSPSC 12.01	31251501
UNSPSC 13.2	31251501

approvals

GOST / GOST /

Approval details

Y distributor - SAC-3P-M12Y/2XM12FS PE - 1683455

approvals



accessories

Torque tool

TSD 04 SAC - 1208429



Screwdriver tools

SAC BIT M12-D15 - 1208432



Protective cap

PROT-M12 - 1680539



PROT-M12 FS - 1560251

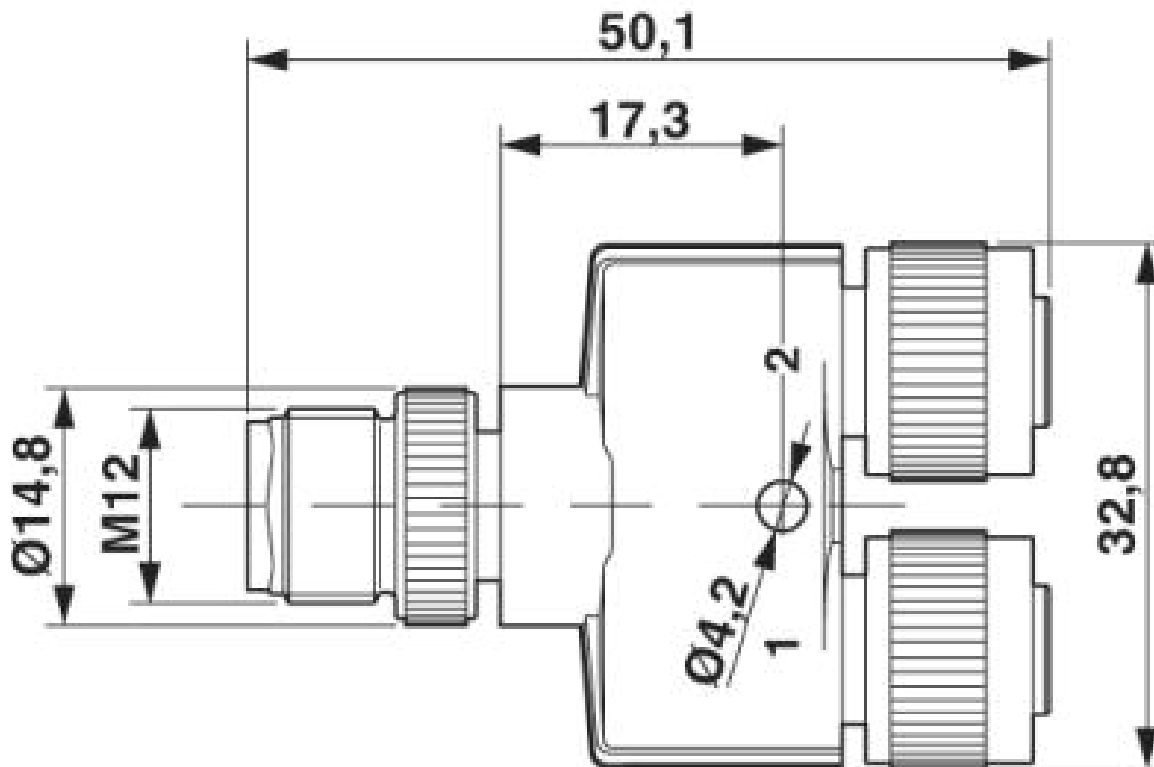


Y distributor - SAC-3P-M12Y/2XM12FS PE - 1683455

accessories

Drawings

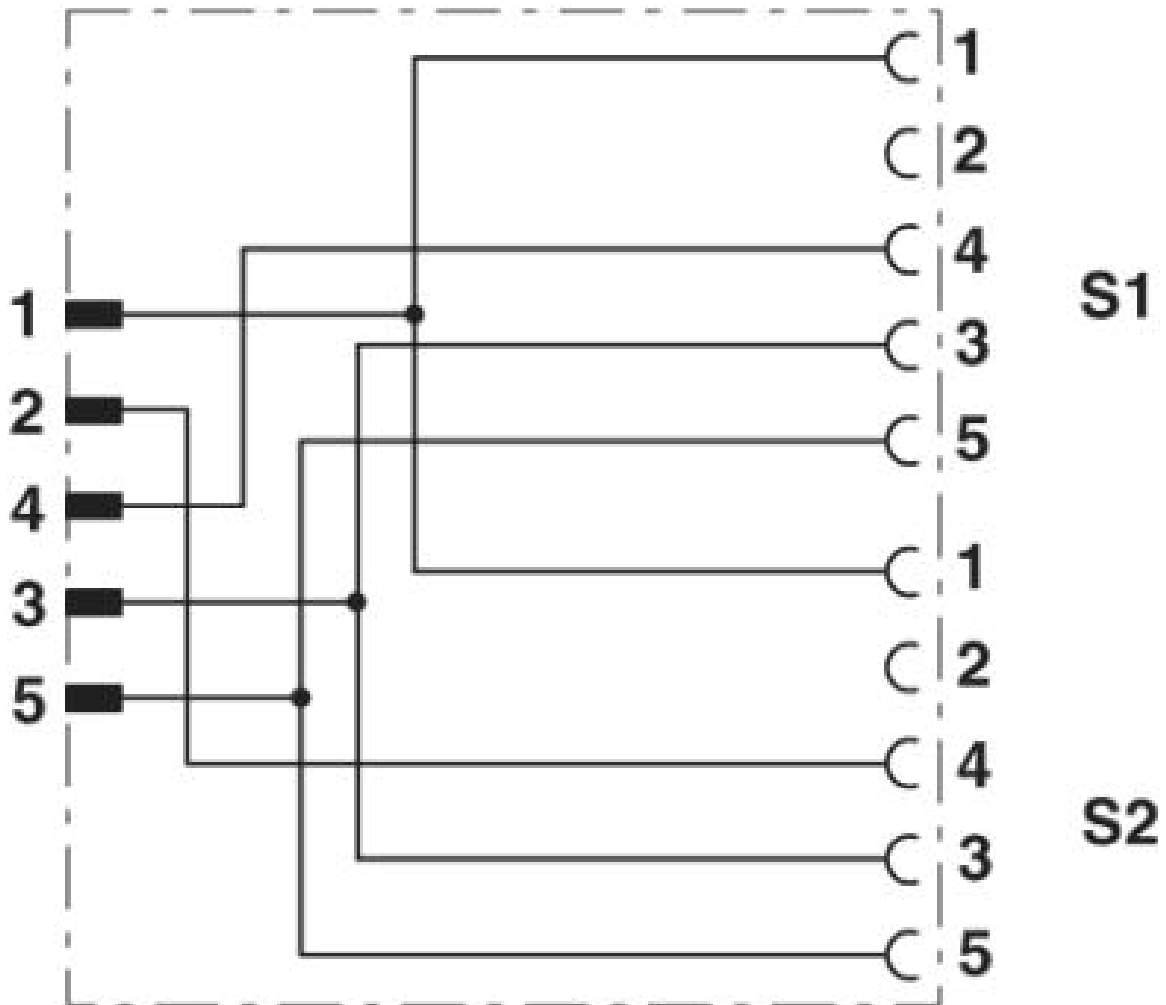
Dimensioned drawing



Plug M12 x 1, Y distributor

Y distributor - SAC-3P-M12Y/2XM12FS PE - 1683455

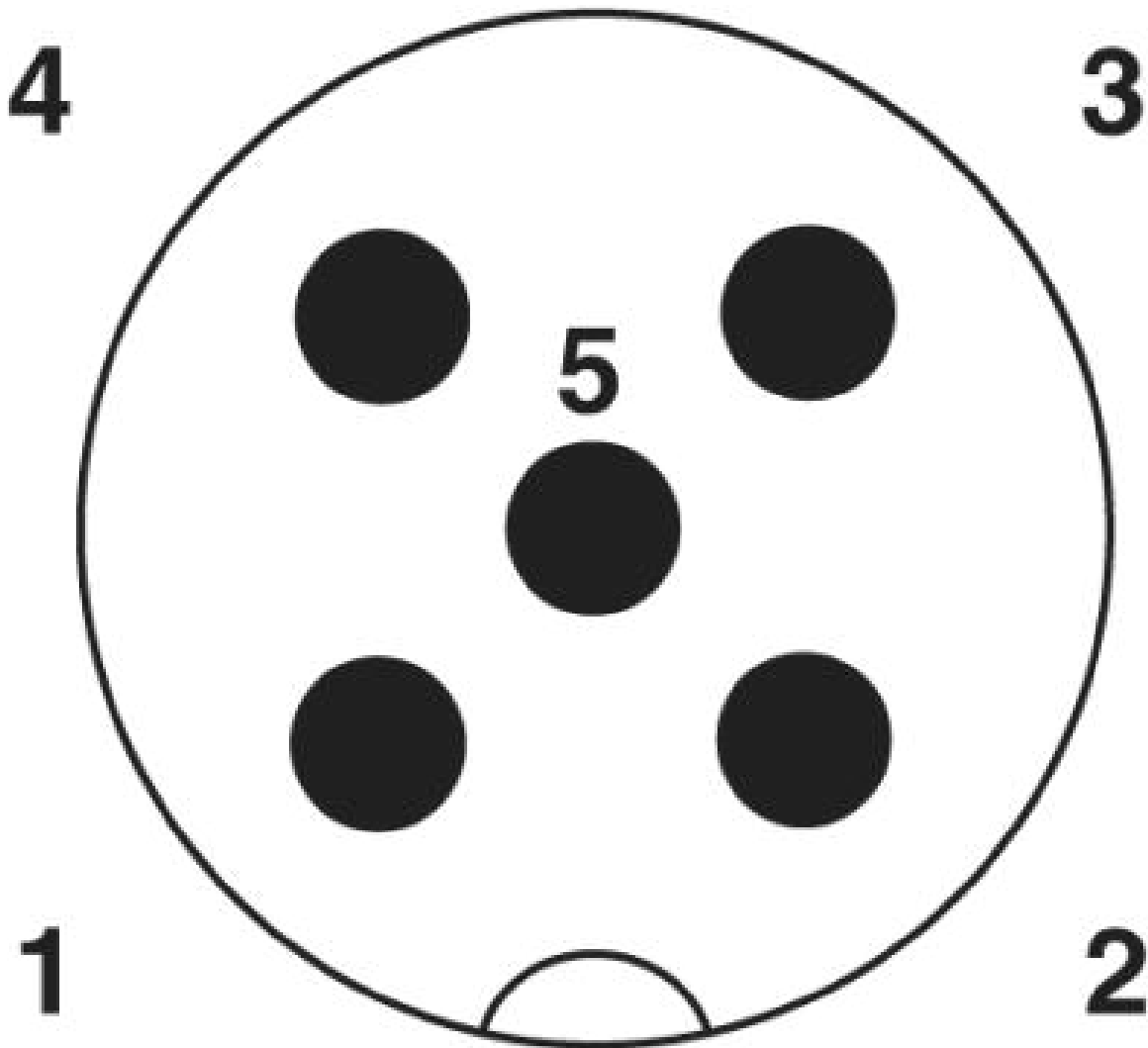
Circuit diagram



Contact assignment of the M12 Y distributor

Y distributor - SAC-3P-M12Y/2XM12FS PE - 1683455

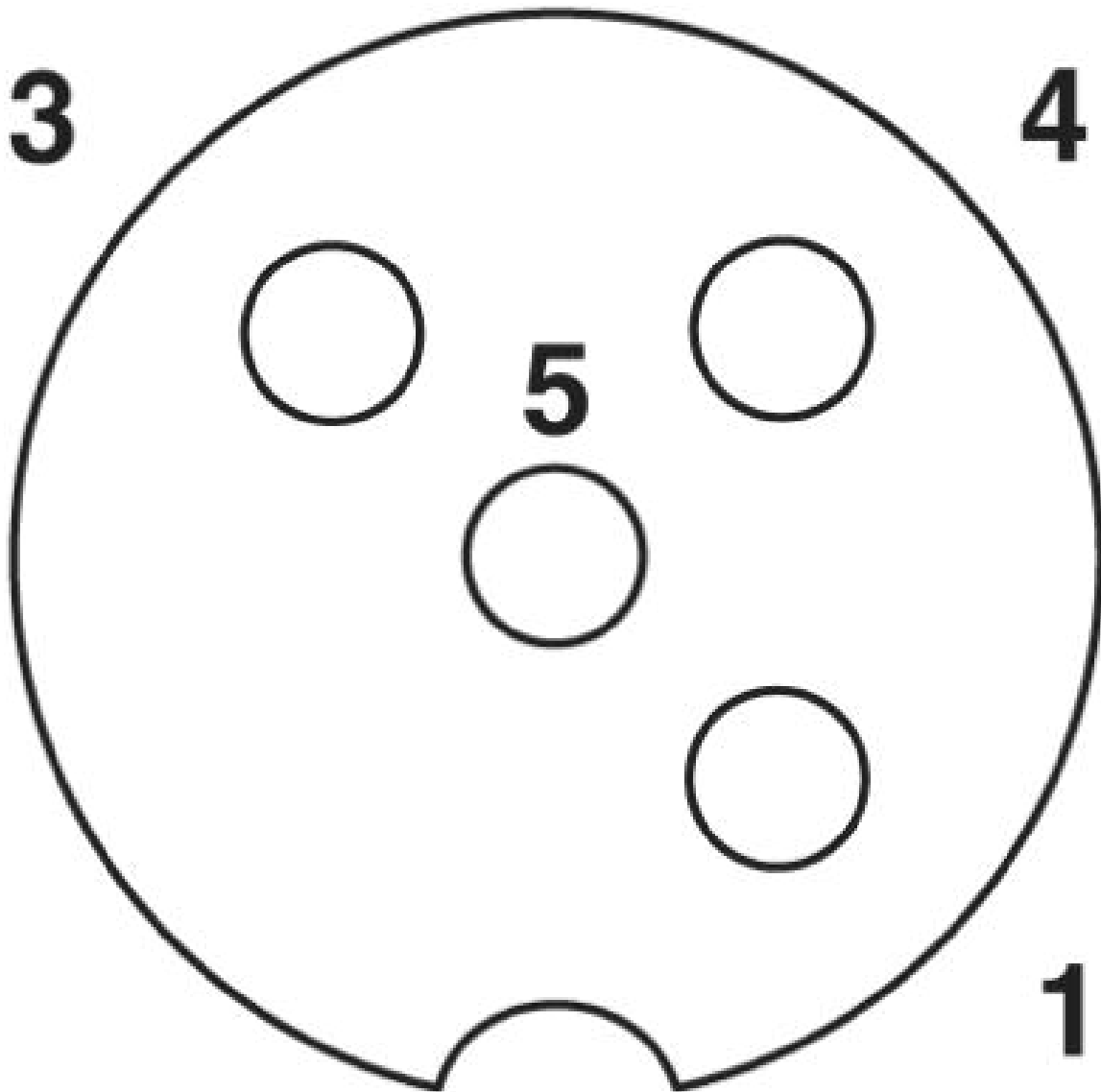
Schematic diagram



Pin assignment M12 male connector, 5-pos., A-coded, male side

Y distributor - SAC-3P-M12Y/2XM12FS PE - 1683455

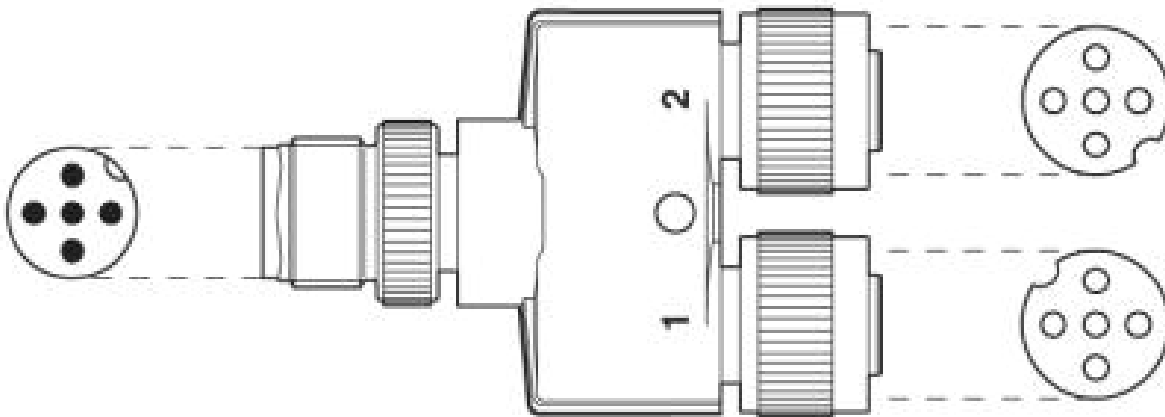
Schematic diagram



Pin assignment socket M 12, 3-pos. + PE

Y distributor - SAC-3P-M12Y/2XM12FS PE - 1683455

Schematic diagram



Layout of connector pin assignments

© Phoenix Contact 2014 - all rights reserved
<http://www.phoenixcontact.com>