

# Y distributor - SAC-5P-M12YF/M12FS-M12MS VP - 1526253

Please be informed that the data shown in this PDF Document is generated from our Online Catalog. Please find the complete data in the user's documentation. Our General Terms of Use for Downloads are valid (<http://download.phoenixcontact.com>)



Y distributor, 5-position, Socket straight M12, A-coded, on Socket straight M12, A-coded and Plug straight M12, A-coded, Parallel distributor

As illustrated but with green handle

## Key commercial data

package_quantity	5
GTIN	4017918954291

## Technical data

### Dimensions

Center distance	18 mm
-----------------	-------

### Ambient conditions

Degree of protection	IP65
Degree of protection	IP67
Degree of protection	IP68

### General

Rated current at 40°C	4 A
Rated voltage	60 V
Number of positions	5
Contact resistance	≤ 5 mΩ
Insulation resistance	≥ 100 MΩ
Coding	A - standard
Status display	No
Surge voltage category	II
Pollution degree	3
Insertion/withdrawal cycles	≥ 100

### Material

Inflammability class according to UL 94	HB
Contact material	CuZn
Contact surface material	Ni/Au
Contact carrier material	TPU GF
Material of grip body	TPU, hardly inflammable, self-extinguishing

## Y distributor - SAC-5P-M12YF/M12FS-M12MS VP - 1526253

### Technical data

#### Material

<b>Material, knurls</b>	Zinc die-cast, nickel-plated
<b>Sealing material</b>	NBR

### classifications

#### eCl@ss

<b>eCl@ss 4.0</b>	27060306
<b>eCl@ss 4.1</b>	27060306
<b>eCl@ss 5.0</b>	27061801
<b>eCl@ss 5.1</b>	27061801
<b>eCl@ss 6.0</b>	27061801
<b>eCl@ss 7.0</b>	27061801
<b>eCl@ss 8.0</b>	27061801

#### ETIM

<b>ETIM 2.0</b>	EC000830
<b>ETIM 3.0</b>	EC001855
<b>ETIM 4.0</b>	EC001855
<b>ETIM 5.0</b>	EC001855

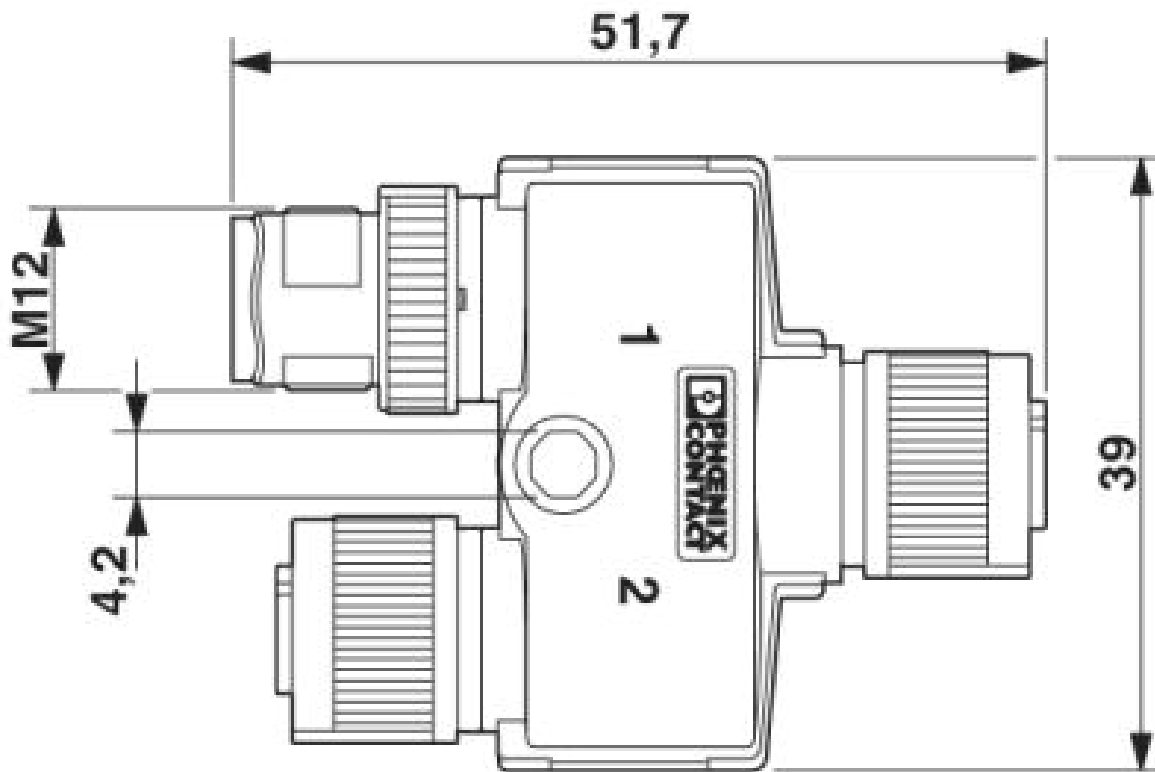
#### UNSPSC

<b>UNSPSC 6.01</b>	31251501
<b>UNSPSC 7.0901</b>	31251501
<b>UNSPSC 11</b>	31251501
<b>UNSPSC 12.01</b>	31251501
<b>UNSPSC 13.2</b>	31251501

### Drawings

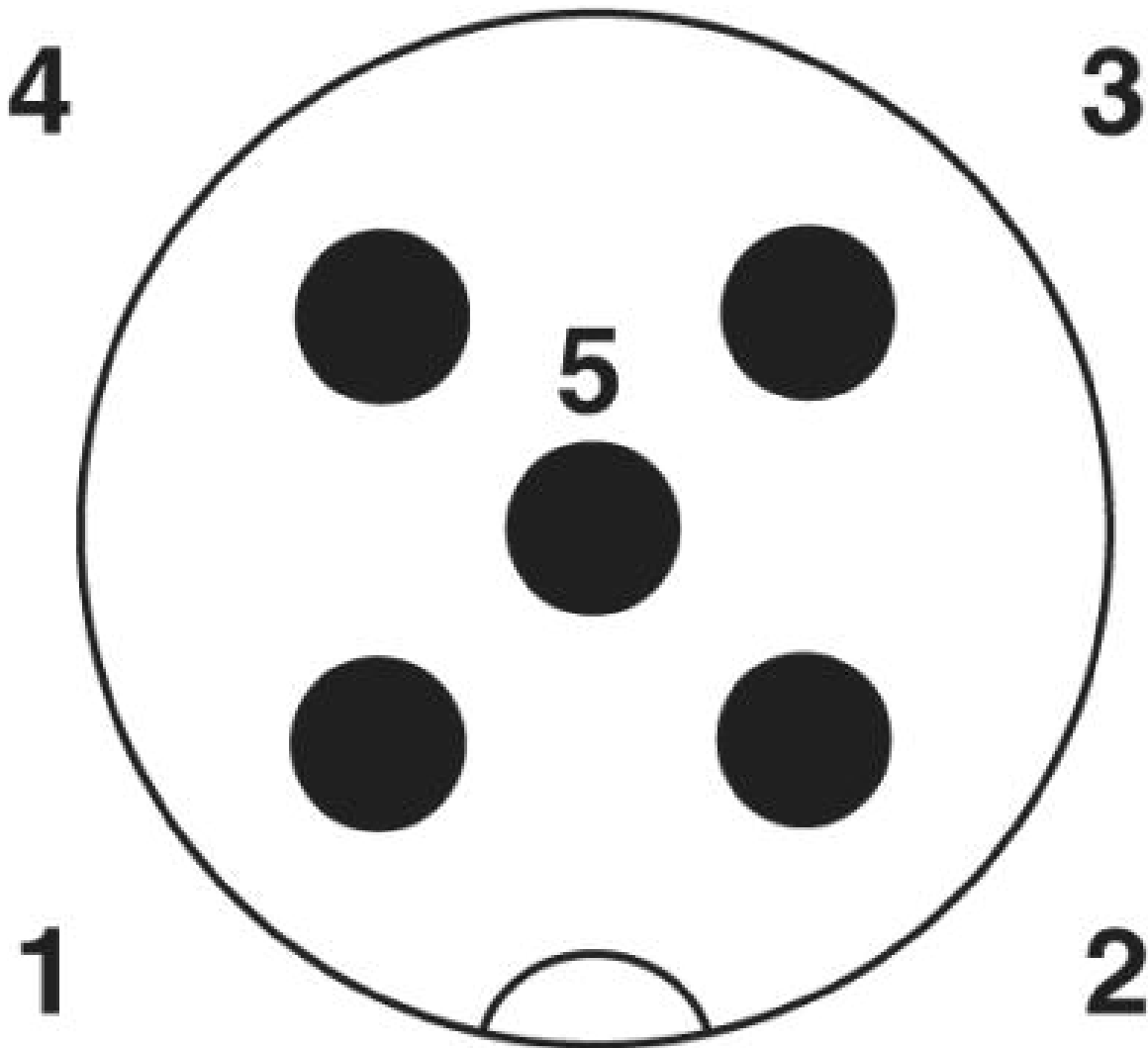
# Y distributor - SAC-5P-M12YF/M12FS-M12MS VP - 1526253

Dimensioned drawing



# Y distributor - SAC-5P-M12YF/M12FS-M12MS VP - 1526253

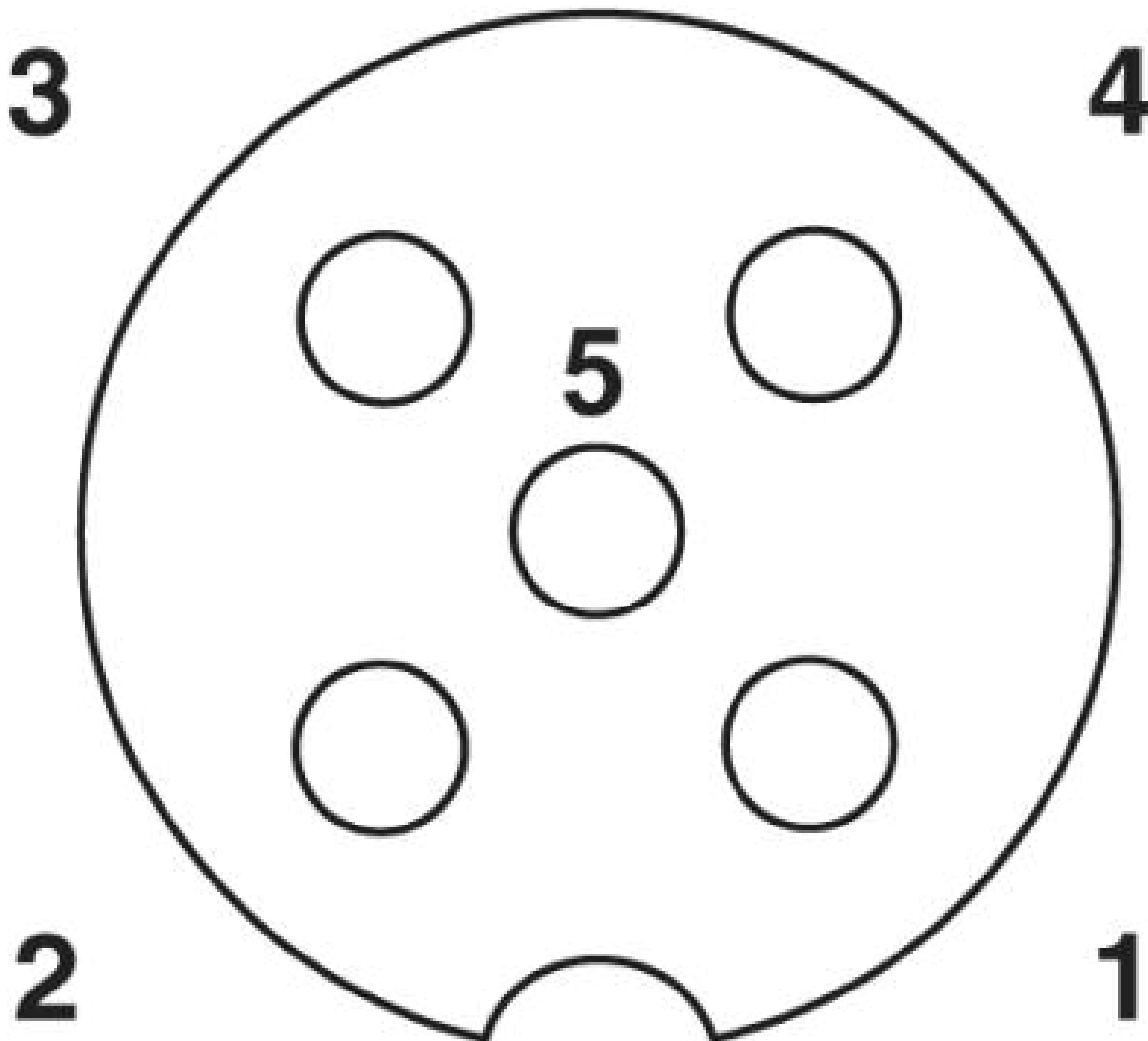
Schematic diagram



Pin assignment M12 male connector, 5-pos., A-coded, male side

# Y distributor - SAC-5P-M12YF/M12FS-M12MS VP - 1526253

Schematic diagram



Pin assignment M12 socket, 5-pos., A-coded, socket side view

© Phoenix Contact 2014 - all rights reserved  
<http://www.phoenixcontact.com>