

# Y distributor - SAC-3P-M12Y/2XM12FS PE S21 - 1511789

Please be informed that the data shown in this PDF Document is generated from our Online Catalog. Please find the complete data in the user's documentation. Our General Terms of Use for Downloads are valid (<http://download.phoenixcontact.com>)



Y-distributor, 3-pos. +PE, straight plug M12 on 2 x straight socket M12, inner gauge of 21 mm

The illustration shows the green standard version

## Key commercial data

package_quantity	5
GTIN	4017918943516

## Technical data

### Dimensions

Center distance	21 mm
-----------------	-------

### Ambient conditions

Ambient temperature (operation)	-25 °C ... 90 °C (Plug / socket)
Degree of protection	IP65
Degree of protection	IP67

### General

Rated current at 40°C	4 A
Rated voltage	60 V
Number of positions	3
Contact resistance	≤ 5 mΩ
Insulation resistance	≥ 100 MΩ
Coding	A - standard
Standards/regulations	M12 connector IEC 61076-2-101
Status display	No
Surge voltage category	II
Pollution degree	3
Insertion/withdrawal cycles	≥ 100
Torque	0.4 Nm (M12 connector)

### Material

Inflammability class according to UL 94	HB
Contact material	CuZn
Contact surface material	Ni/Au

# Y distributor - SAC-3P-M12Y/2XM12FS PE S21 - 1511789

## Technical data

### Material

Contact carrier material	TPU GF
Material of grip body	TPU, hardly inflammable, self-extinguishing
Material, knurls	Zinc die-cast, nickel-plated
Sealing material	NBR

## classifications

### eCl@ss

eCl@ss 4.0	27060306
eCl@ss 4.1	27060306
eCl@ss 5.0	27061801
eCl@ss 5.1	27061801
eCl@ss 6.0	27061801
eCl@ss 7.0	27061801
eCl@ss 8.0	27061801

### ETIM

ETIM 2.0	EC000830
ETIM 3.0	EC001855
ETIM 4.0	EC001855
ETIM 5.0	EC001855

### UNSPSC

UNSPSC 6.01	31251501
UNSPSC 7.0901	31251501
UNSPSC 11	31251501
UNSPSC 12.01	31251501
UNSPSC 13.2	31251501

## approvals

GOST /

### Approval details



## accessories

### Torque tool

# Y distributor - SAC-3P-M12Y/2XM12FS PE S21 - 1511789

## accessories

TSD 04 SAC - 1208429



---

### Screwdriver tools

SAC BIT M12-D15 - 1208432



---

### Protective cap

PROT-M12 - 1680539



PROT-M12 FS - 1560251

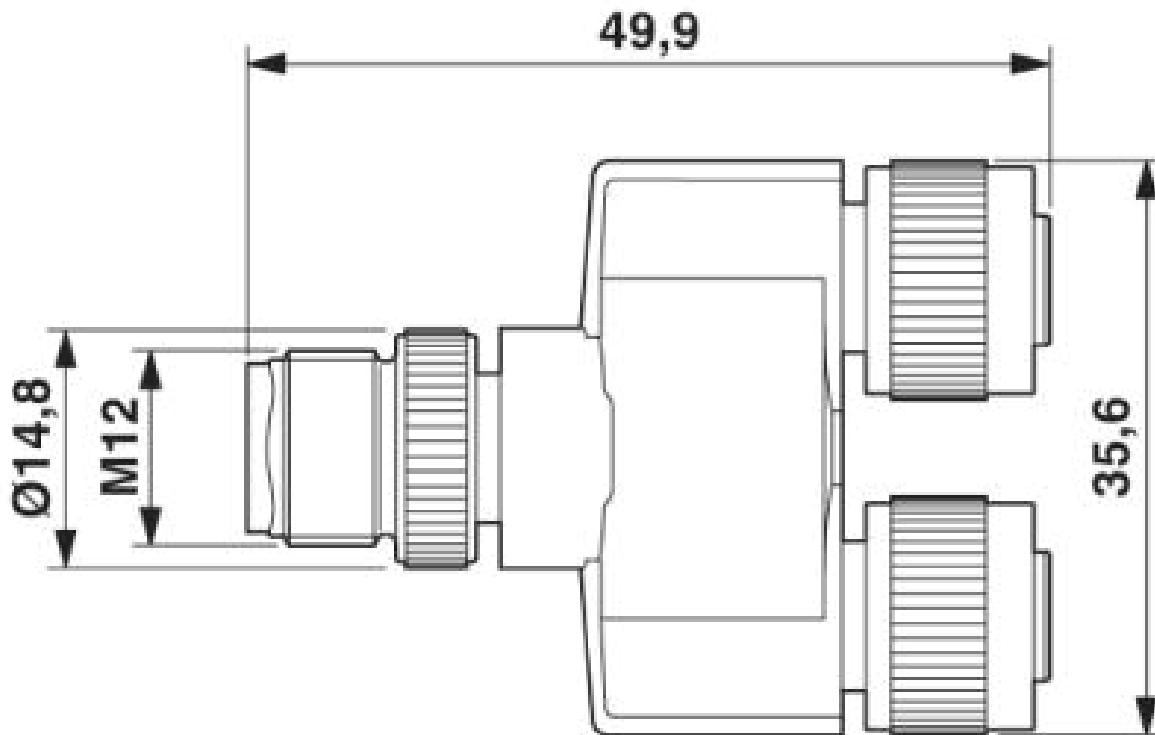


---

### Drawings

# Y distributor - SAC-3P-M12Y/2XM12FS PE S21 - 1511789

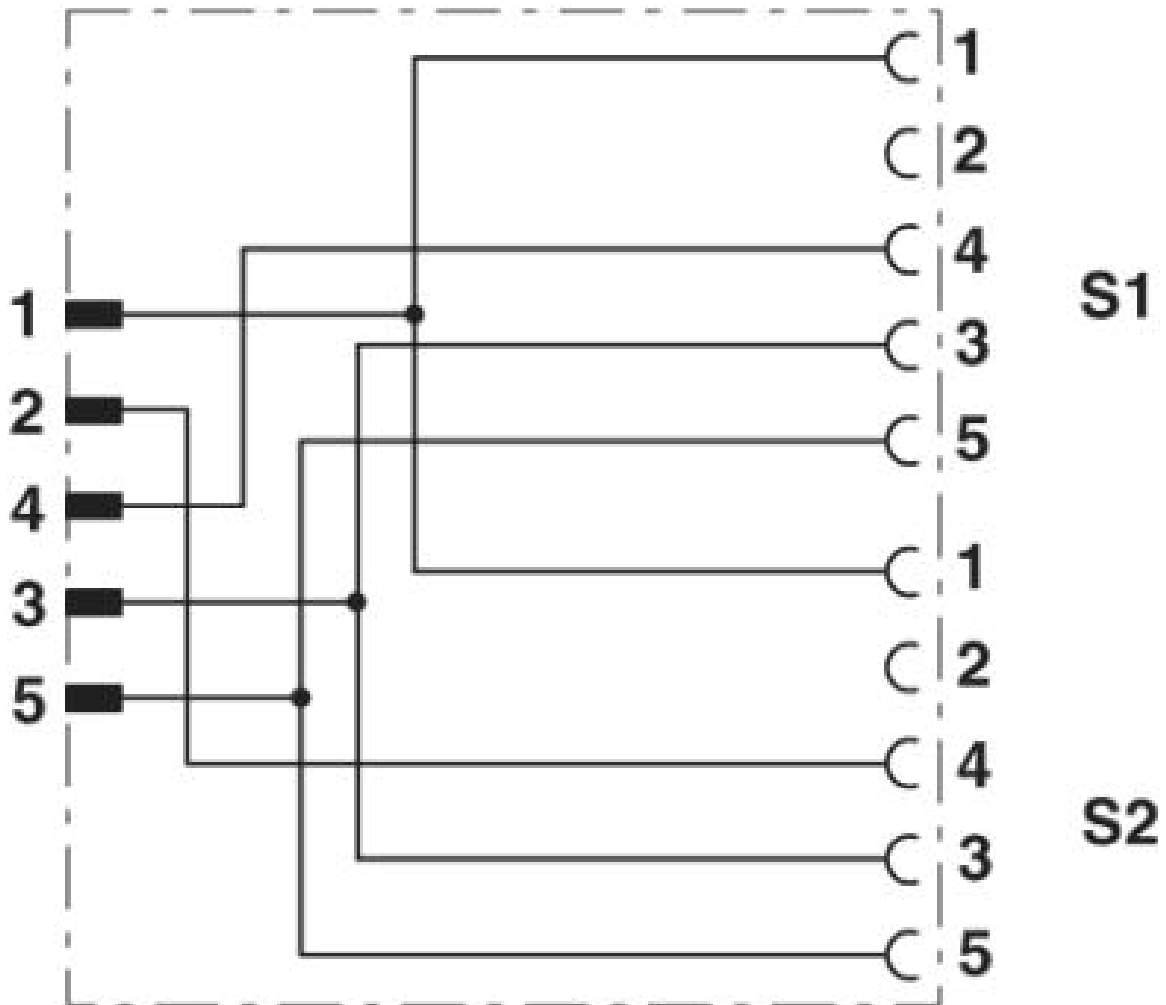
Dimensioned drawing



Plug M12 x 1, Y distributor, inner gauge of 21 mm

# Y distributor - SAC-3P-M12Y/2XM12FS PE S21 - 1511789

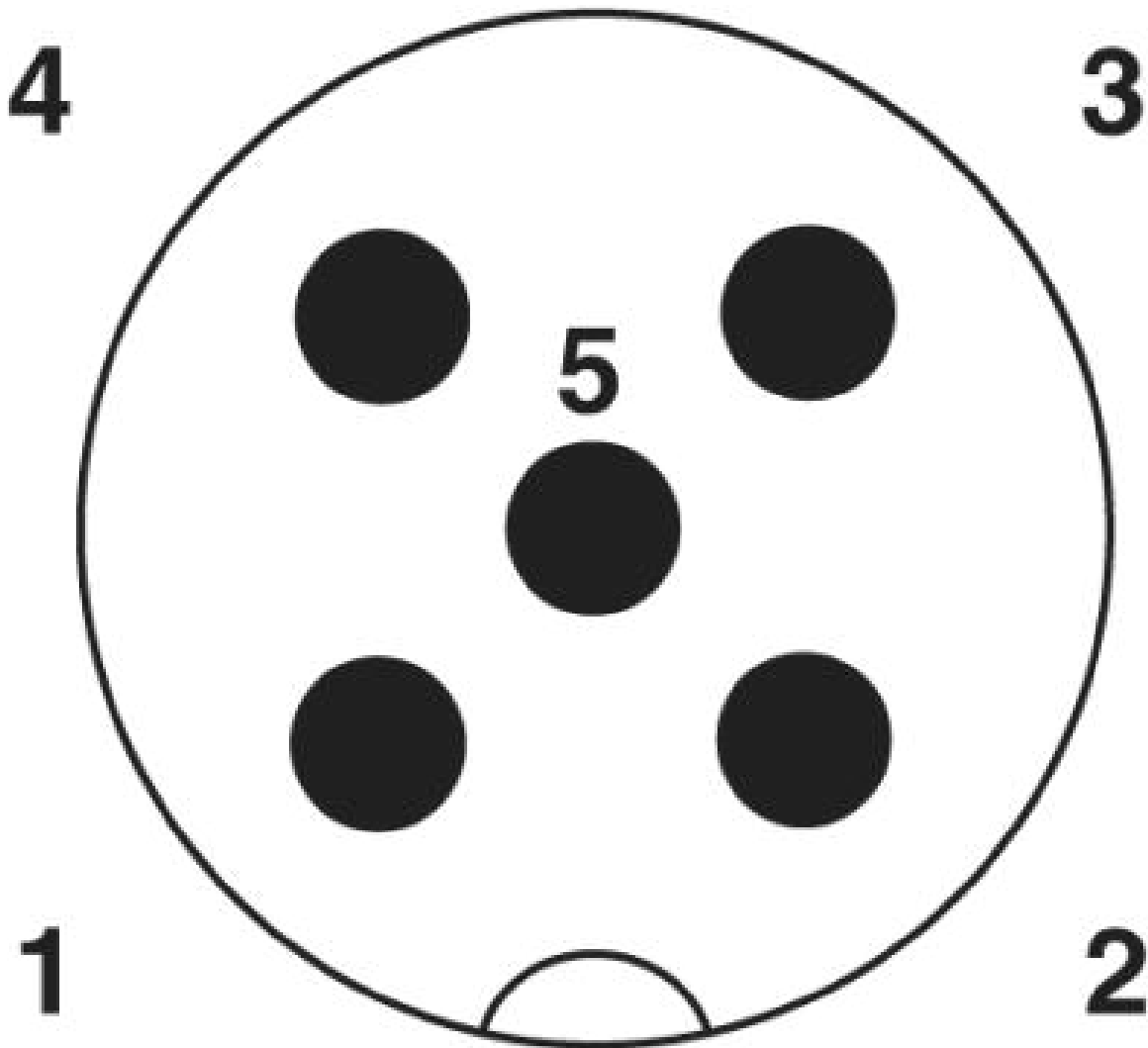
Circuit diagram



Contact assignment of the M12 Y distributor

# Y distributor - SAC-3P-M12Y/2XM12FS PE S21 - 1511789

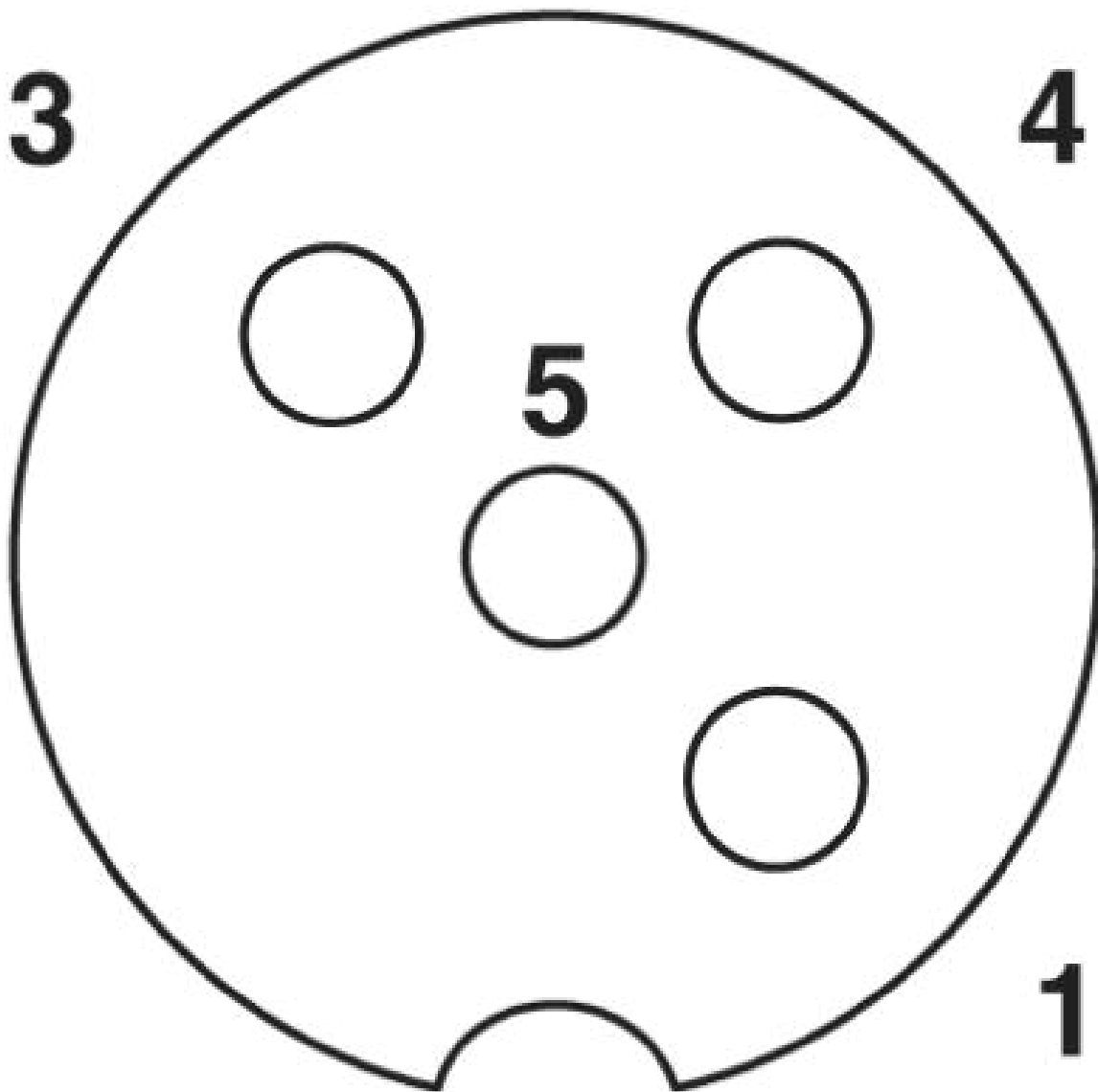
Schematic diagram



Pin assignment M12 male connector, 5-pos., A-coded, male side

# Y distributor - SAC-3P-M12Y/2XM12FS PE S21 - 1511789

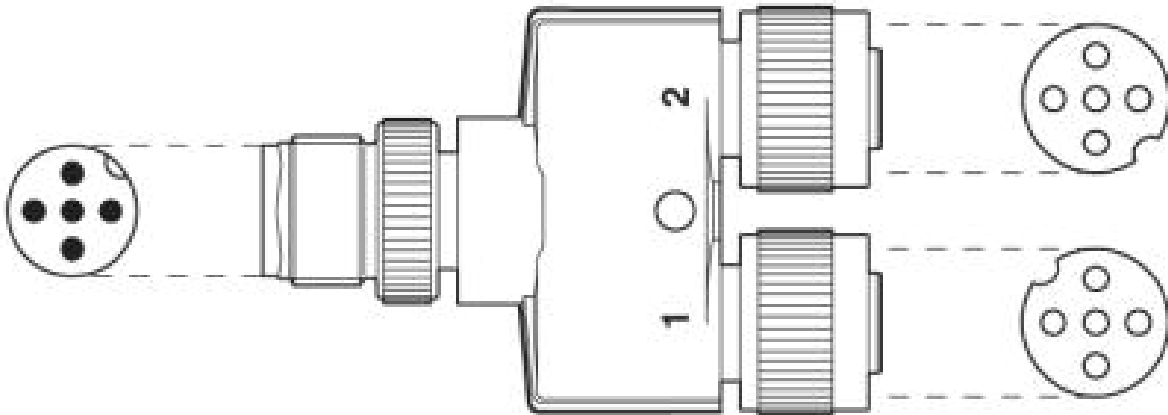
Schematic diagram



Pin assignment socket M 12, 3-pos. + PE

# Y distributor - SAC-3P-M12Y/2XM12FS PE S21 - 1511789

Schematic diagram



Layout of connector pin assignments

© Phoenix Contact 2014 - all rights reserved  
<http://www.phoenixcontact.com>