

# Y distributor - SAC-3P-M12Y/2XM12FS-3L - 1501304

Please be informed that the data shown in this PDF Document is generated from our Online Catalog. Please find the complete data in the user's documentation. Our General Terms of Use for Downloads are valid (<http://download.phoenixcontact.com>)



Y distributor, 3-position, Plug straight M12, A-coded, on Socket straight M12, A-coded and Socket straight M12, A-coded, with 3 LEDs

## Key commercial data

package_quantity	5
GTIN	4017918976347

## Technical data

### Dimensions

Center distance	18 mm
-----------------	-------

### Ambient conditions

Ambient temperature (operation)	-25 °C ... 90 °C
Degree of protection	IP65
Degree of protection	IP67
Degree of protection	IP68

### General

Note	with center distance of 18 mm, suitable for molded connectors and unshielded connectors that can be assembled with QUICKON IDC terminal block connection technology and a connection range of 0.14 mm <sup>2</sup> to 0.34 mm <sup>2</sup>
Rated current at 40°C	4 A
Rated voltage	24 V
Number of positions	3
Contact resistance	≤ 5 mΩ
Insulation resistance	≥ 10 GΩ
Coding	A - standard
Standards/regulations	M12 connector IEC 61076-2-101
Status display	3 LEDs
Surge voltage category	II
Pollution degree	3
Insertion/withdrawal cycles	≥ 100
Torque	0.4 Nm (M12 connector)

### Material

# Y distributor - SAC-3P-M12Y/2XM12FS-3L - 1501304

## Technical data

### Material

<b>Inflammability class according to UL 94</b>	HB
<b>Contact material</b>	CuZn
<b>Contact surface material</b>	Ni/Au
<b>Contact carrier material</b>	TPU GF
<b>Material of grip body</b>	TPU, hardly inflammable, self-extinguishing
<b>Material, knurls</b>	Zinc die-cast, nickel-plated
<b>Sealing material</b>	NBR

## classifications

### eCl@ss

<b>eCl@ss 4.0</b>	27060306
<b>eCl@ss 4.1</b>	27060306
<b>eCl@ss 5.0</b>	27061801
<b>eCl@ss 5.1</b>	27061801
<b>eCl@ss 6.0</b>	27061801

### ETIM

<b>ETIM 2.0</b>	EC000830
<b>ETIM 3.0</b>	EC001855
<b>ETIM 4.0</b>	EC001855
<b>ETIM 5.0</b>	EC001855

### UNSPSC

<b>UNSPSC 6.01</b>	31251501
<b>UNSPSC 7.0901</b>	31251501
<b>UNSPSC 11</b>	31251501
<b>UNSPSC 12.01</b>	31251501
<b>UNSPSC 13.2</b>	31251501

## approvals

GOST /

### Approval details


---

## accessories

### Torque tool

## Y distributor - SAC-3P-M12Y/2XM12FS-3L - 1501304

### accessories

TSD 04 SAC - 1208429



---

### Screwdriver tools

SAC BIT M12-D15 - 1208432



---

### Protective cap

PROT-M12 - 1680539



PROT-M12 FS - 1560251

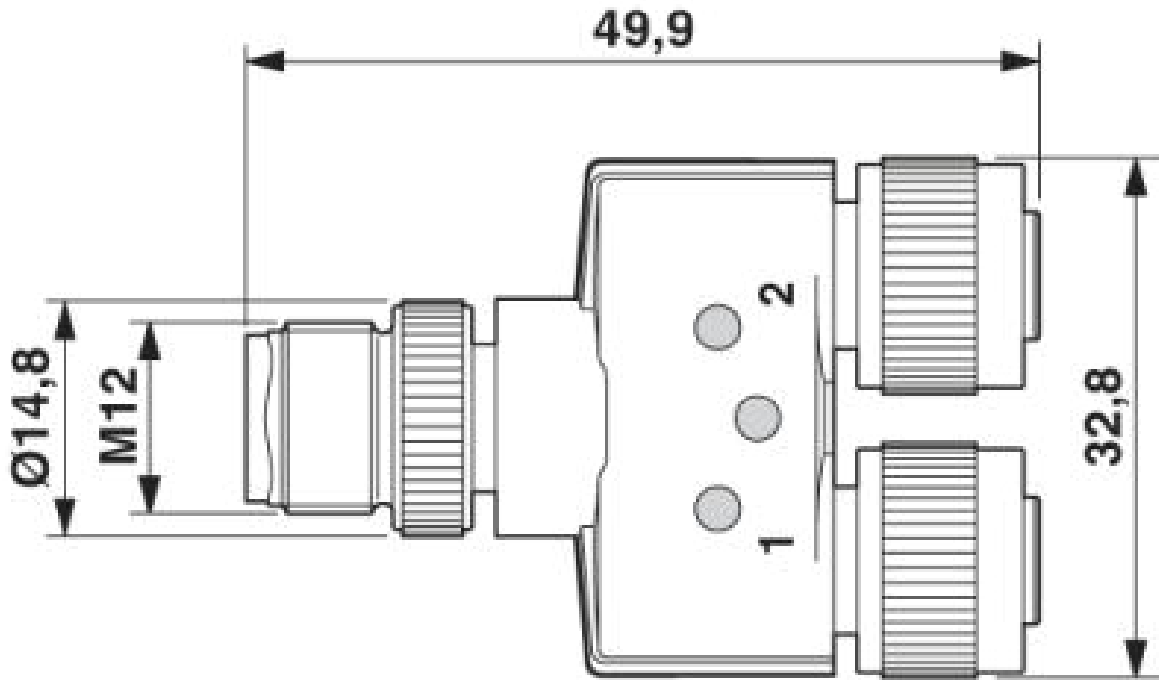


---

### Drawings

# Y distributor - SAC-3P-M12Y/2XM12FS-3L - 1501304

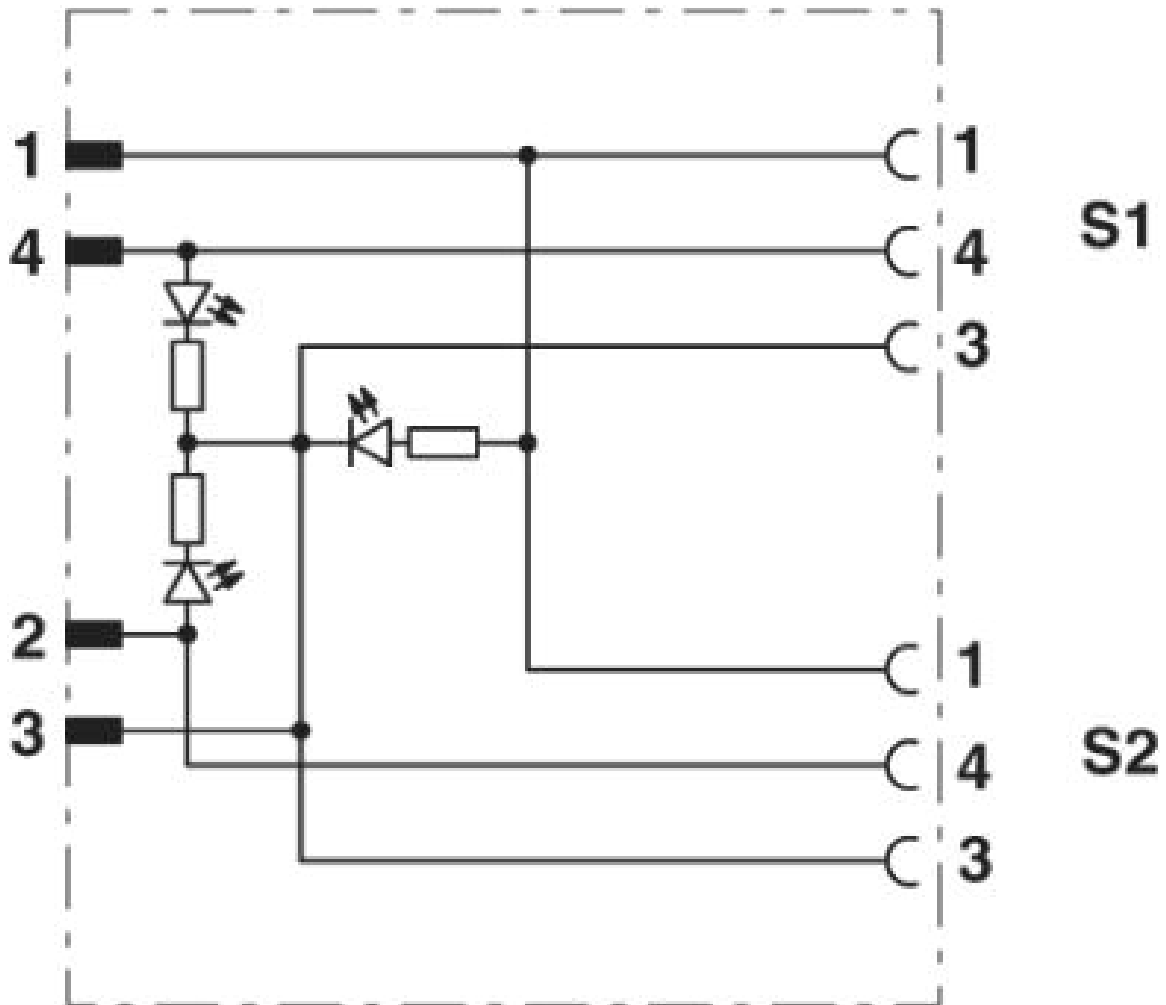
Dimensioned drawing



M12 Y distributor

# Y distributor - SAC-3P-M12Y/2XM12FS-3L - 1501304

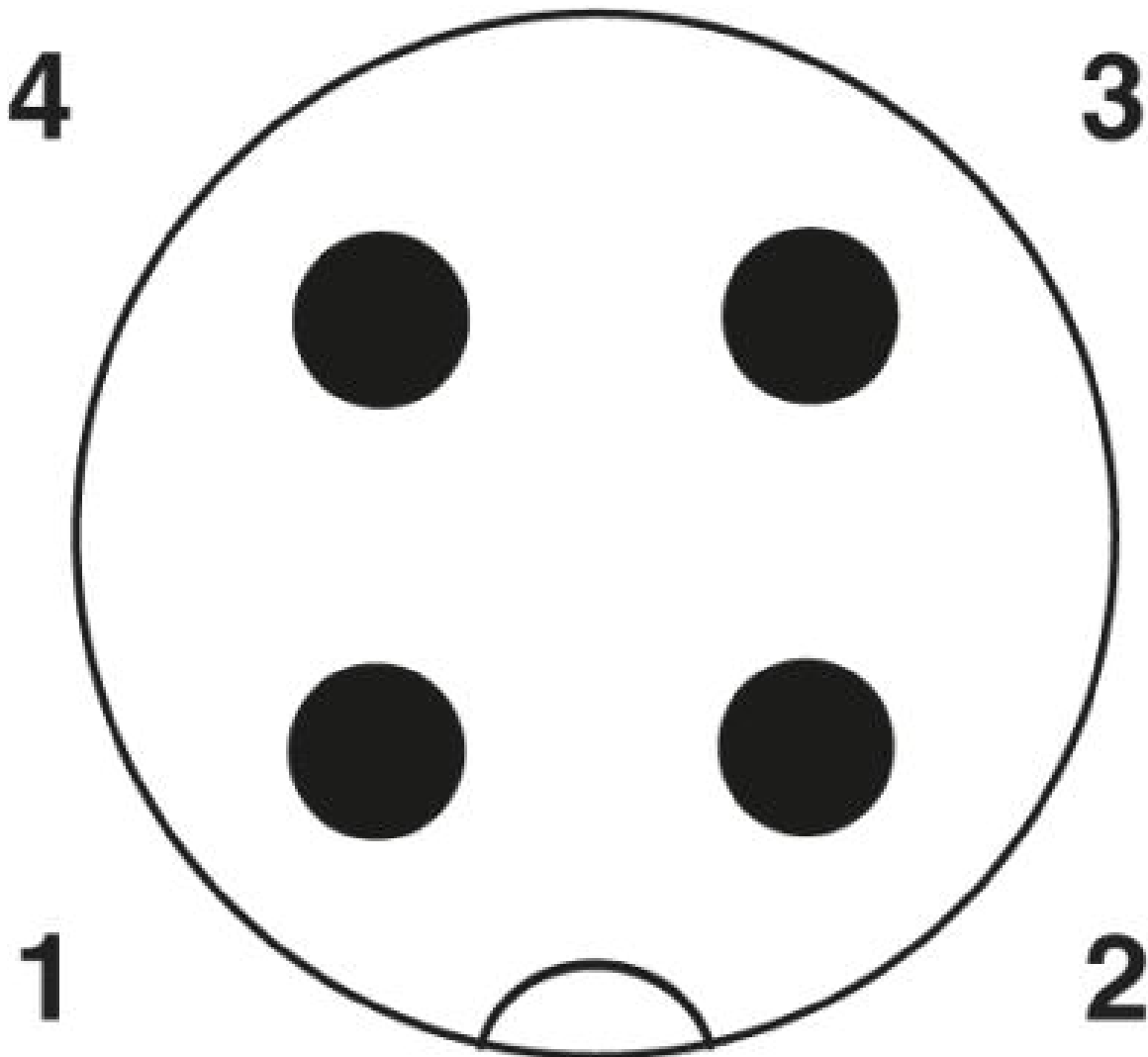
Circuit diagram



Contact assignment of the M12 Y distributor

# Y distributor - SAC-3P-M12Y/2XM12FS-3L - 1501304

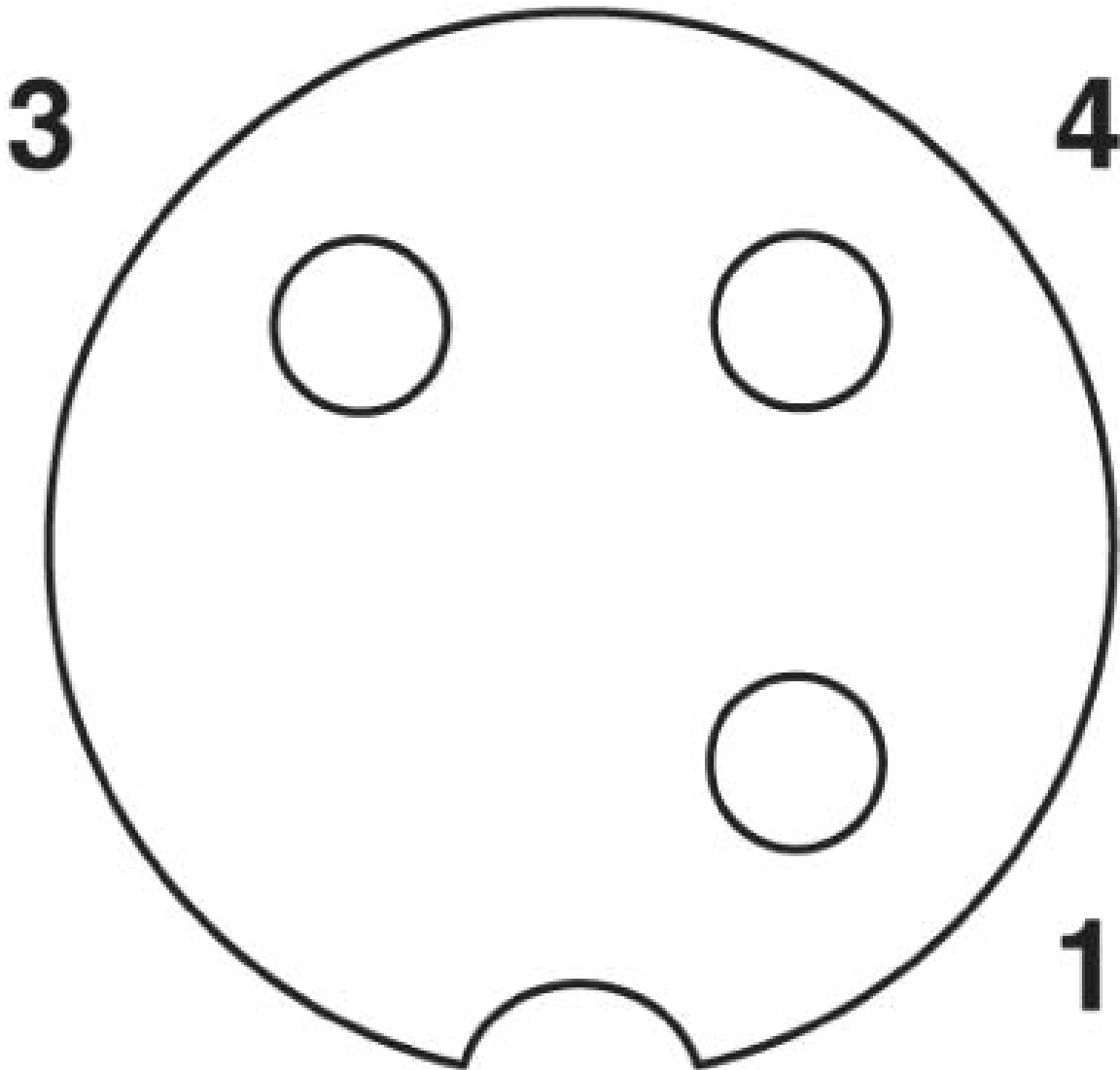
Schematic diagram



Pin assignment M12 plug, 4-pos., A-coded, view plug side

# Y distributor - SAC-3P-M12Y/2XM12FS-3L - 1501304

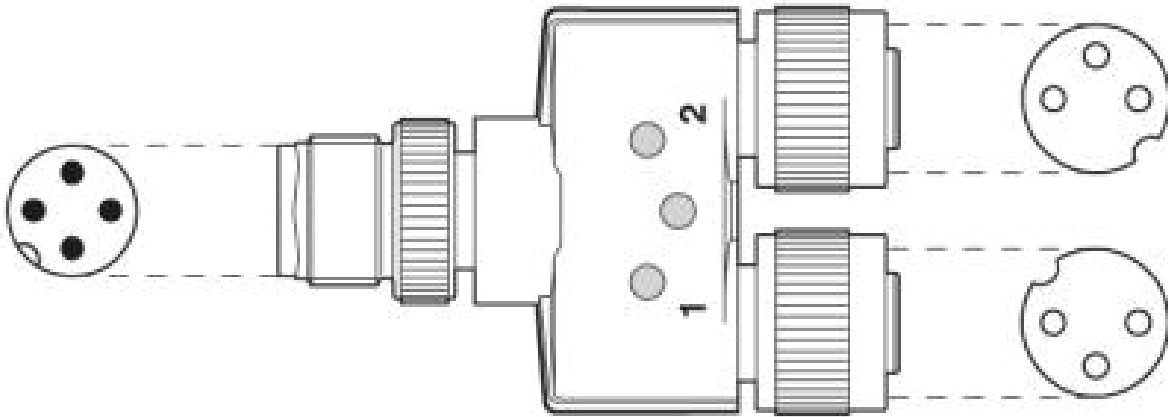
Schematic diagram



Pin assignment M12 socket, 3-pos., A-coded, view female side

## Y distributor - SAC-3P-M12Y/2XM12FS-3L - 1501304

Schematic diagram



Layout of connector pin assignments

© Phoenix Contact 2014 - all rights reserved  
<http://www.phoenixcontact.com>