

Connector - SACC-M12MS-4CON-PG 7-SH - 1693830

Please be informed that the data shown in this PDF Document is generated from our Online Catalog. Please find the complete data in the user's documentation. Our General Terms of Use for Downloads are valid (<http://download.phoenixcontact.com>)



Sensor/actuator connector, male, straight, 4-pos., M12, shielded, A-coded, screw connection, metal knurl, cable screw connection Pg7

Product Features

- Safe use in the field, thanks to a high degree of protection
- Flexible: connectors for on-site assembly
- Screw connection: proven connection technology for a large selection of different conductors
- Reliable signal transmission - 360° shielding in environments with electromagnetic interference

Key commercial data

| | |
|------------------|---------------|
| package_quantity | 1 |
| GTIN | 4017918188689 |

Technical data

Dimensions

| | |
|---|---------------|
| External diameter | 4 mm ... 6 mm |
| Stripping length of the sheath | 35 mm |
| Stripping length of the individual wire | 5 mm |

Ambient conditions

| | |
|---------------------------------|----------------------------------|
| Ambient temperature (operation) | -40 °C ... 85 °C (Plug / socket) |
| Degree of protection | IP67 |

General

| | |
|-------------------------|---|
| Rated current at 40°C | 4 A |
| Rated voltage | 60 V |
| Number of positions | 4 |
| Contact resistance | ≤ 3 mΩ |
| Insulation resistance | ≥ 100 MΩ |
| Coding | A - standard |
| Standards/regulations | M12 connector IEC 61076-2-101 |
| Status display | No |
| Surge voltage category | II |
| Pollution degree | 3 |
| Connection method | Screw connection |
| Conductor cross section | 0.25 mm ² ... 0.75 mm ² |

Connector - SACC-M12MS-4CON-PG 7-SH - 1693830

Technical data

General

| | |
|------------------------------------|--|
| AWG conductor cross section | 24 ... 18 |
| Insertion/withdrawal cycles | ≥ 100 |
| Torque | 0.4 Nm (M12 knurl) |
| Torque | 0.2 Nm (Screw terminal blocks) |
| Torque | 0.8 Nm ... 1 Nm (Pressure screw) |
| Tightening torque | Screw plug insert with sleeve housing as far it will go |
| Assembly instructions | The wires can be connected both with ferrules and without ferrules |

Material

| | |
|--|------------------------------|
| Inflammability class according to UL 94 | HB |
| Contact material | CuZn |
| Contact surface material | Au |
| Contact carrier material | PA 66 |
| Material of grip body | Zinc die-cast, nickel-plated |
| Material, knurls | Nickel-plated brass |
| Sealing material | NBR |

classifications

eCl@ss

| | |
|-------------------|----------|
| eCl@ss 4.0 | 27140815 |
| eCl@ss 4.1 | 27140815 |
| eCl@ss 5.0 | 27143423 |
| eCl@ss 5.1 | 27143423 |
| eCl@ss 6.0 | 27143423 |
| eCl@ss 7.0 | 27449001 |
| eCl@ss 8.0 | 27449001 |

ETIM

| | |
|-----------------|----------|
| ETIM 2.0 | EC001121 |
| ETIM 3.0 | EC002062 |
| ETIM 4.0 | EC002062 |
| ETIM 5.0 | EC002062 |

UNSPSC

| | |
|----------------------|----------|
| UNSPSC 6.01 | 31251501 |
| UNSPSC 7.0901 | 31251501 |
| UNSPSC 11 | 31251501 |
| UNSPSC 12.01 | 31251501 |
| UNSPSC 13.2 | 31251501 |

Connector - SACC-M12MS-4CON-PG 7-SH - 1693830

approvals

GOST / GOST / UL Recognized / cUL Recognized / cULus Recognized /

Approval details

GOST

UL Recognized

| | |
|----------------------------|------|
| Nominal voltage UN | 60 V |
| Nominal current IN | 4 A |
| mm ² /AWG/kcmil | |

cUL Recognized

| | |
|----------------------------|------|
| Nominal voltage UN | 60 V |
| Nominal current IN | 4 A |
| mm ² /AWG/kcmil | |

cULus Recognized

accessories

Torque tool

TSD 04 SAC - 1208429



Connector - SACC-M12MS-4CON-PG 7-SH - 1693830

accessories

TSD-M 1,2NM - 1212224



Screwdriver tools

SACC BIT M12-D20 - 1208445



TSD-M SAC-BIT ADAPTER - 1212600



Protective cap

PROT-M12 FS-PA-CHAIN - 1430873



Cable by the meter

SAC-4P-100,0-PUR/SH-0,25 - 1535794



Connector - SACC-M12MS-4CON-PG 7-SH - 1693830

accessories

SAC-4P-100,0-PUR/SH-0,34 - 1501715



Connector

A 0,25- 5 - 3202465



Crimping tool

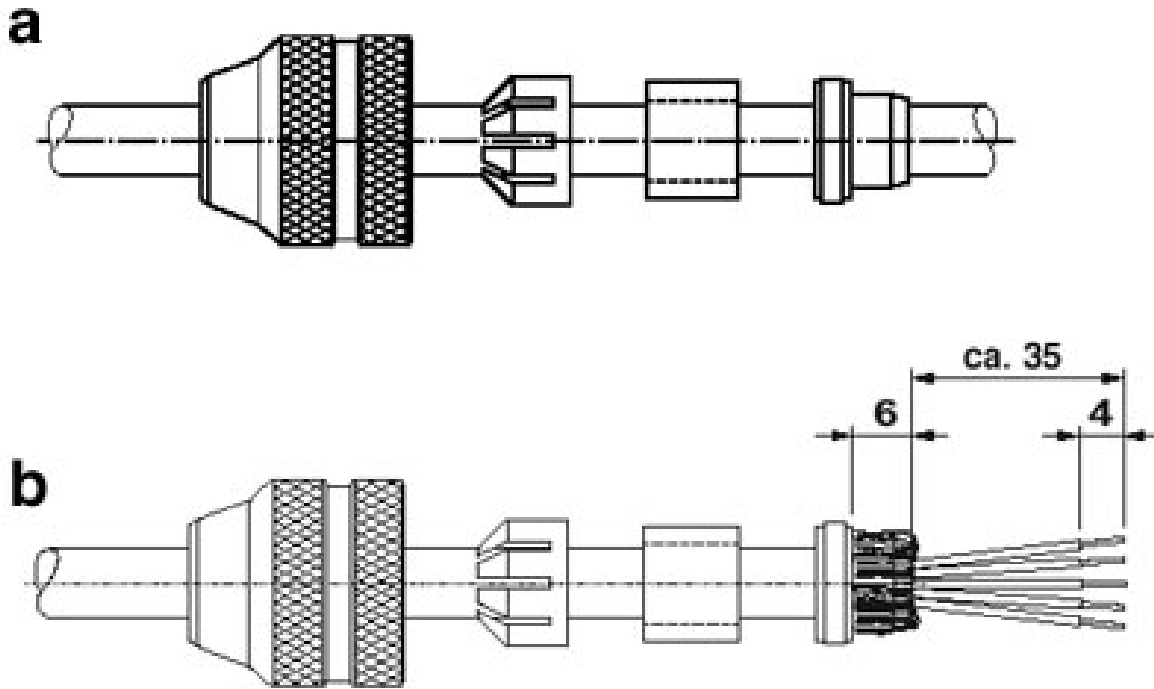
CRIMPFOX 6H - 1212046



Drawings

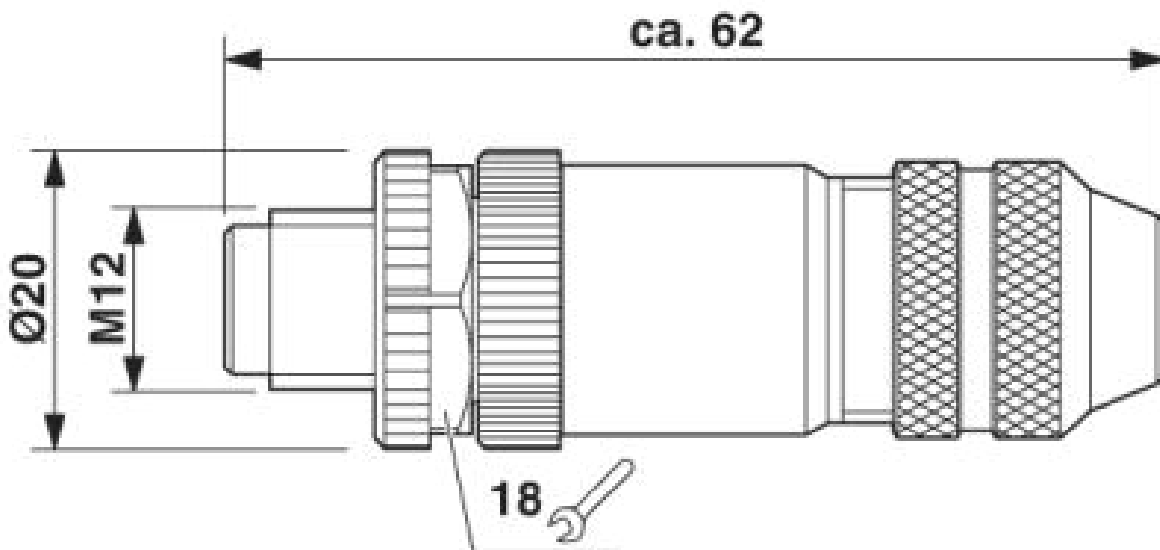
Connector - SACC-M12MS-4CON-PG 7-SH - 1693830

Functional drawing



Assembly steps for M12 male/female plug and conductor = Slide on parts b = Strip conductor, widen shield and lay around the shielding ring, cut off projecting mesh. Slide cores through the housing. Mount shielding ring, gasket and clamping cage. Tighten pressure screw to fix the cable. Screw down cores. Mount male/female part. Tighten pressure screw.

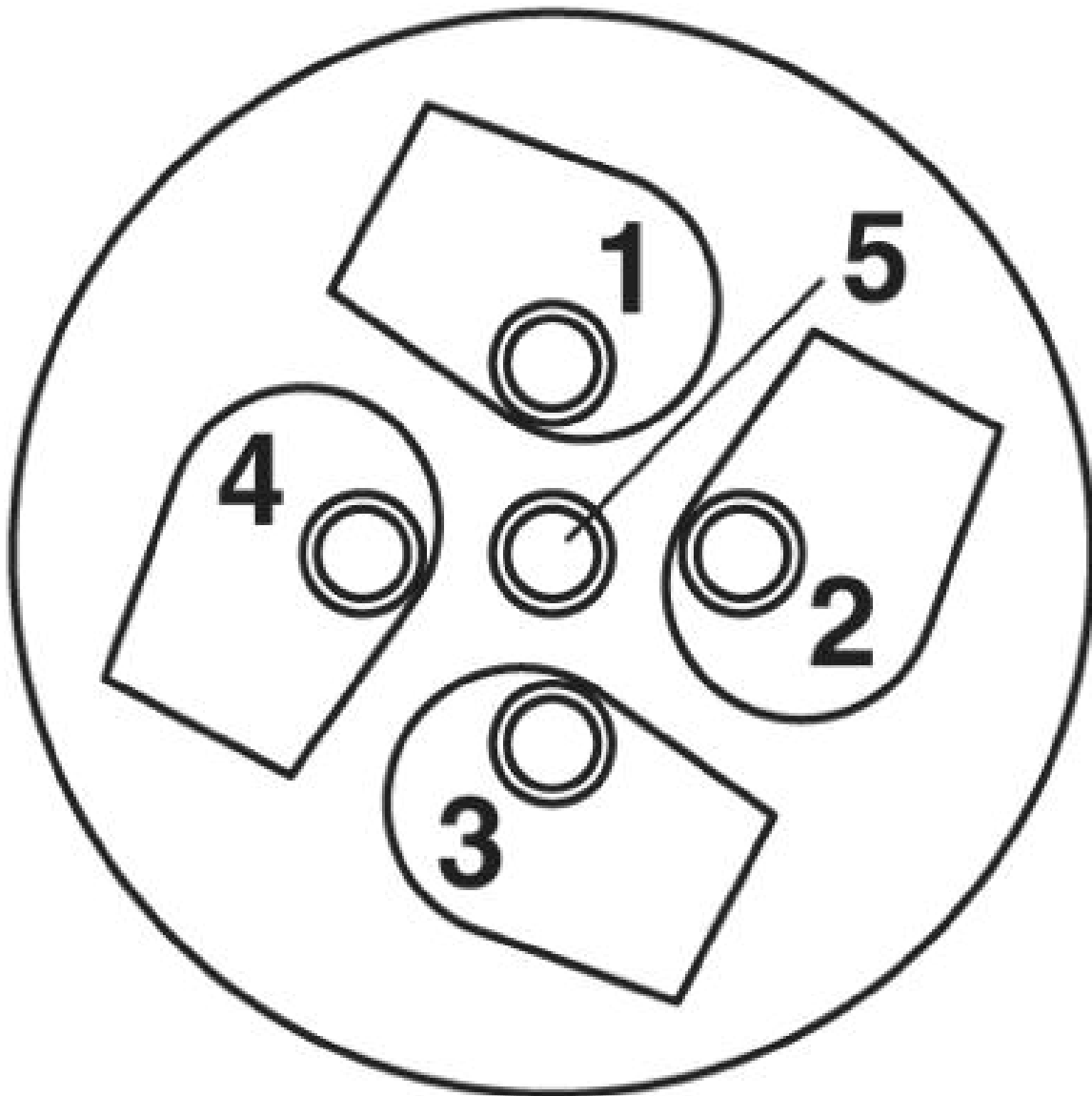
Dimensioned drawing



Plug, M12 x 1, straight, shielded

Connector - SACC-M12MS-4CON-PG 7-SH - 1693830

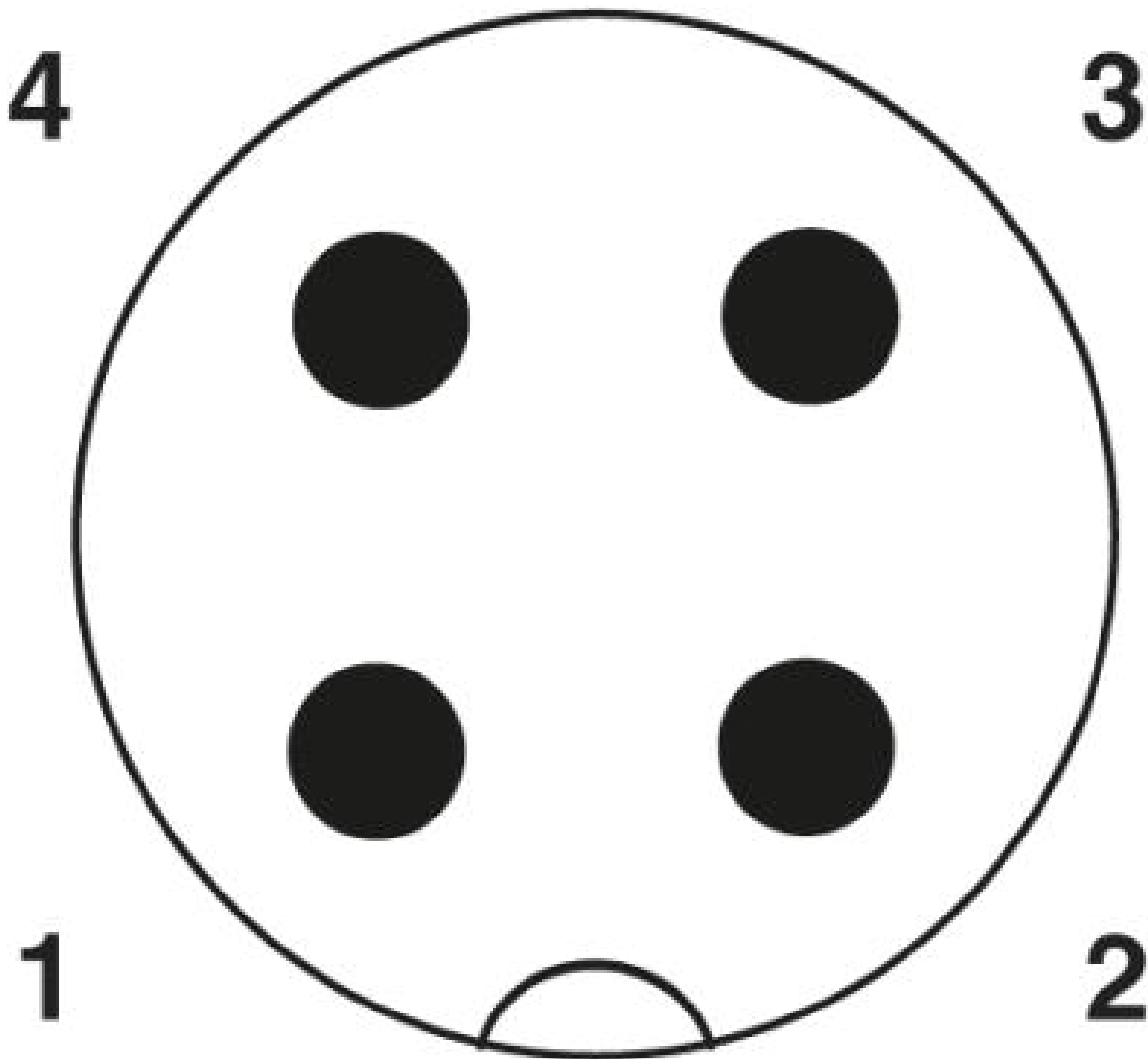
Schematic diagram



Cable connection side M12 (screw connection)

Connector - SACC-M12MS-4CON-PG 7-SH - 1693830

Schematic diagram



Pin assignment M12 plug, 4-pos., A-coded, view plug side

© Phoenix Contact 2014 - all rights reserved
<http://www.phoenixcontact.com>