

# Connector - SACC-M12FS-4CON-PG7-M - 1681127

Please be informed that the data shown in this PDF Document is generated from our Online Catalog. Please find the complete data in the user's documentation. Our General Terms of Use for Downloads are valid (<http://download.phoenixcontact.com>)



Sensor/actuator connector, female, straight, 4-pos., M12, A-coded, screw connection, metal knurl, cable screw connection Pg7

## Product Features

- Safe use in the field, thanks to a high degree of protection
- Flexible: connectors for on-site assembly
- Screw connection: proven connection technology for a large selection of different conductors

## Key commercial data

<b>package_quantity</b>	1
<b>GTIN</b>	4017918157456

## Technical data

### Dimensions

<b>External diameter</b>	4 mm ... 6 mm
--------------------------	---------------

### Ambient conditions

<b>Ambient temperature (operation)</b>	-40 °C ... 85 °C (Plug / socket)
<b>Degree of protection</b>	IP67

### General

<b>Rated current at 40°C</b>	4 A
<b>Rated voltage</b>	250 V
<b>Number of positions</b>	4
<b>Contact resistance</b>	≤ 8 mΩ
<b>Insulation resistance</b>	≥ 100 MΩ
<b>Coding</b>	A - standard
<b>Standards/regulations</b>	M12 connector IEC 61076-2-101
<b>Status display</b>	No
<b>Surge voltage category</b>	II
<b>Pollution degree</b>	3
<b>Connection method</b>	Screw connection
<b>Conductor cross section</b>	0.25 mm <sup>2</sup> ... 0.75 mm <sup>2</sup>
<b>AWG conductor cross section</b>	24 ... 18
<b>Insertion/withdrawal cycles</b>	≥ 100
<b>Torque</b>	0.4 Nm (M12 knurl)

# Connector - SACC-M12FS-4CON-PG7-M - 1681127

## Technical data

### General

<b>Torque</b>	0.2 Nm (Screw terminal blocks)
<b>Torque</b>	0.8 Nm ... 1 Nm (Pressure screw)
<b>Tightening torque</b>	Screw plug insert with sleeve housing as far it will go
<b>Assembly instructions</b>	The wires can be connected both with ferrules and without ferrules

### Material

<b>Inflammability class according to UL 94</b>	HB
<b>Contact material</b>	CuZn
<b>Contact surface material</b>	CuSnZn
<b>Contact carrier material</b>	PA 66
<b>Material of grip body</b>	PBT
<b>Material, knurls</b>	Zinc die-cast, nickel-plated
<b>Sealing material</b>	NBR

## classifications

### eCl@ss

<b>eCl@ss 4.0</b>	27140815
<b>eCl@ss 4.1</b>	27140815
<b>eCl@ss 5.0</b>	27260701
<b>eCl@ss 5.1</b>	27260701
<b>eCl@ss 6.0</b>	27279221
<b>eCl@ss 7.0</b>	27440104
<b>eCl@ss 8.0</b>	27440104

### ETIM

<b>ETIM 2.0</b>	EC001121
<b>ETIM 3.0</b>	EC002062
<b>ETIM 4.0</b>	EC002062
<b>ETIM 5.0</b>	EC002062

### UNSPSC

<b>UNSPSC 6.01</b>	31251501
<b>UNSPSC 7.0901</b>	31251501
<b>UNSPSC 11</b>	31251501
<b>UNSPSC 12.01</b>	31251501
<b>UNSPSC 13.2</b>	31251501

## approvals

---


UL Recognized / cUL Recognized / GOST / cULus Recognized /

---

### Approval details


# Connector - SACC-M12FS-4CON-PG7-M - 1681127

approvals

UL Recognized 

cUL Recognized 

GOST 

cULus Recognized 

accessories

**Seal**

SACC-M12-SET/2,5-3,5 - 1436505



**Torque tool**

TSD 04 SAC - 1208429



TSD-M 1,2NM - 1212224



## Connector - SACC-M12FS-4CON-PG7-M - 1681127

accessories

### Screwdriver tools

TSD-M SAC-BIT ADAPTER - 1212600



SACC BIT M12-D20 - 1208445



### Protective cap

PROT-M12 MS-PA-CHAIN - 1430899



### Cable by the meter

SAC-4P-100,0-PUR/0,25 - 1501692



SAC-4P-100,0-PUR/0,34 - 1501663



## Connector - SACC-M12FS-4CON-PG7-M - 1681127

accessories

SAC-4P-100,0-186/0,75 - 1457461



---

### Connector

A 0,25- 5 - 3202465



---

### Crimping tool

CRIMPFOX 6H - 1212046

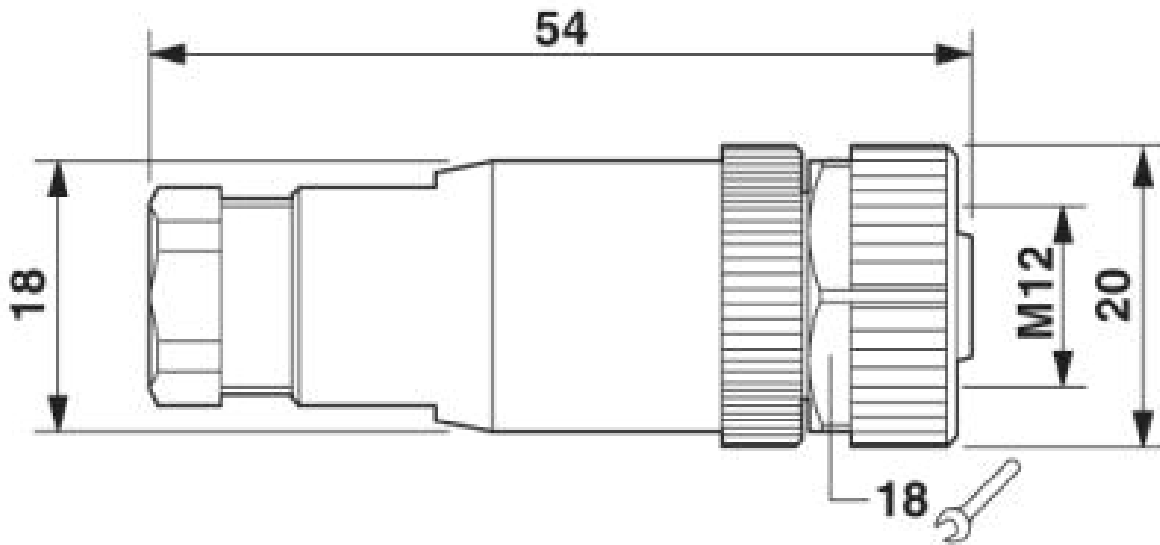


---

### Drawings

# Connector - SACC-M12FS-4CON-PG7-M - 1681127

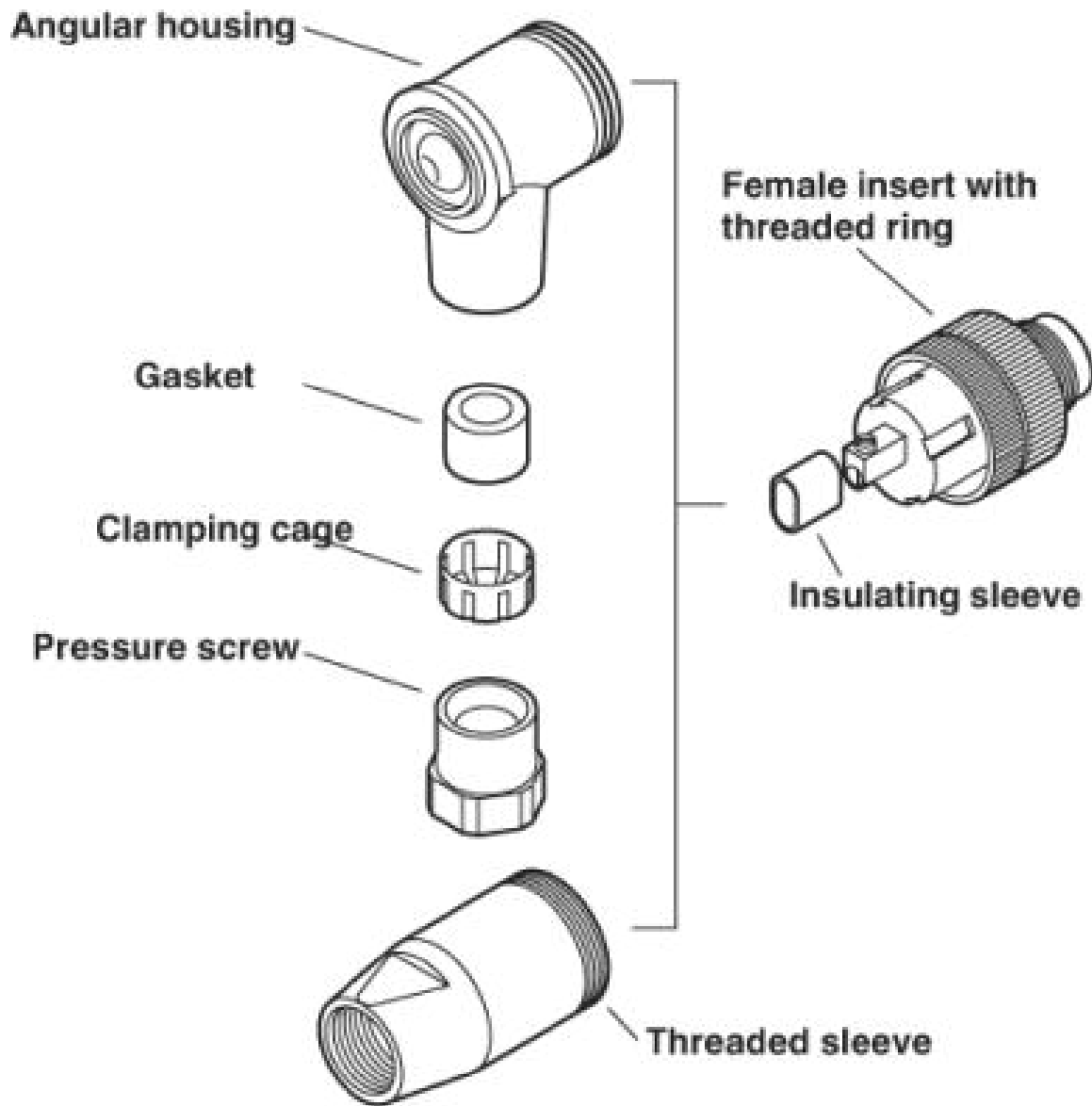
Dimensioned drawing



M12 x 1 socket, straight

# Connector - SACC-M12FS-4CON-PG7-M - 1681127

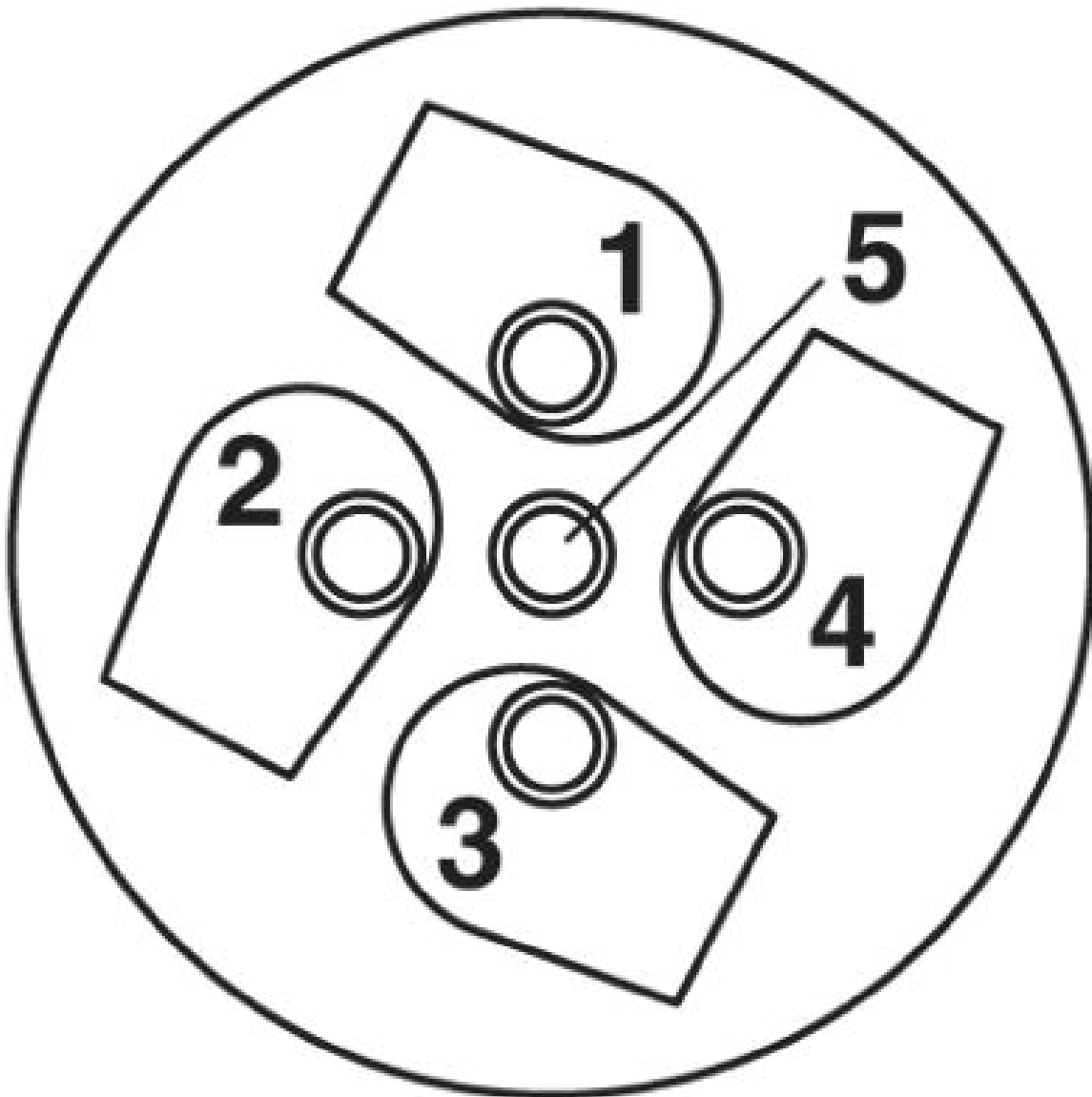
Schematic diagram



Male/Female M12

# Connector - SACC-M12FS-4CON-PG7-M - 1681127

Schematic diagram

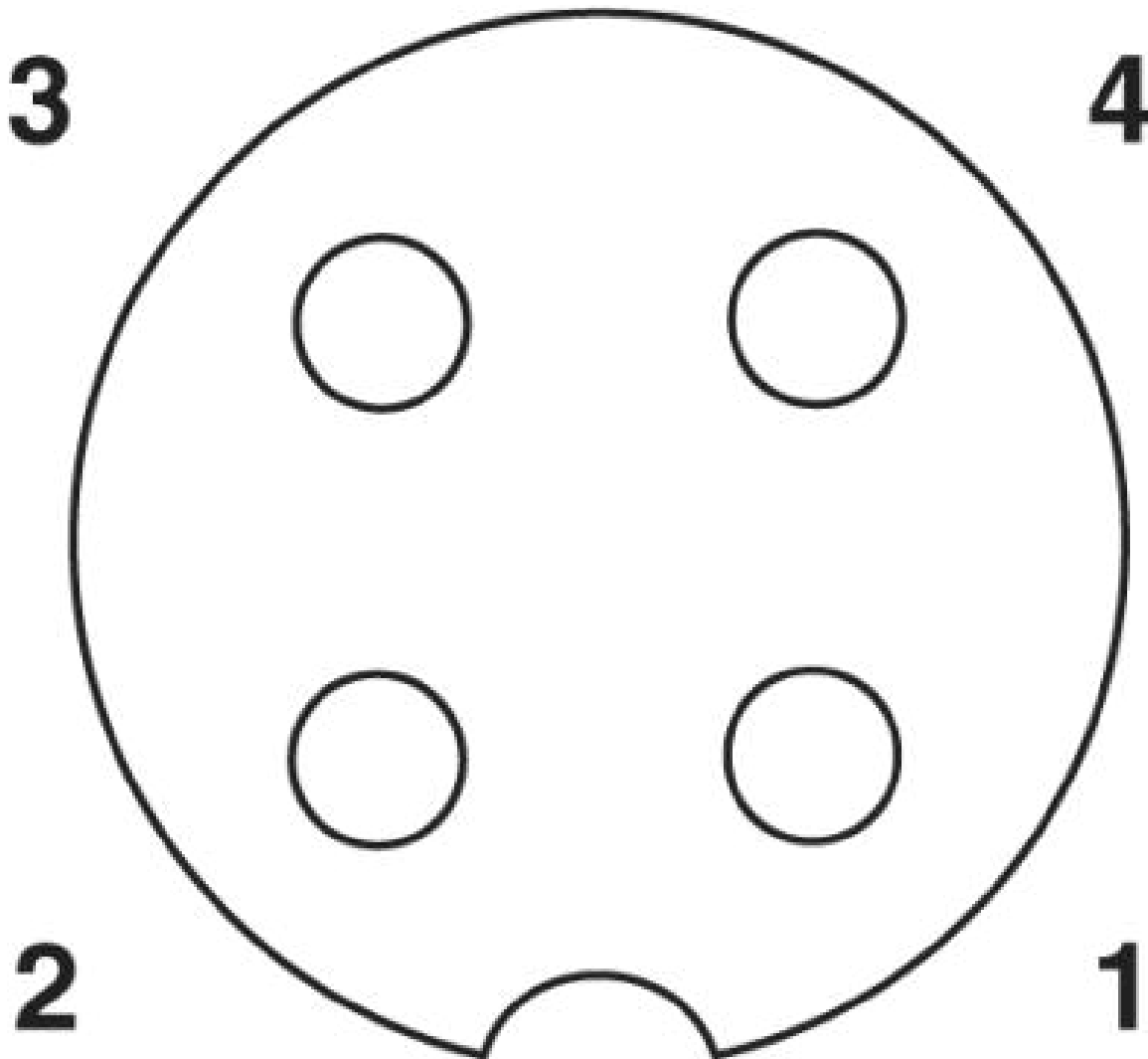


Cable connection side M12 (screw connection)



## Connector - SACC-M12FS-4CON-PG7-M - 1681127

Schematic diagram



Pin assignment M12 socket, 4-pos., A-coded, view female side

© Phoenix Contact 2014 - all rights reserved  
<http://www.phoenixcontact.com>